

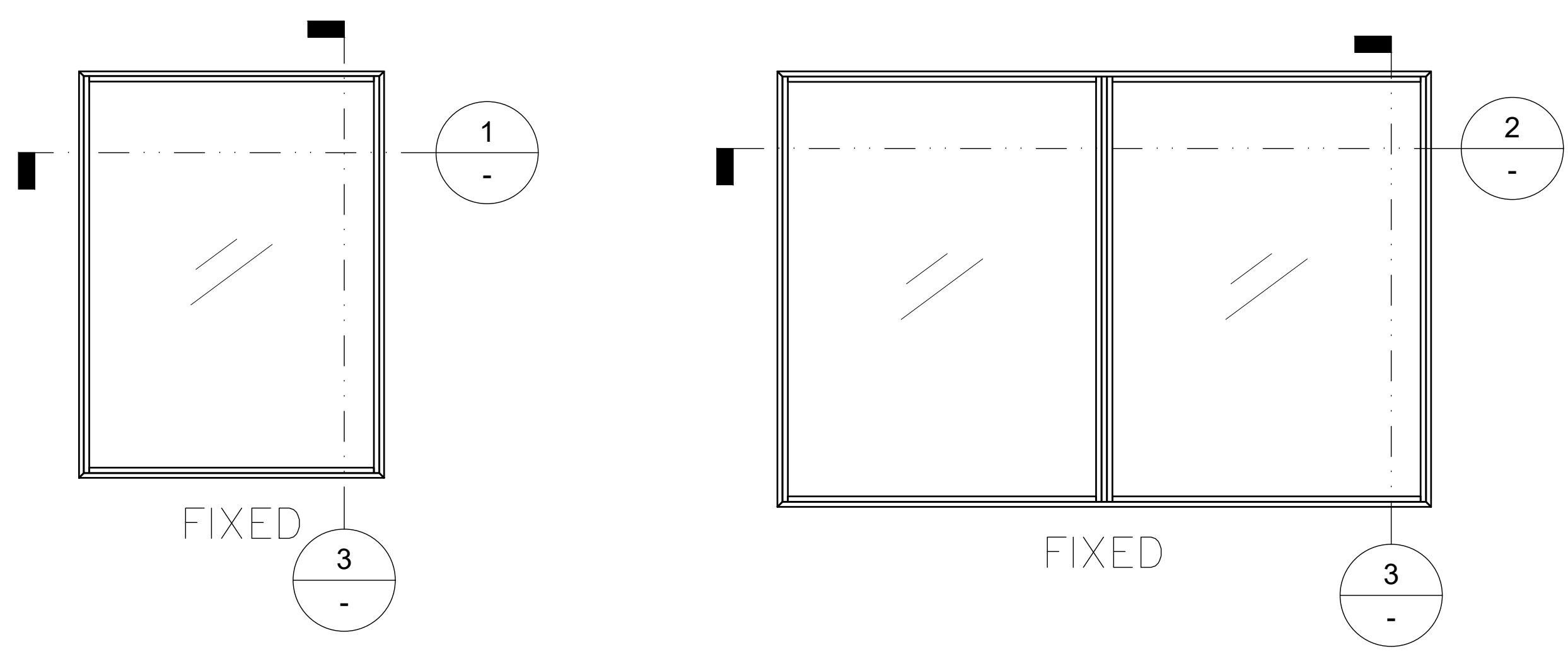
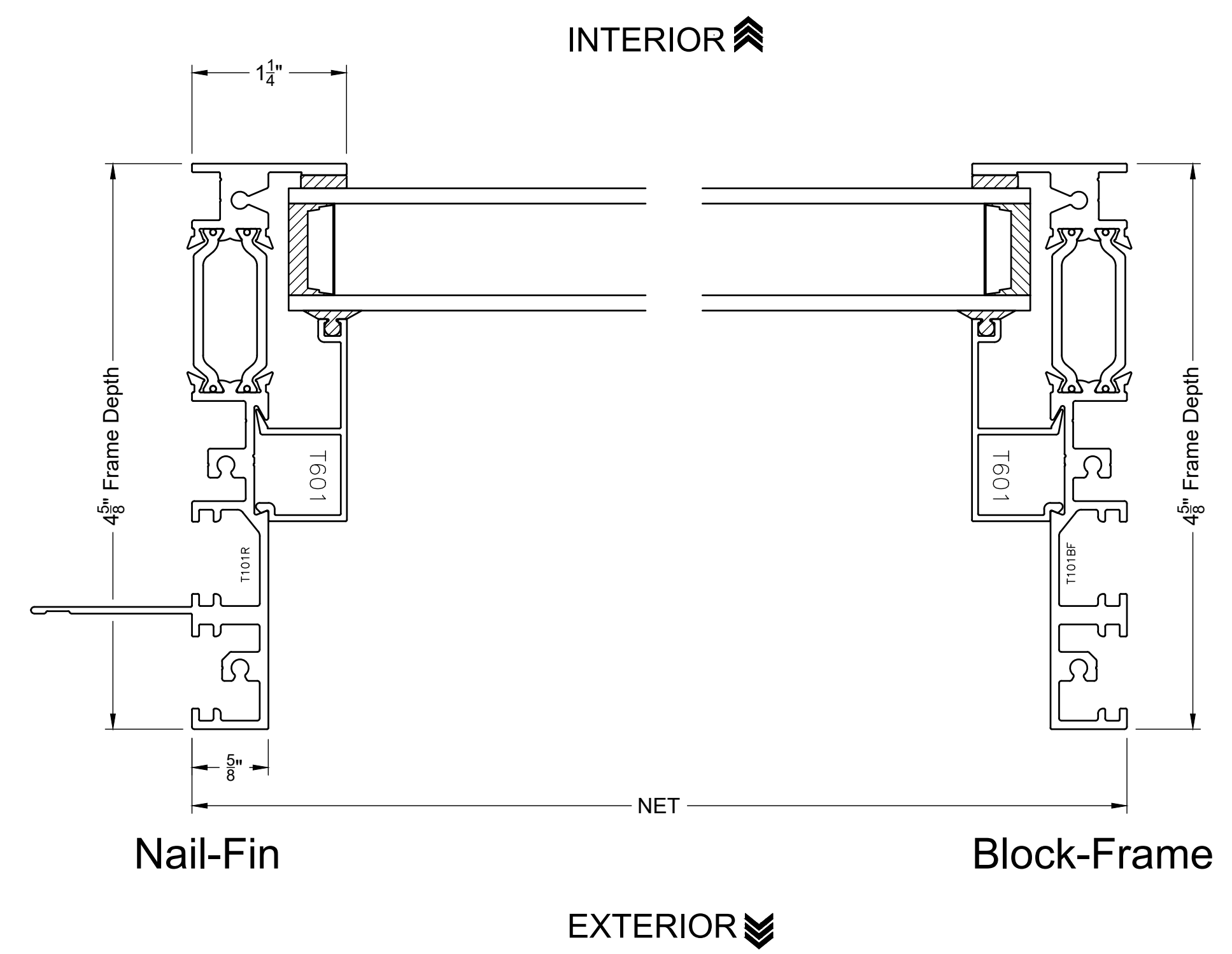
1

Scale 1:1

FIXED FRAME

NTS

Nailfin and Block-Frame Available for All Window Options

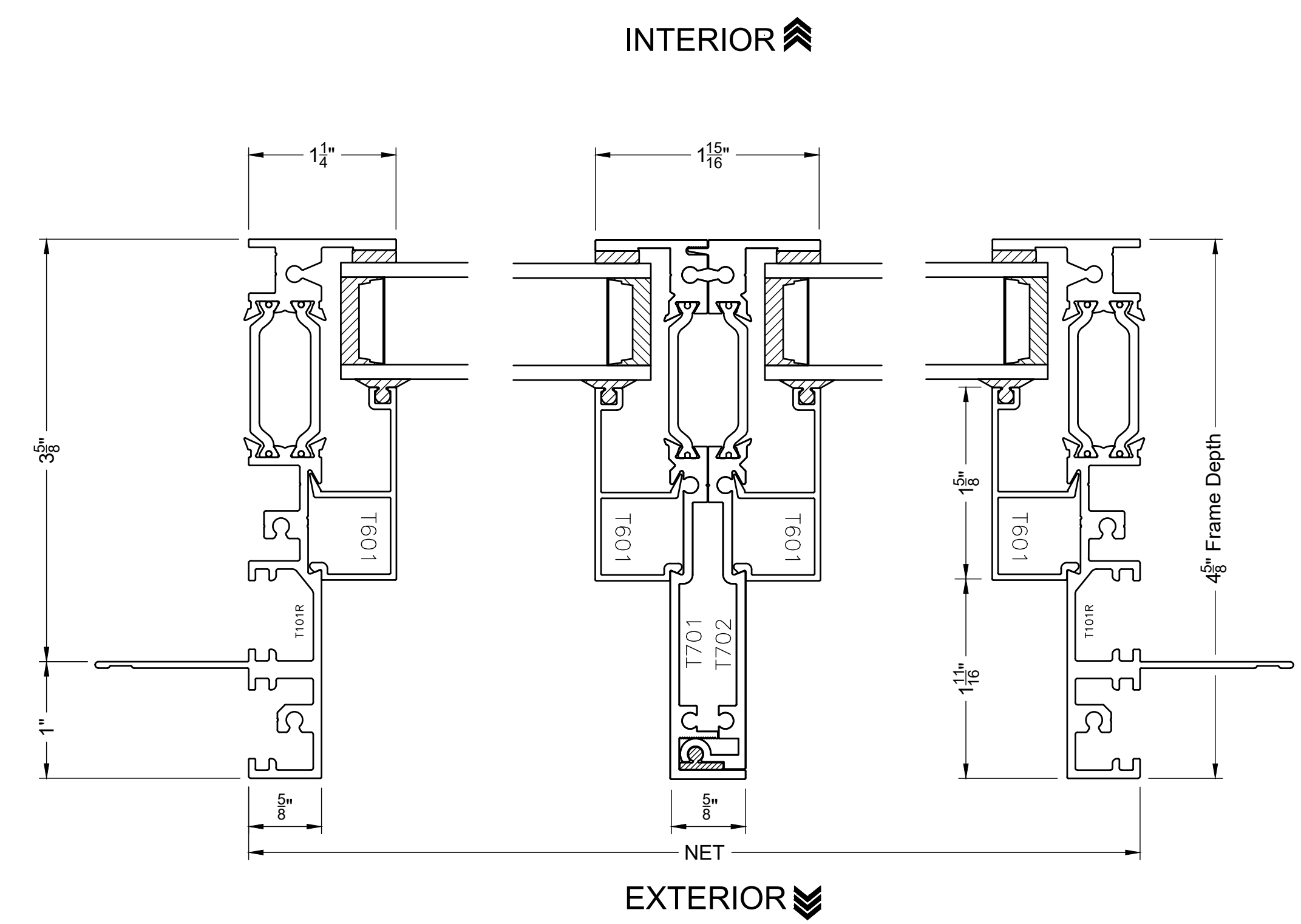


3

Scale 1:1

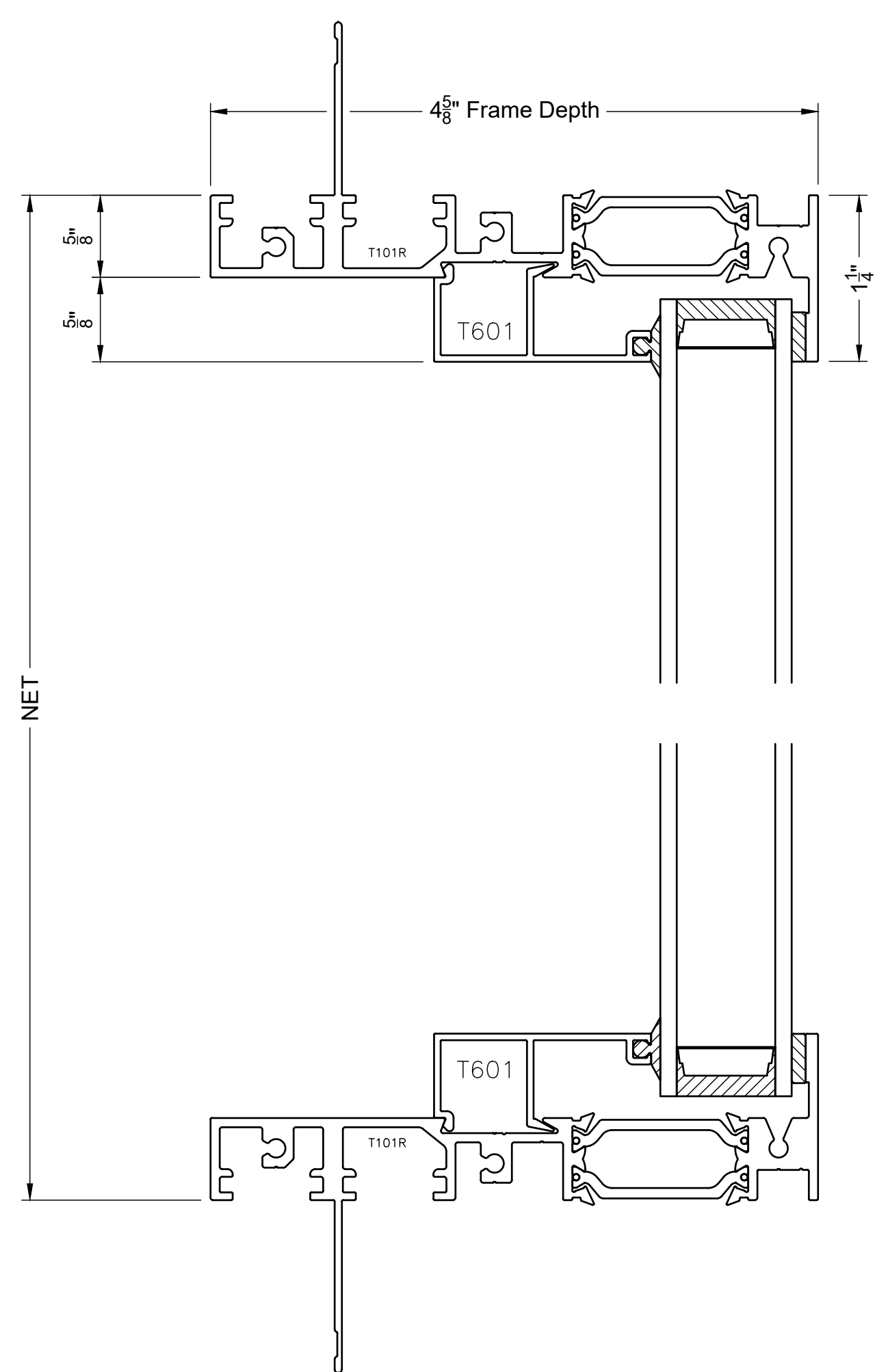
2

Scale 1:1



EXTERIOR

INTERIOR



VER.	DATE	CHANGE OR ADDITION
5/23/23		

DRAWN BY: SD Team

BLOMBERG

1

Scale: 1"=1"
Typical Details

PLOT DATE 8/22/2023
16/36

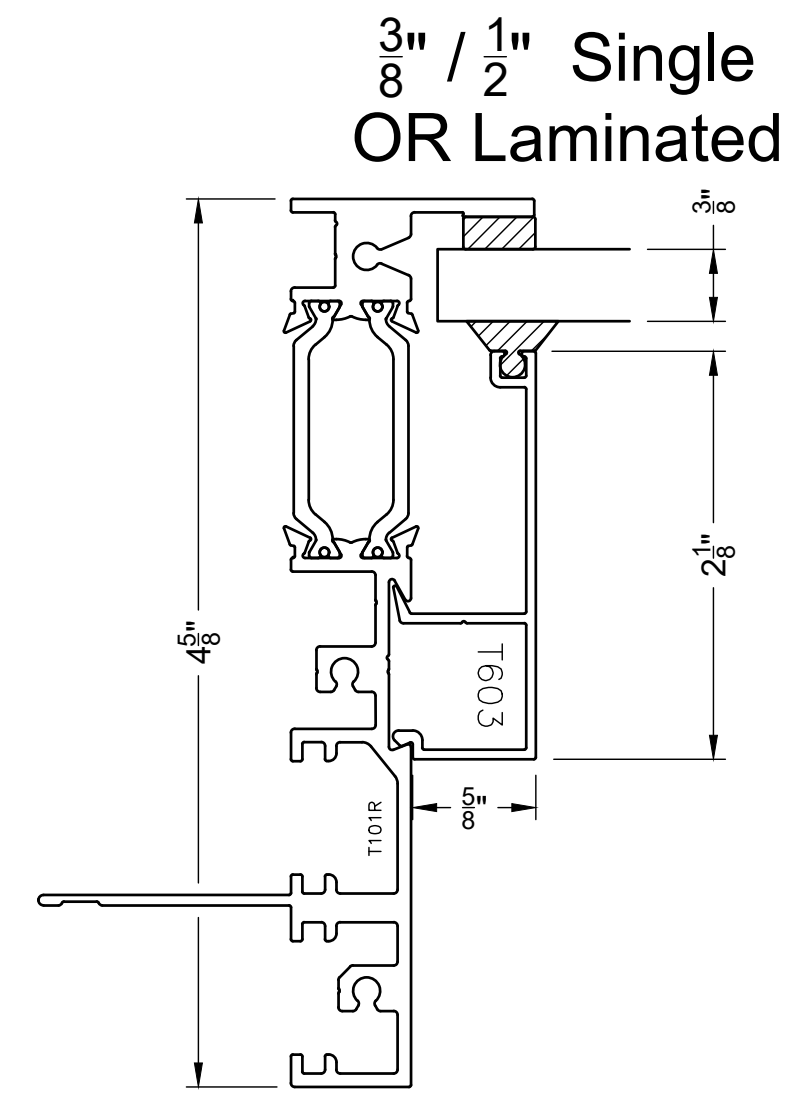
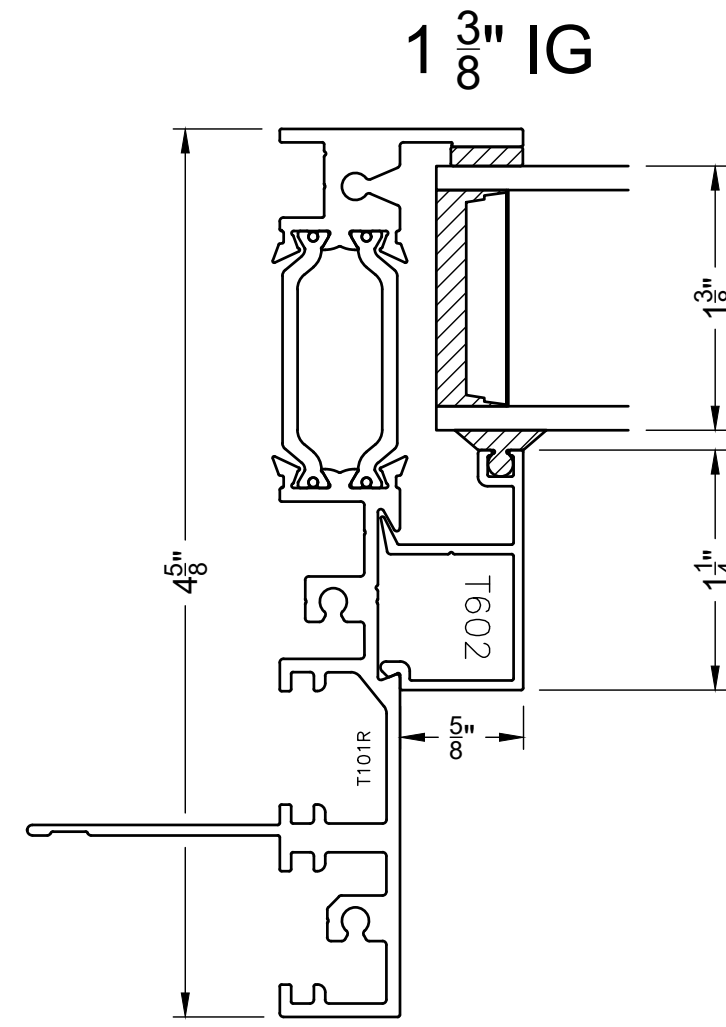
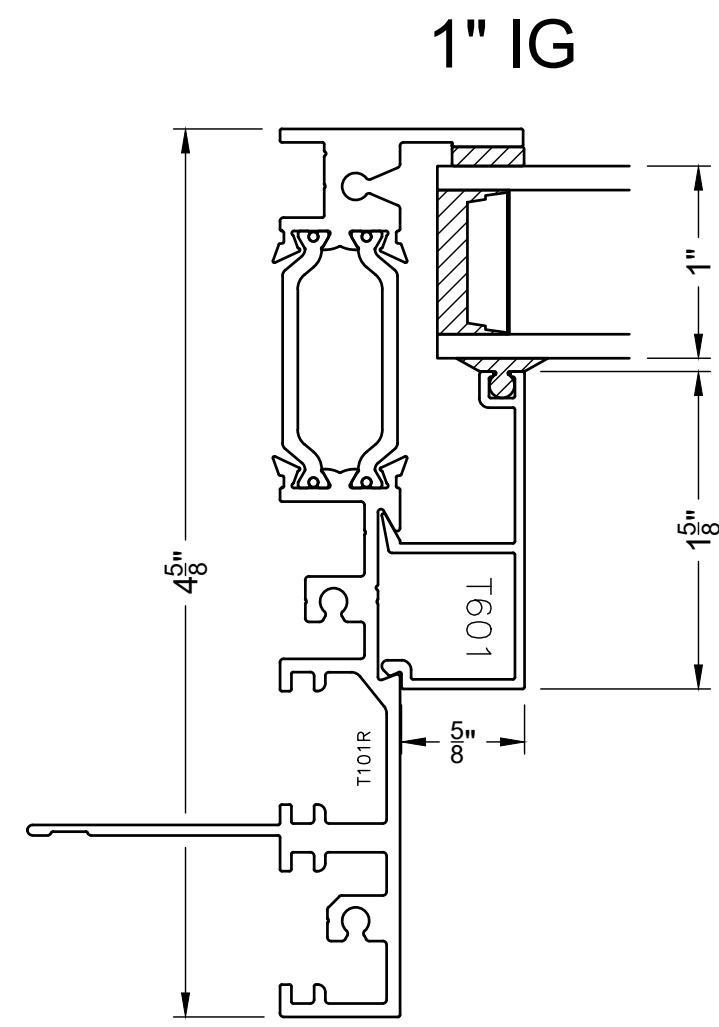
GLAZING OPTIONS

Scale 1:1

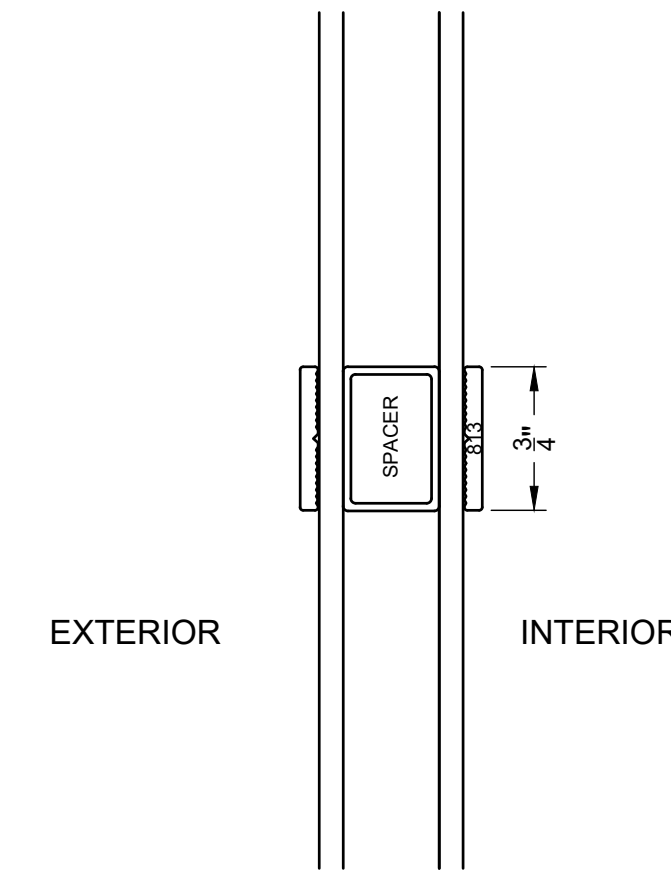
2

SIMULATED DIVIDED LITE OPTIONS

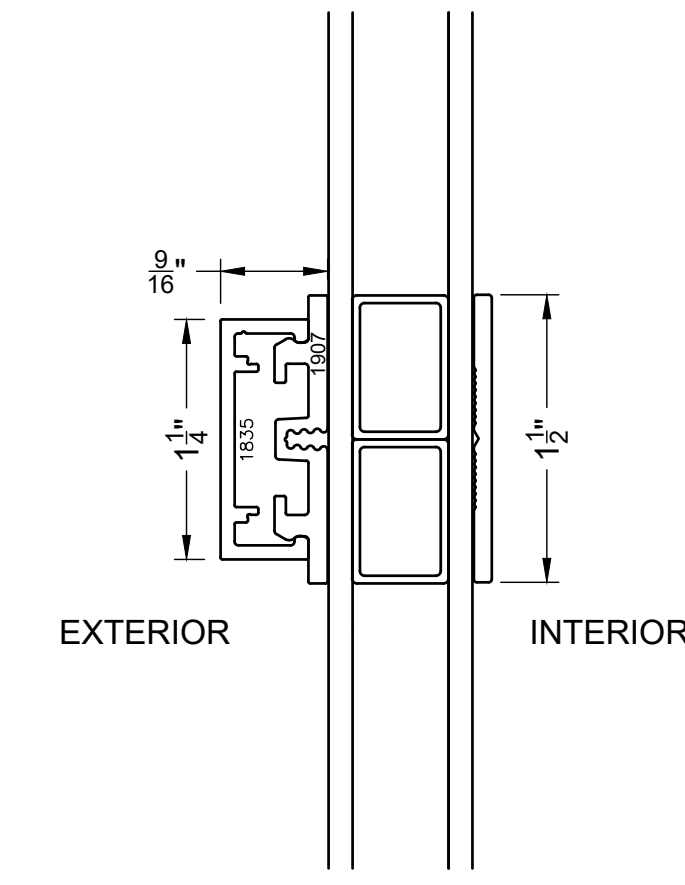
Scale 1:1



Flat - on - Flat



Stepped - on - Flat



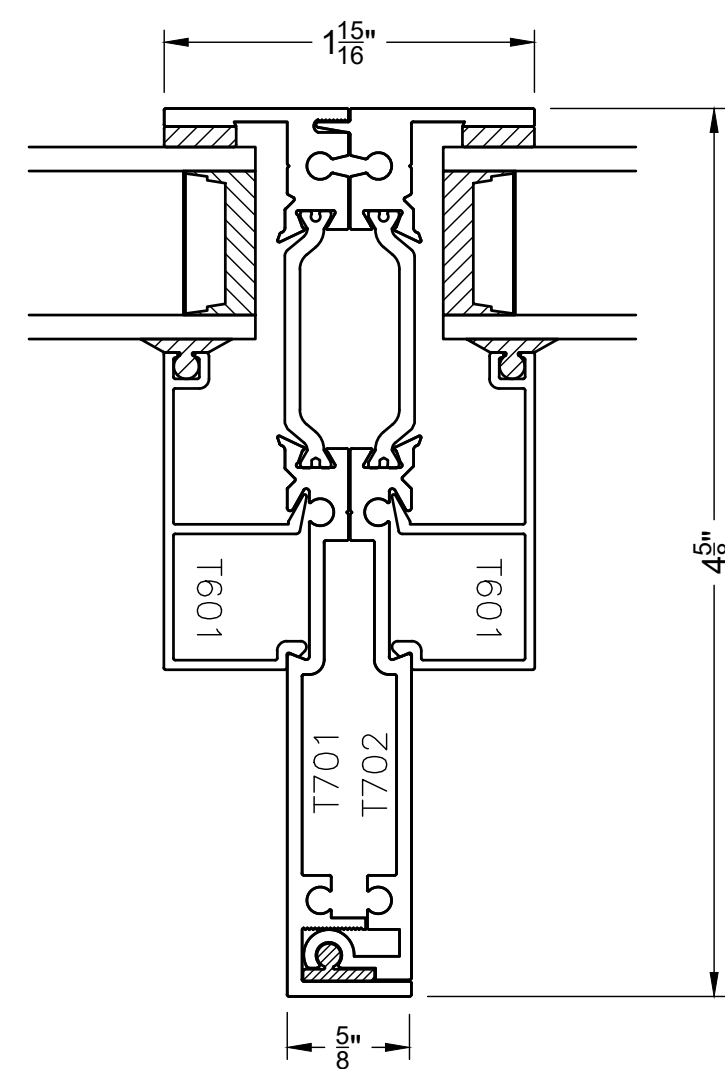
All Sizes NET,
1/4" Shim / RO BY OTHERS
Elevations Not To Scale

3

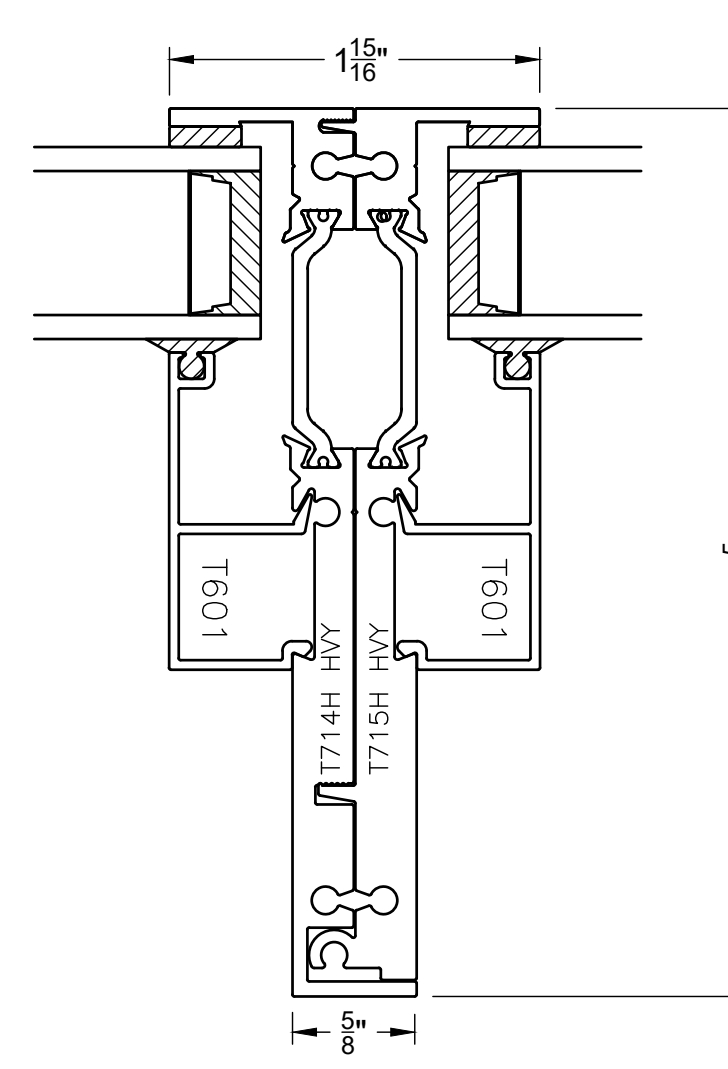
MULLION OPTIONS

Scale 1:1

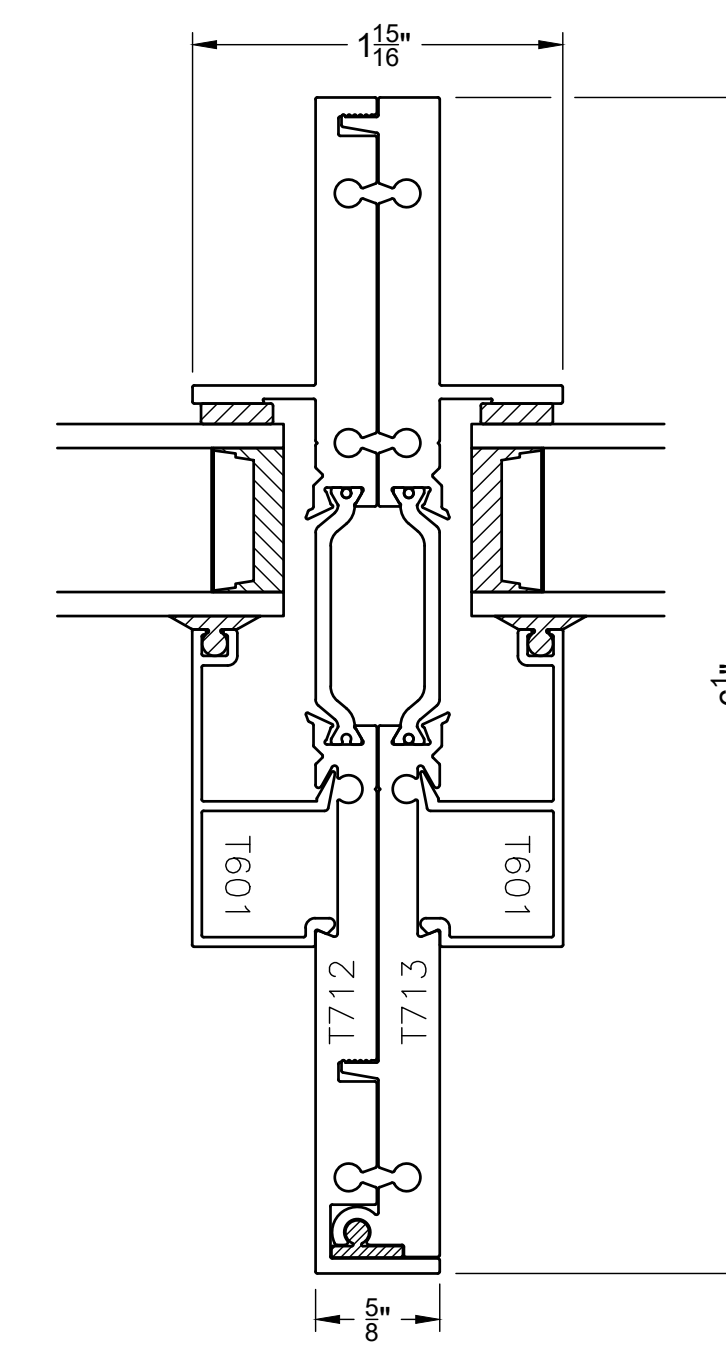
2 PART
(Standard)



2 PART SOLID



T600



VER.	DATE	CHANGE OR ADDITION
5/23/23		

DRAWN BY: SD Team

BLOMBERG

2

PLOT DATE 8/22/2023
16/36

Scale: 1"=1"
Typical Details

© Shared drive Drafting Department/Weekly Update 2023/1450 and T600 Revised 2024.dwg

ELEVATION

NTS

1

FIXED

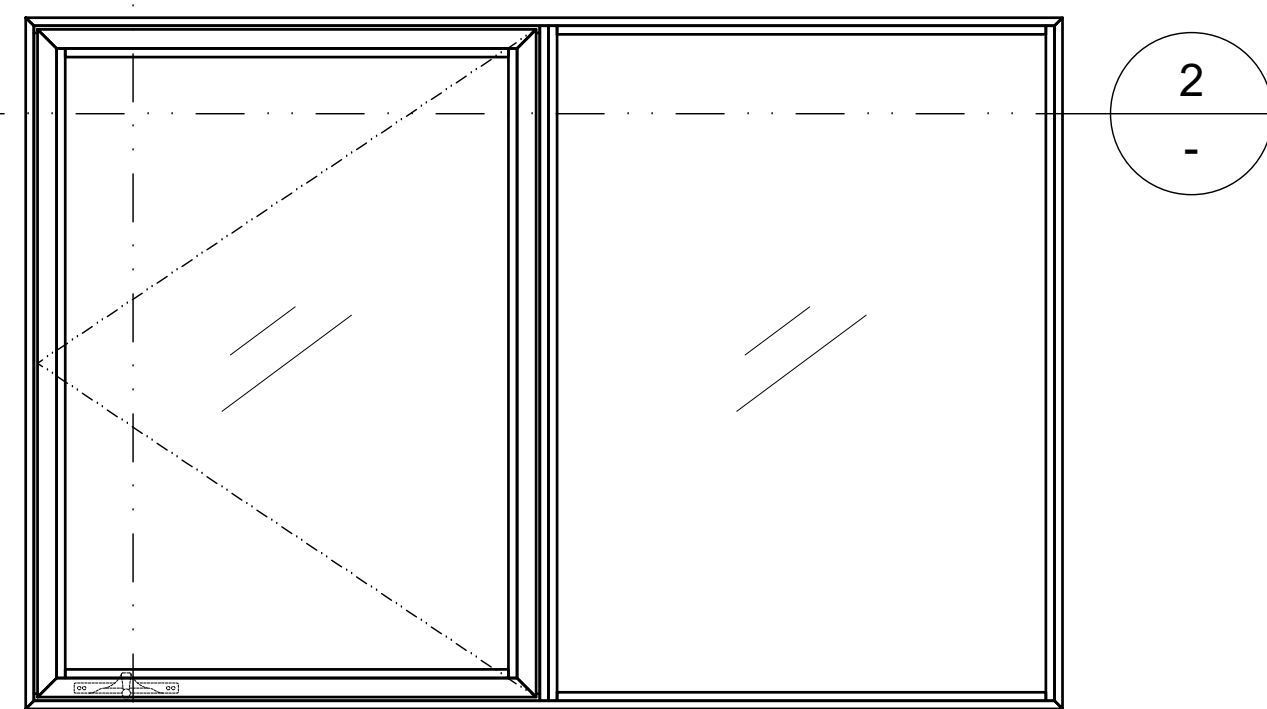
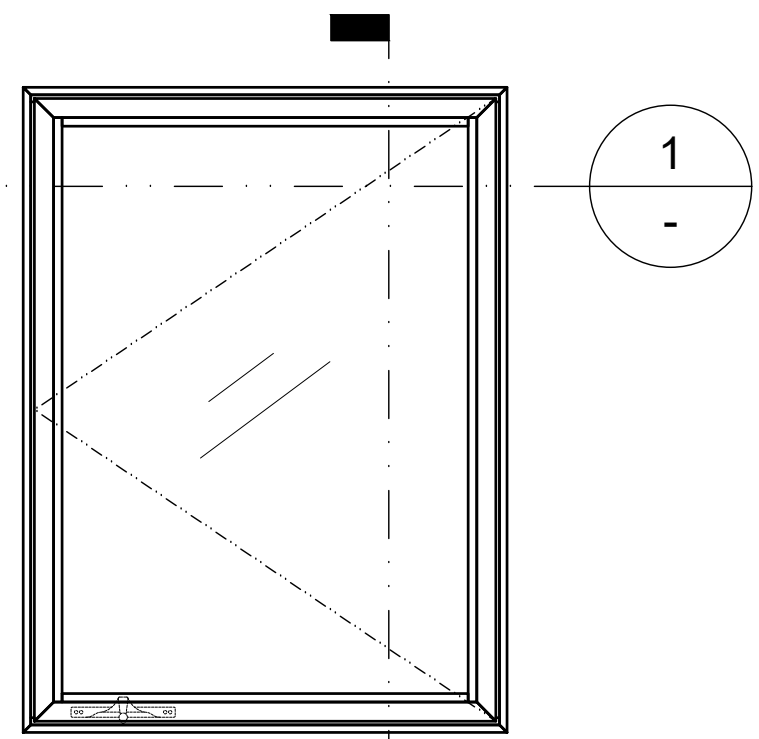
Scale 1:1

3

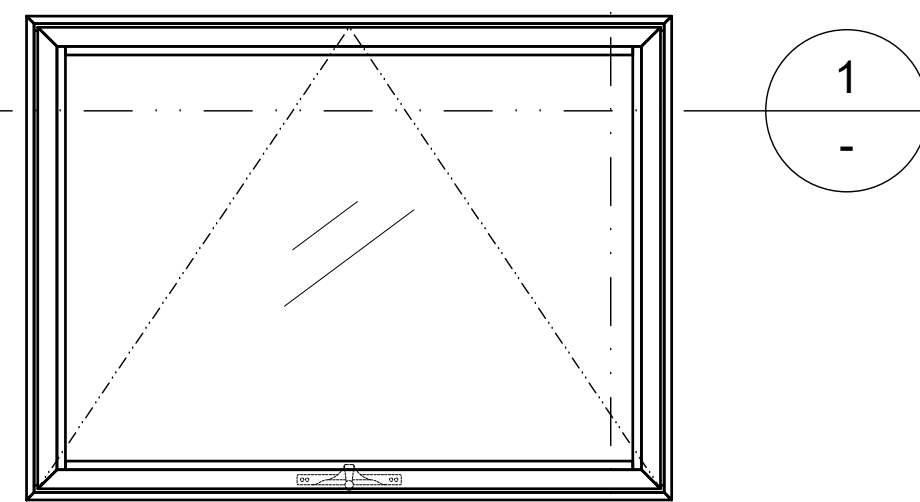
CASEMENT

Scale 1:1

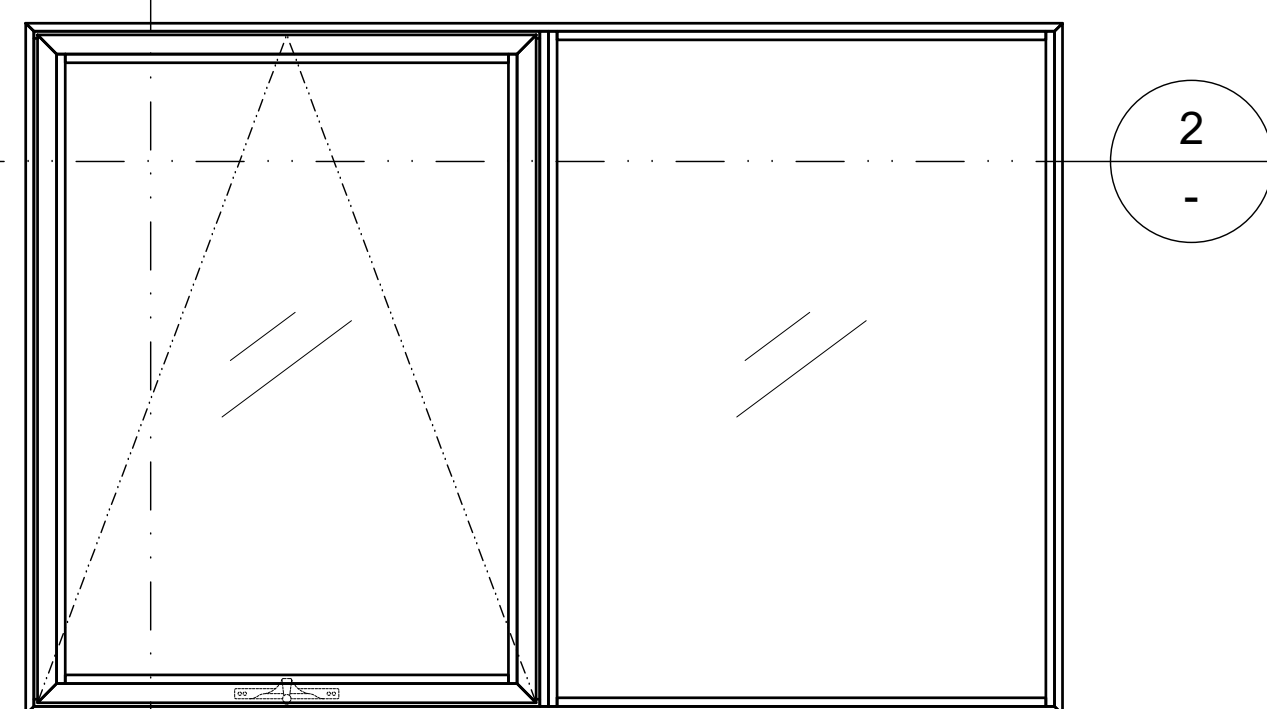
CASEMENT



CASEMENT - FIXED

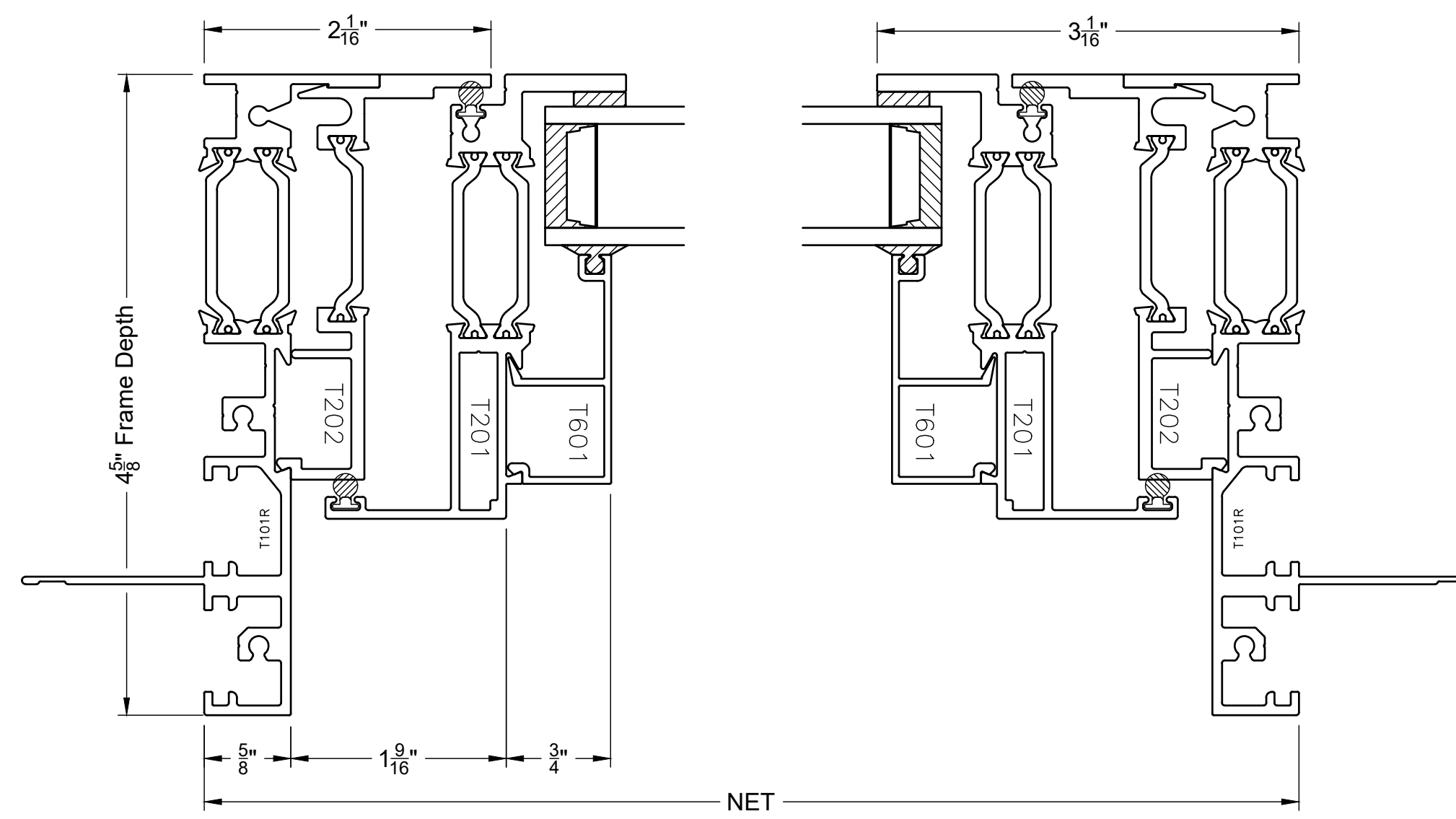


AWNING



AWNING - FIXED

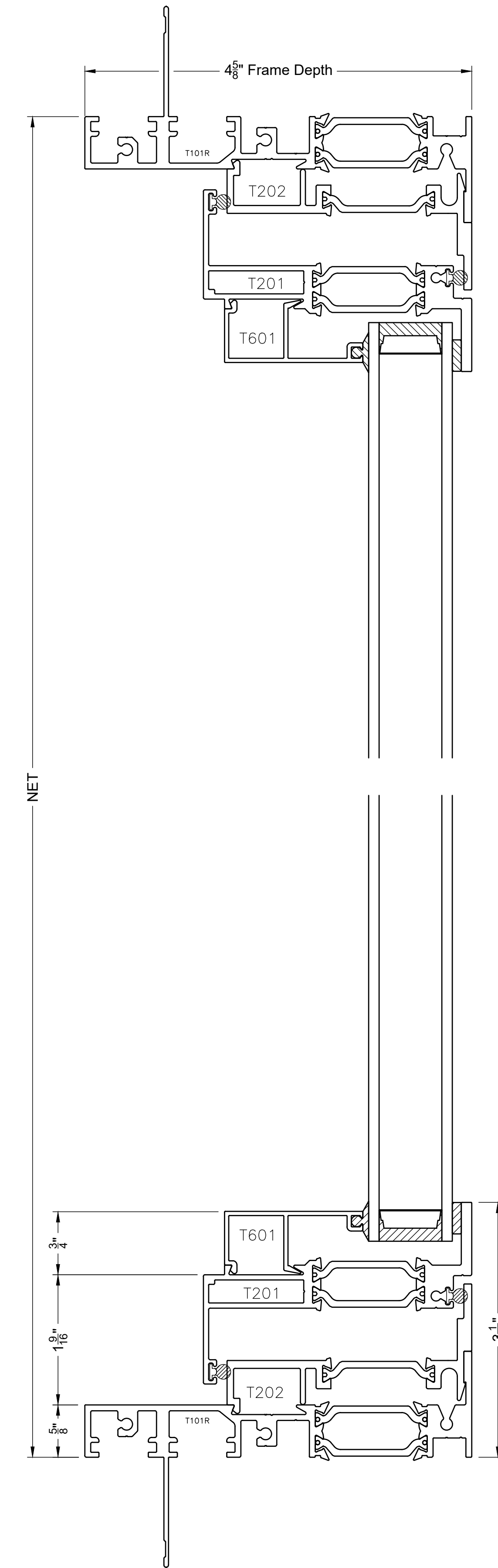
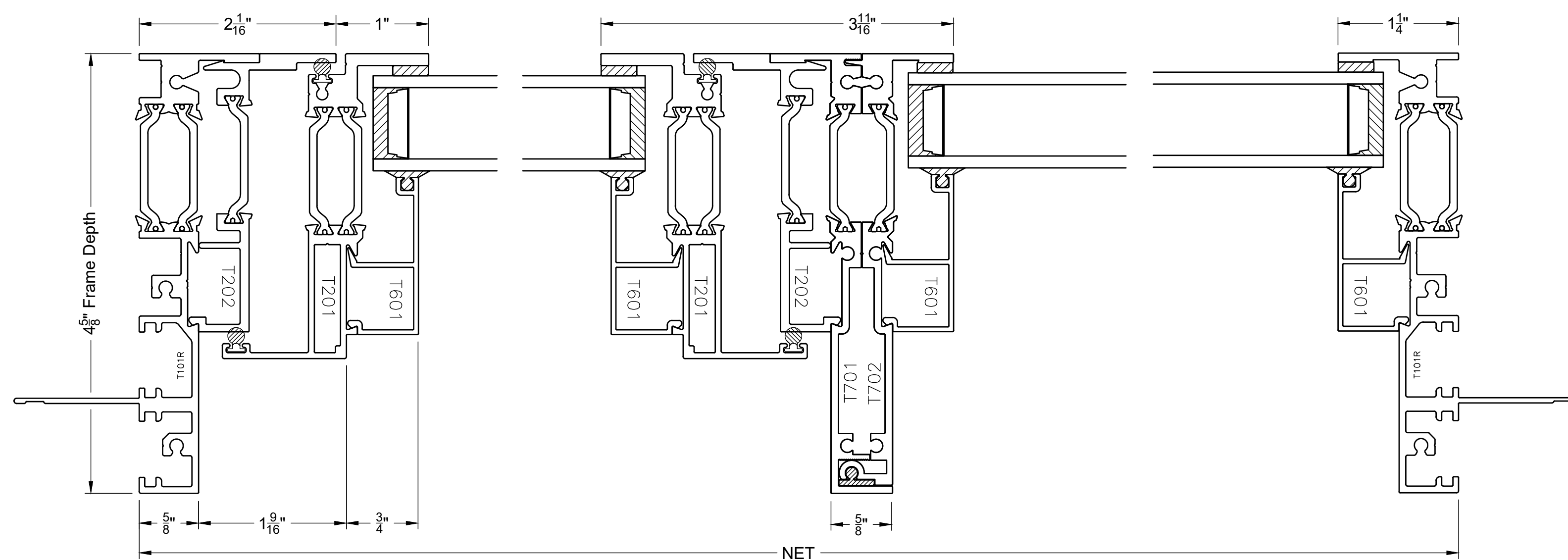
*Hardware location only shown on exterior elevations.



2

FIXED & CASEMENT / AWNING

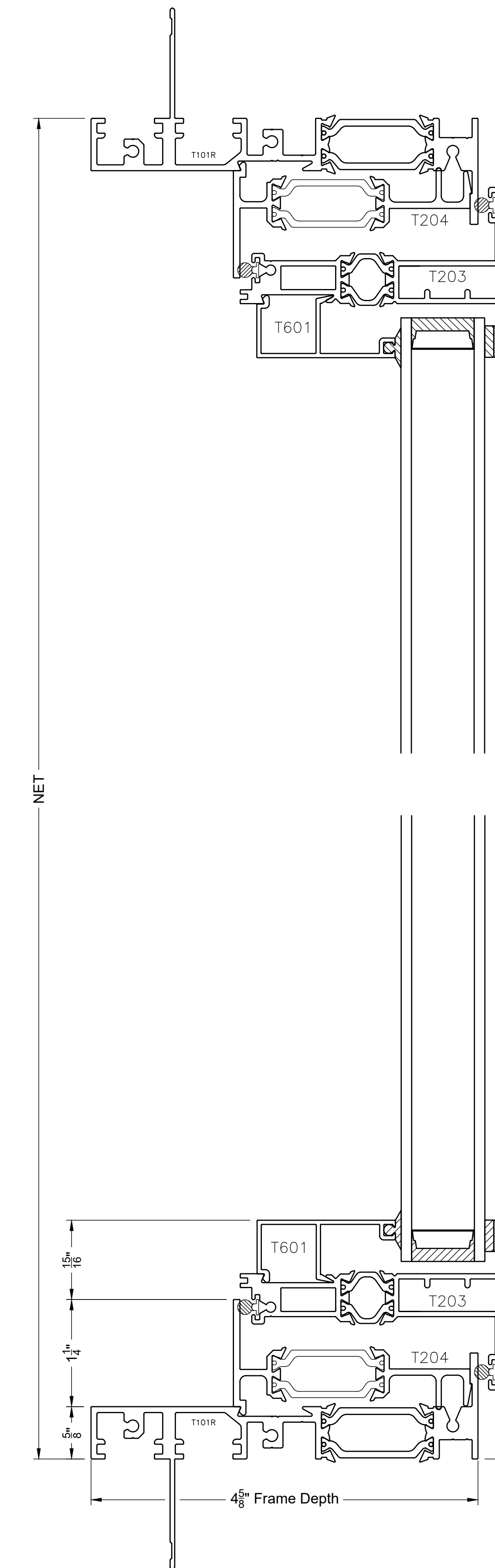
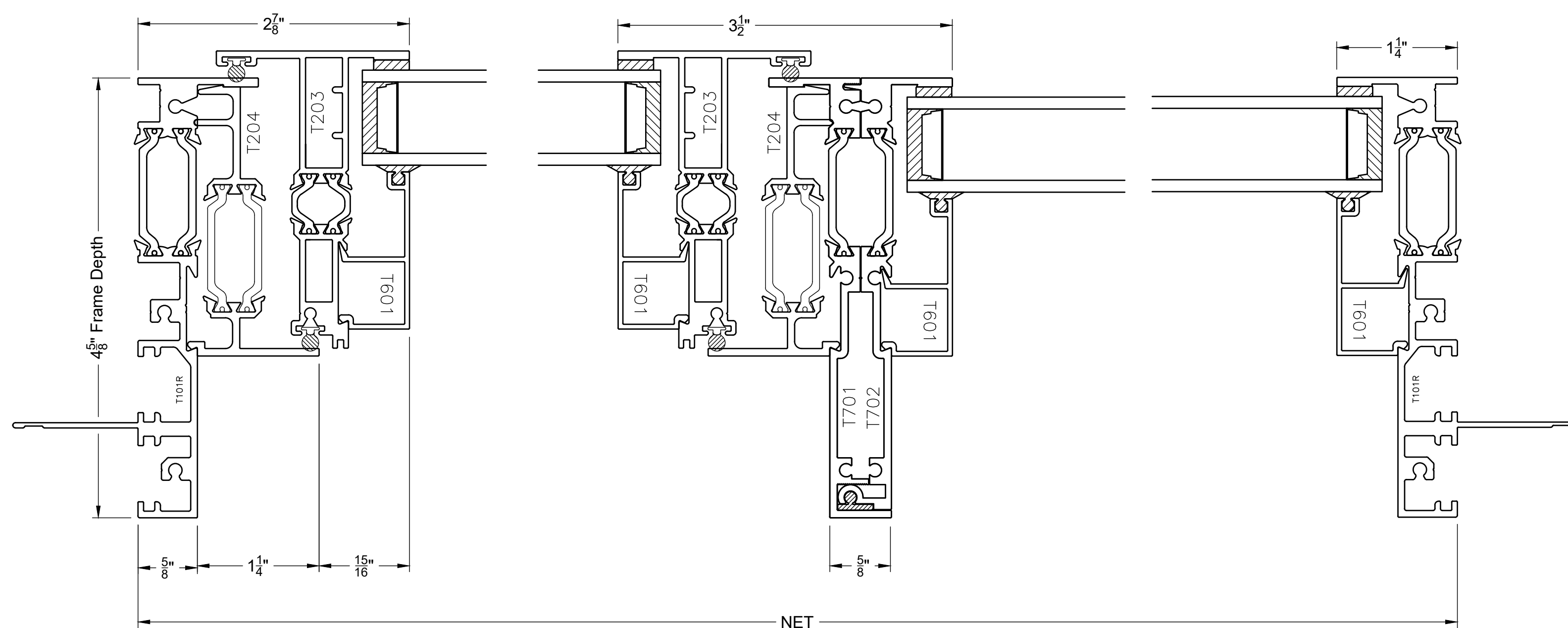
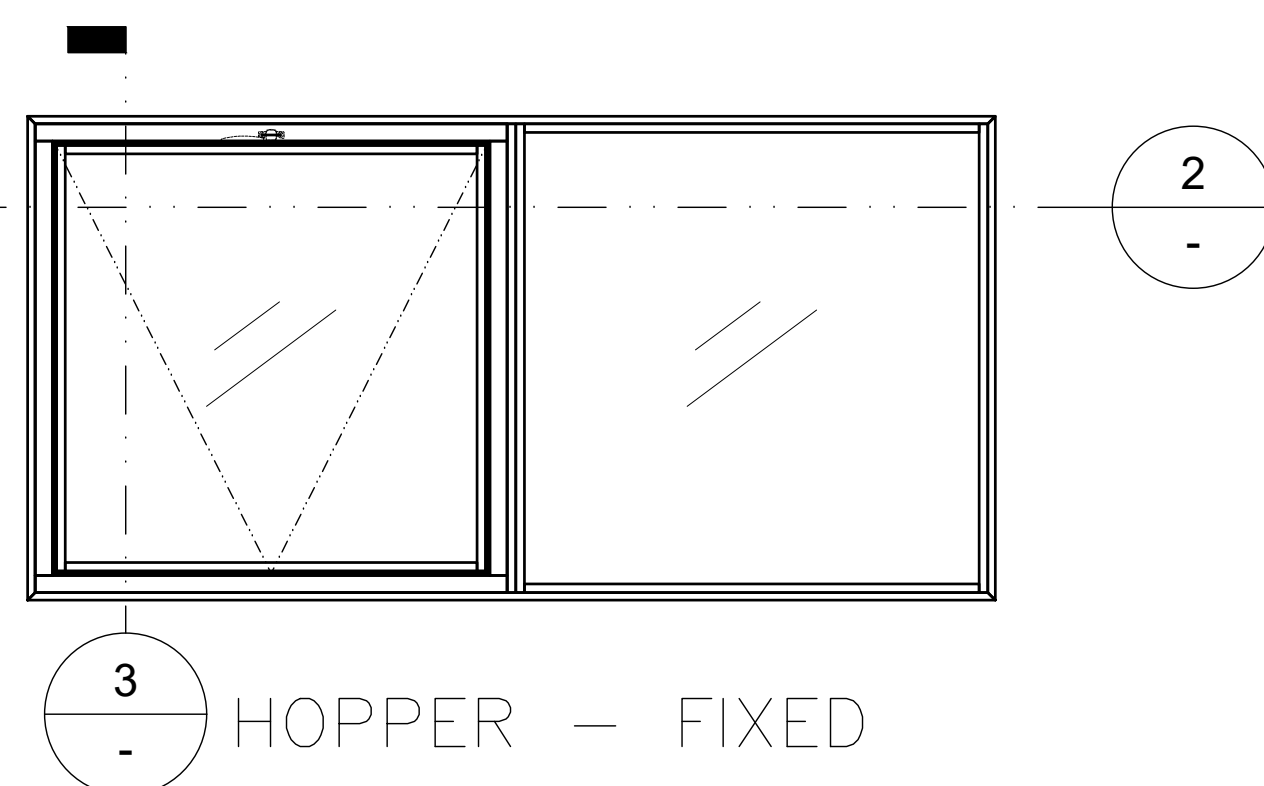
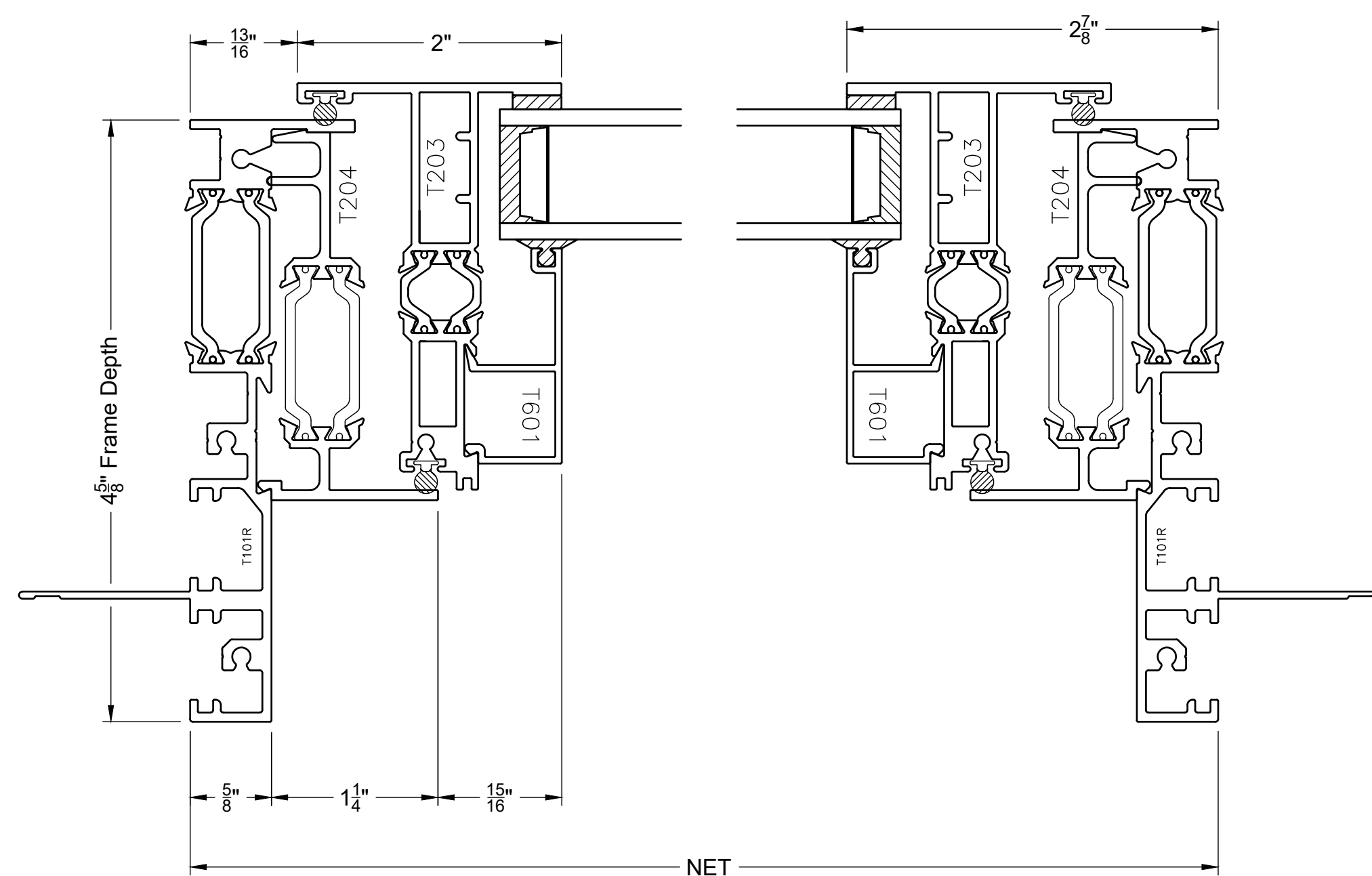
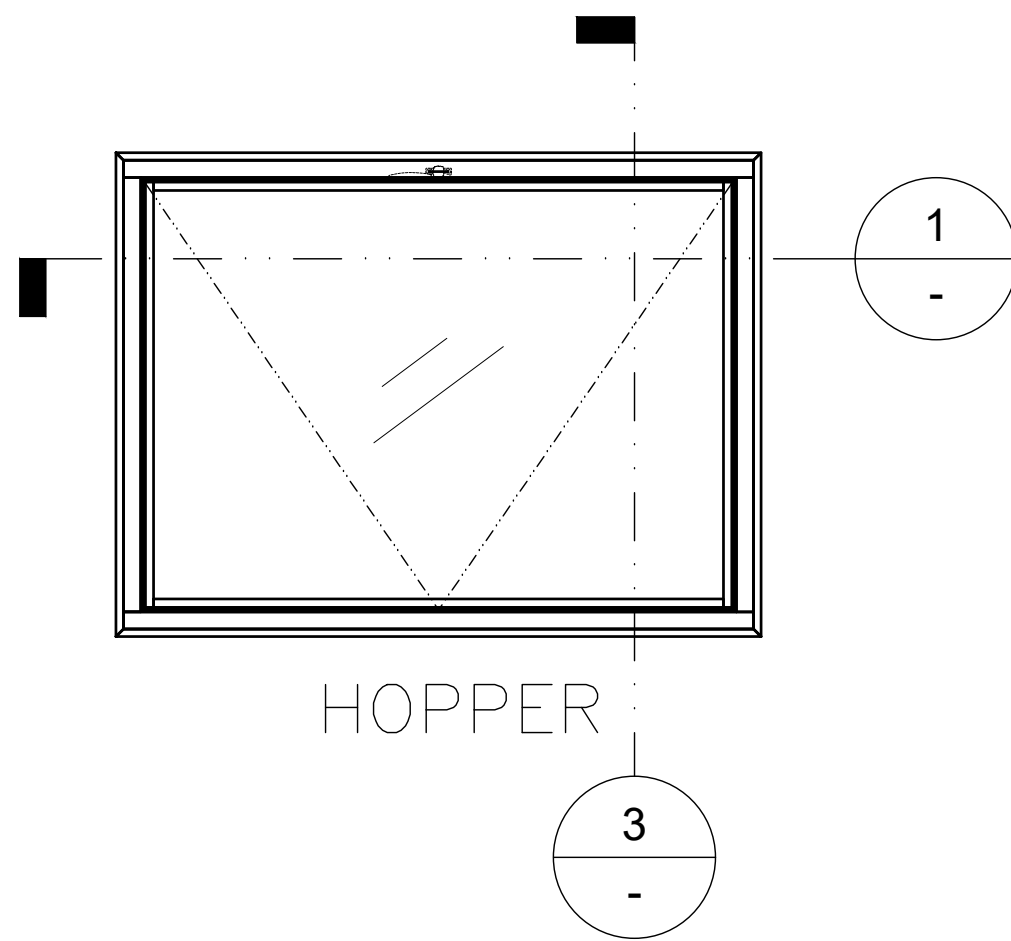
Scale 1:1



Scale: 1"=1"
Typical Details

T450 REVISED

VER.	DATE	CHANGE OR ADDITION
5/23/23		



*Hardware location only shown on exterior elevations.

Scale: 1"=1"
Typical Details

T450 REVISED

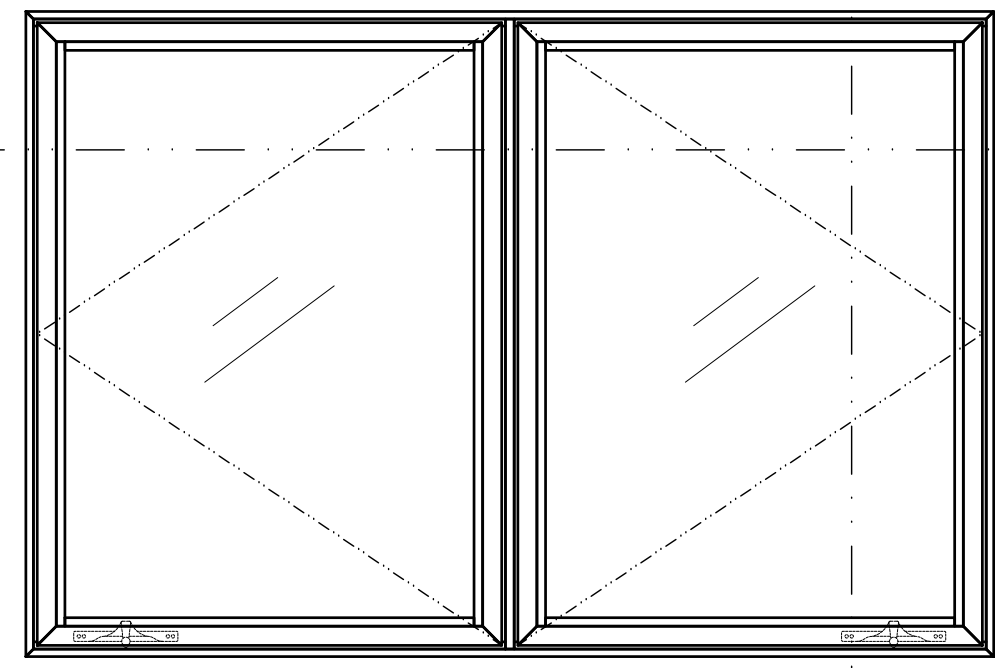
VER.	DATE	CHANGE OR ADDITION
	5/23/23	

DRAWN BY: SD Team

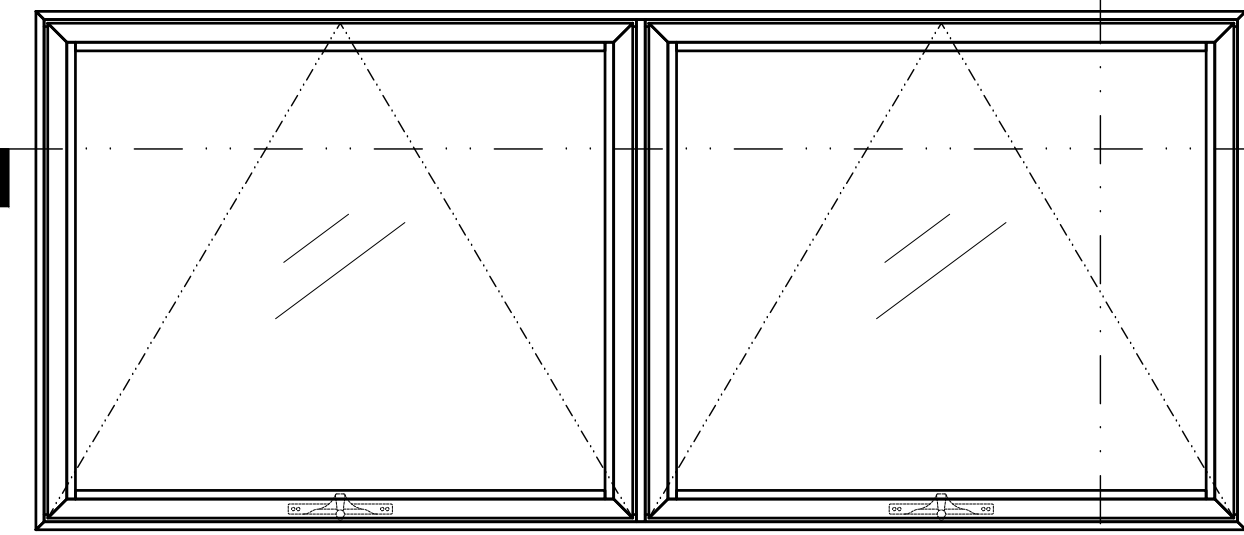
BLOMBERG

4

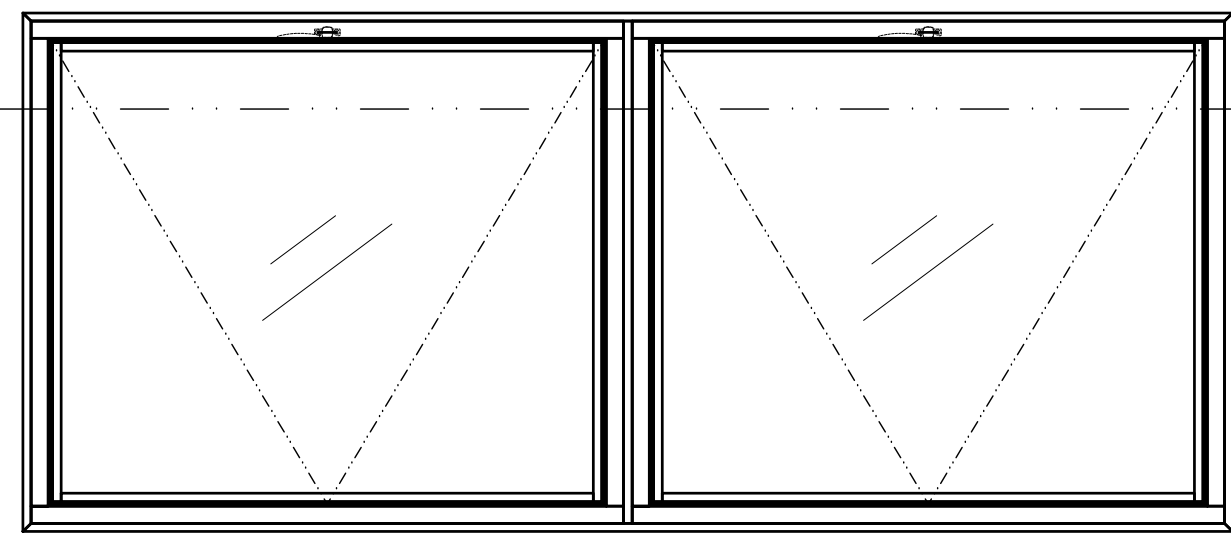
PLOT DATE 8/22/2023
16:36



CASEMENT

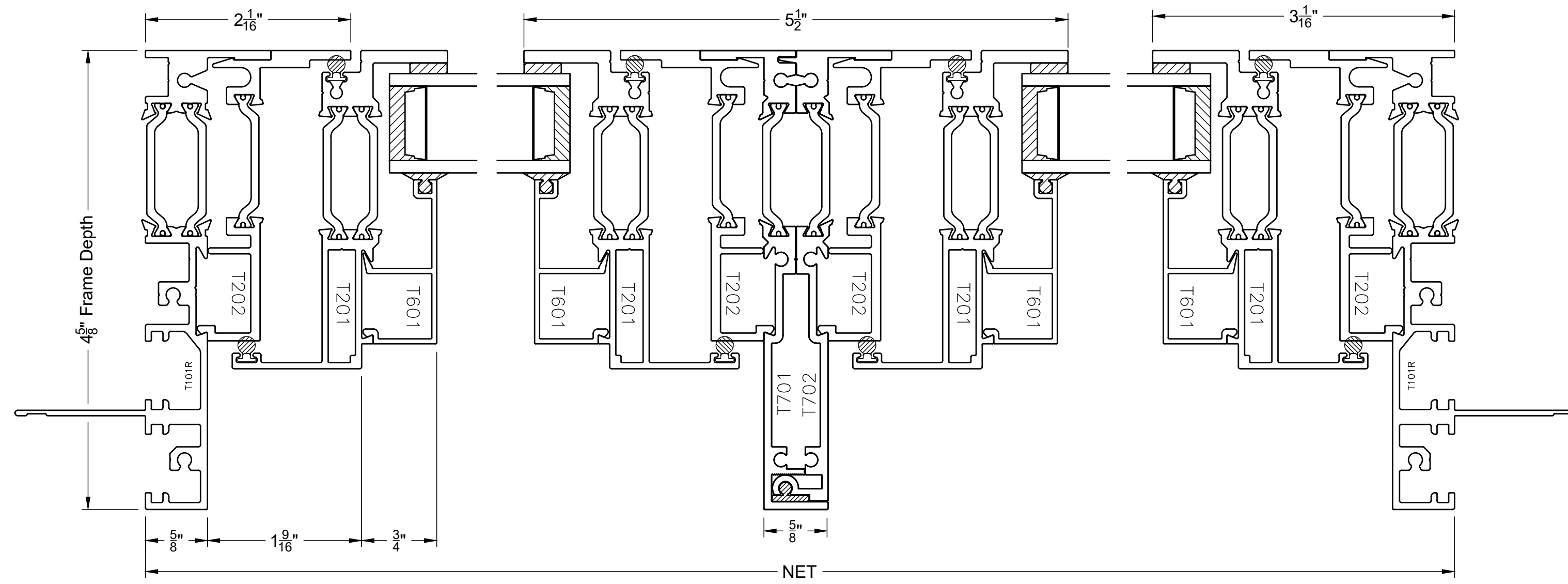


AWNING



HOPPER

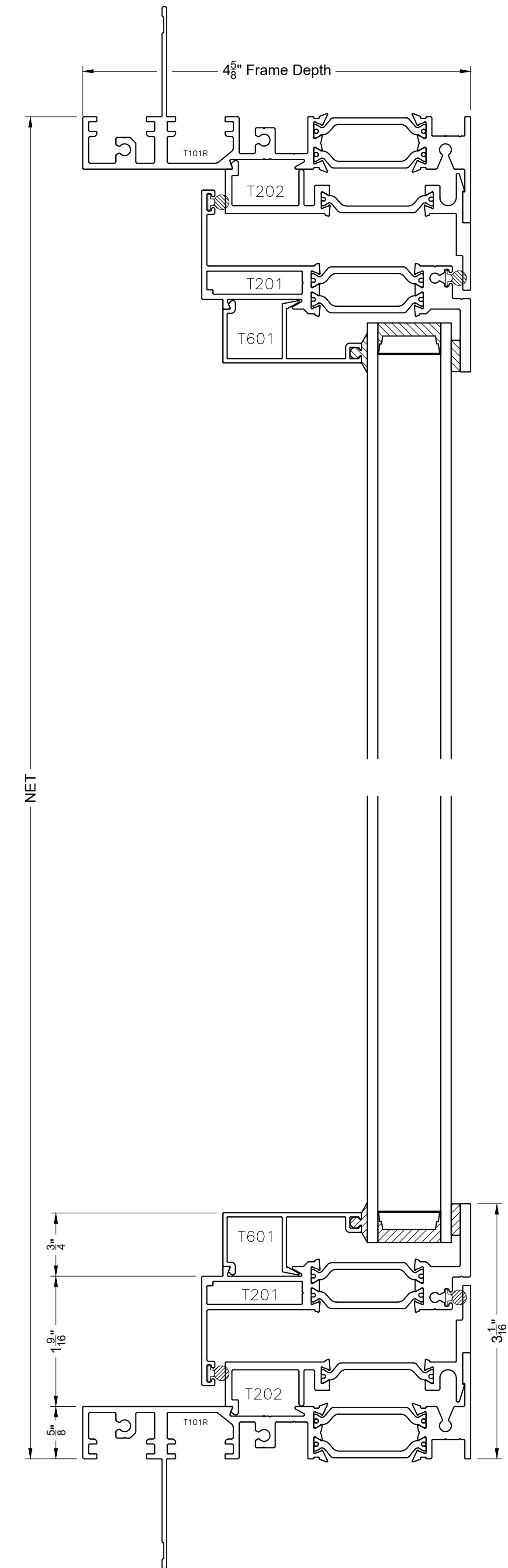
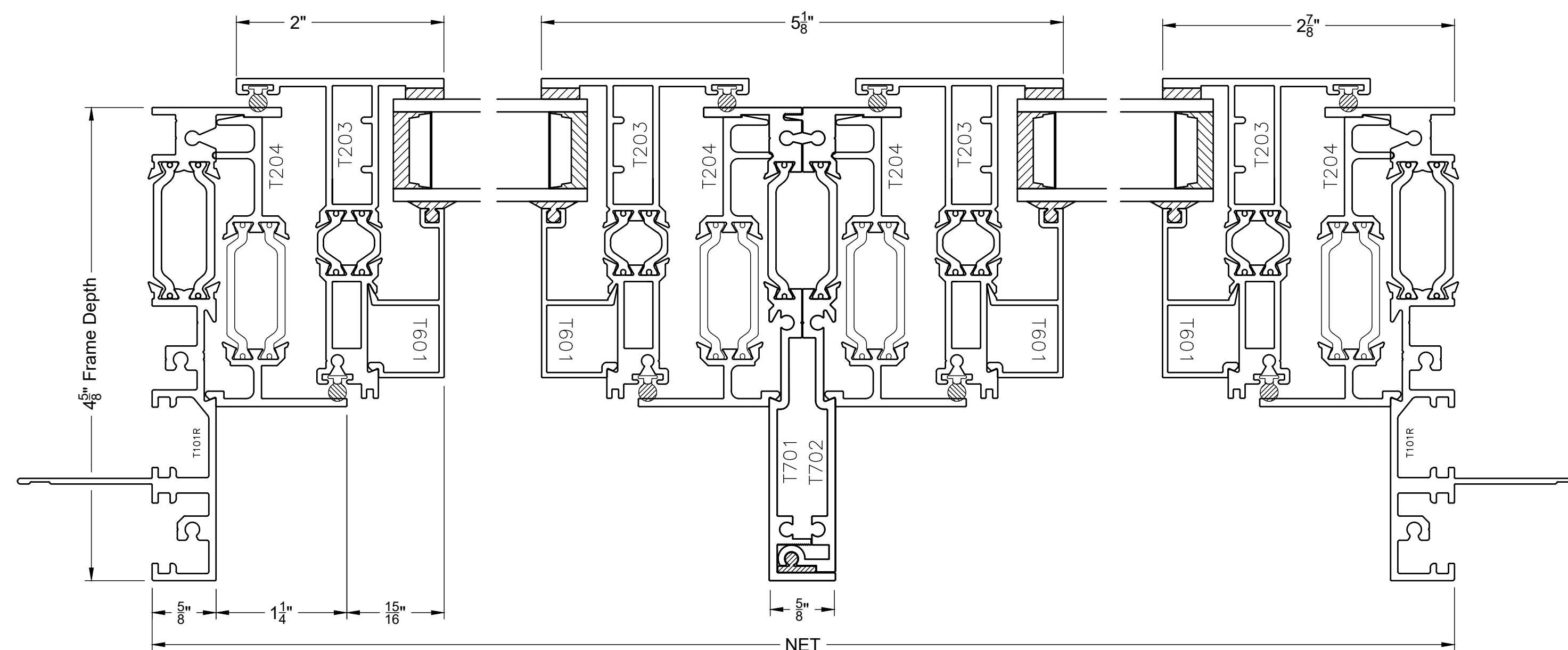
*Hardware location only shown on exterior elevations.



2

HOPPER / HOPPER

Scale 1:1



T450 REVISED

DRAWN BY: SD Team

BLOMBERG

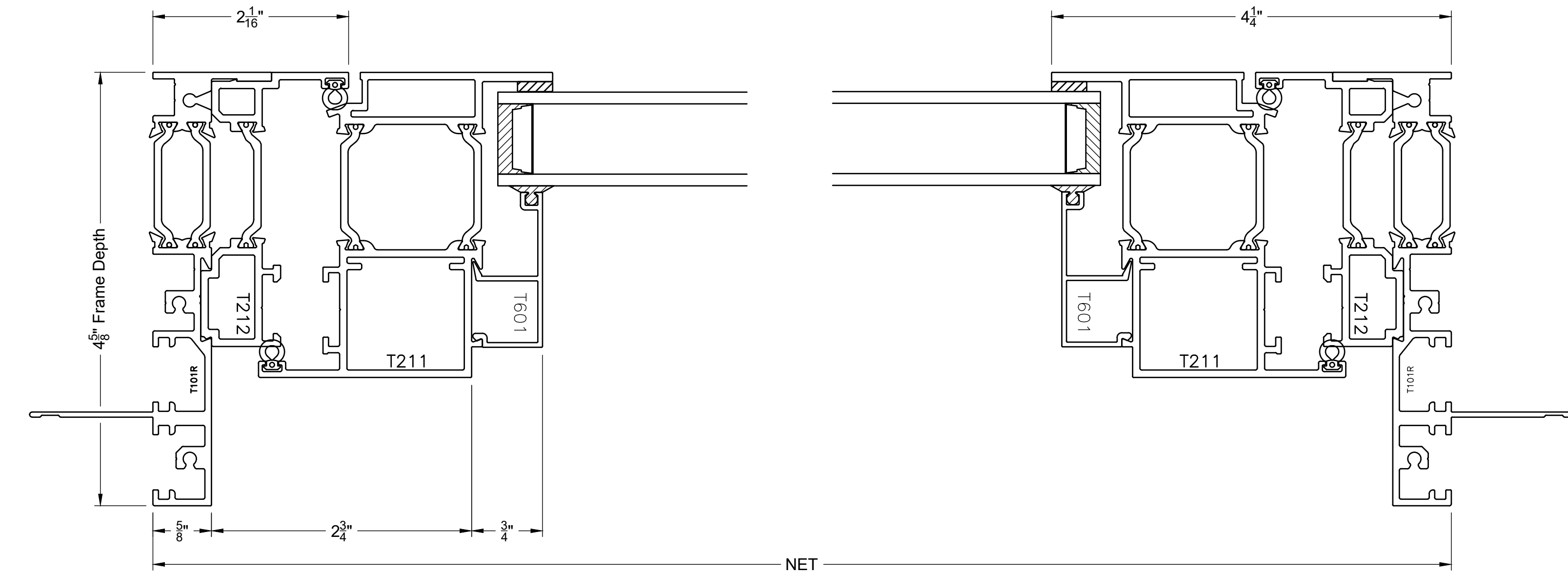
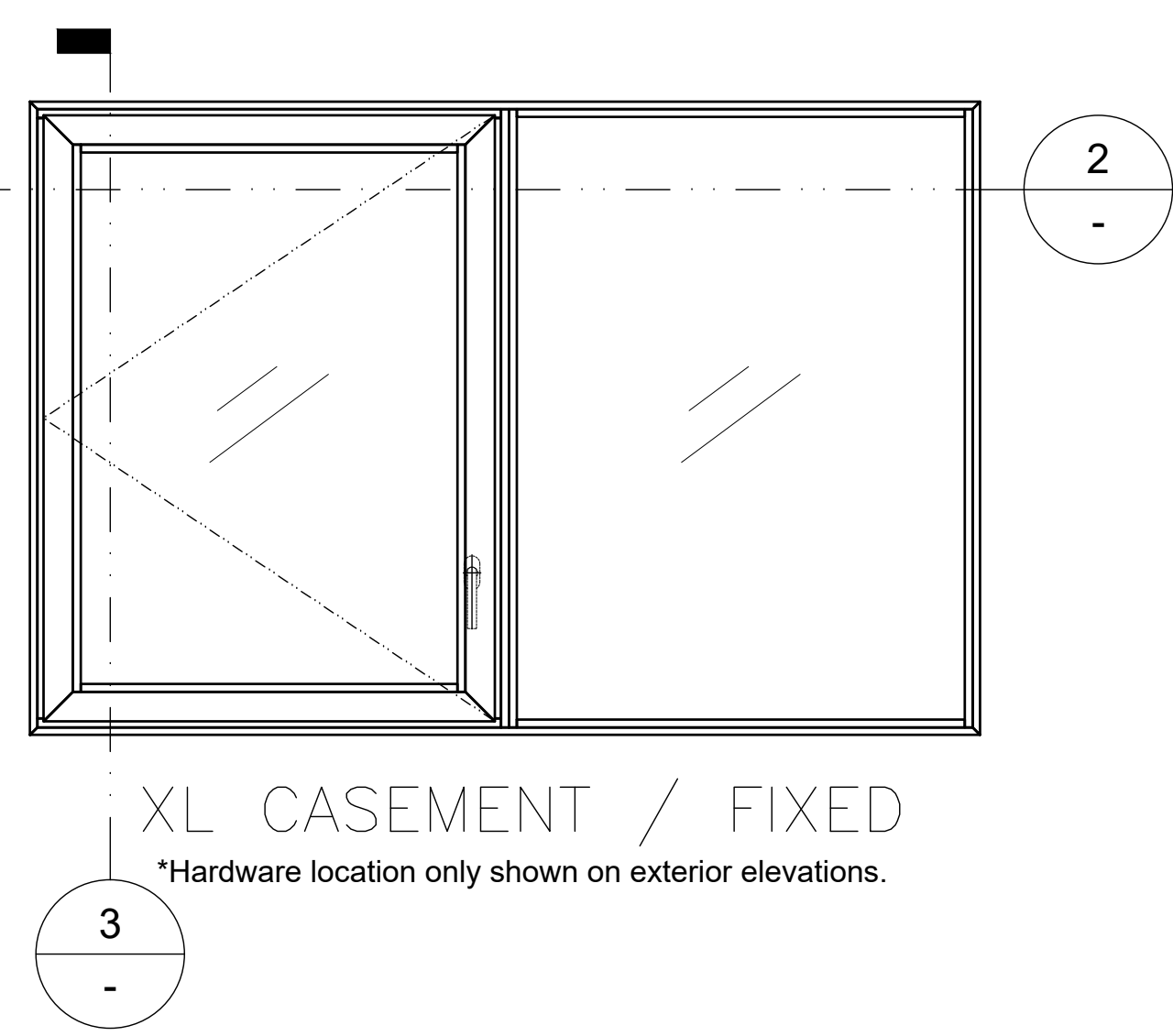
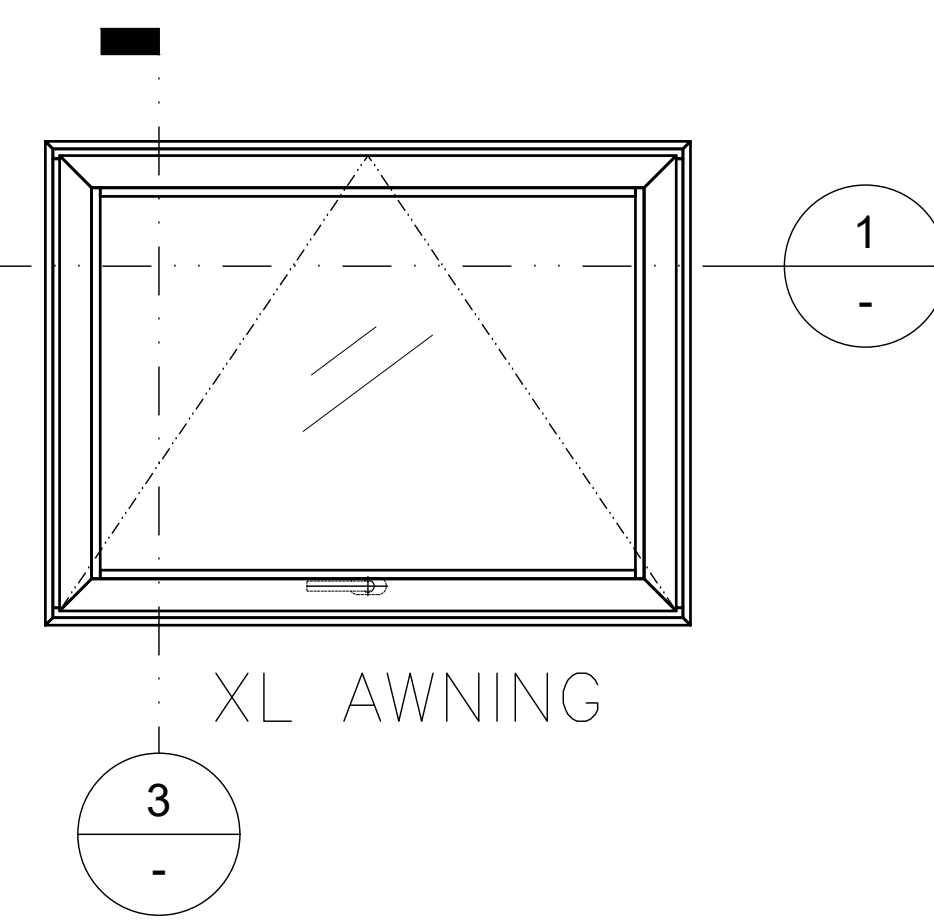
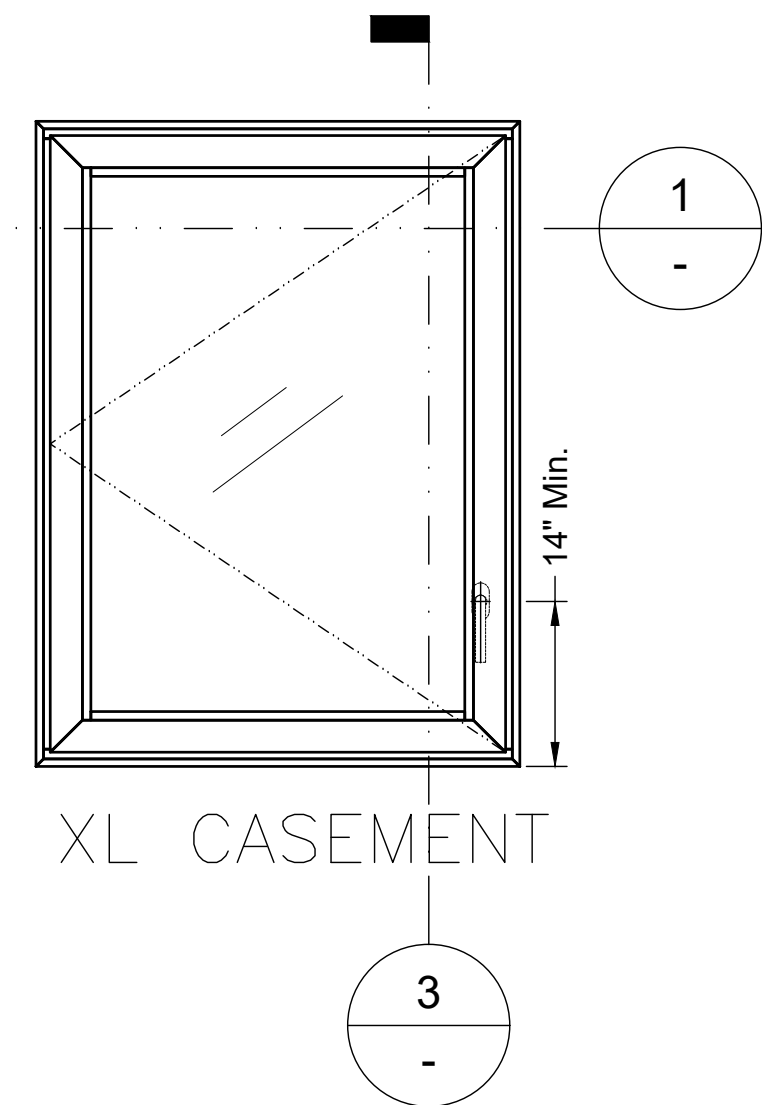
5

PLOT DATE 8/22/2023

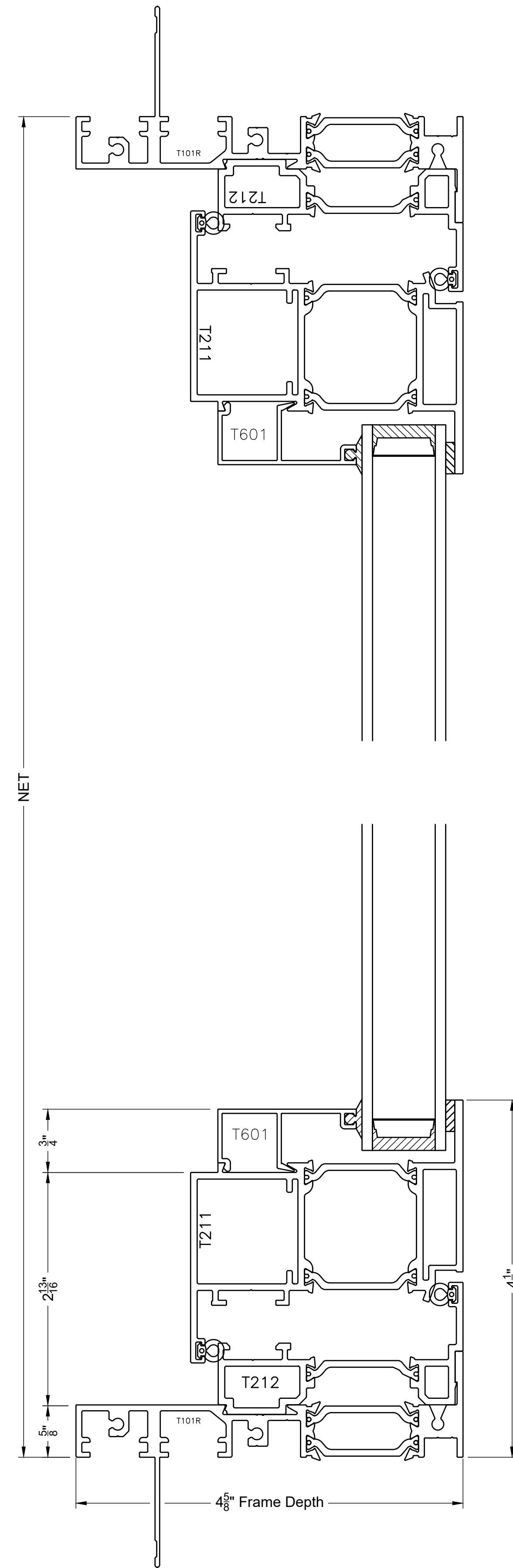
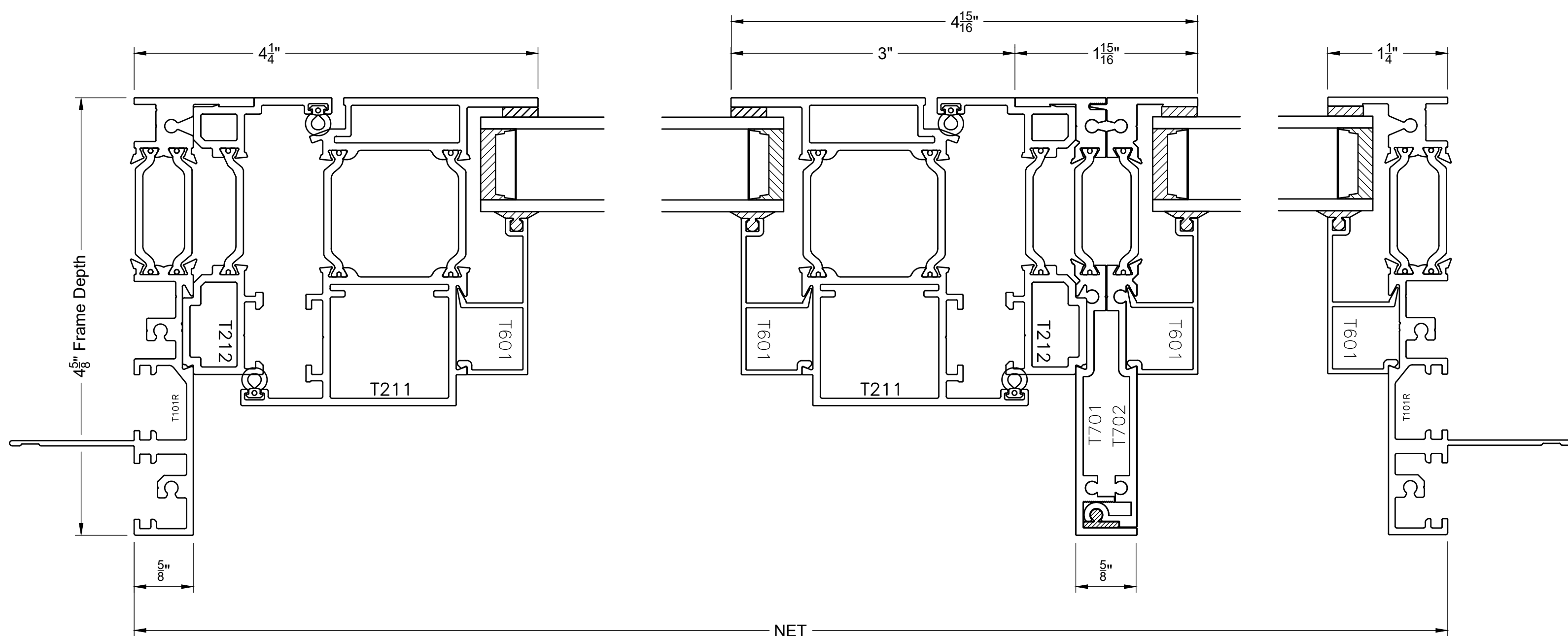
Scale: 1"=1"
Typical Details

VER. DATE CHANGE OR ADDITION

5/23/23



2 XL CASEMENT / FIXED Scale 1:1



Scale: 1"=1"
Typical Details

T450 REVISED

VER.	DATE	CHANGE OR ADDITION
5/23/23		

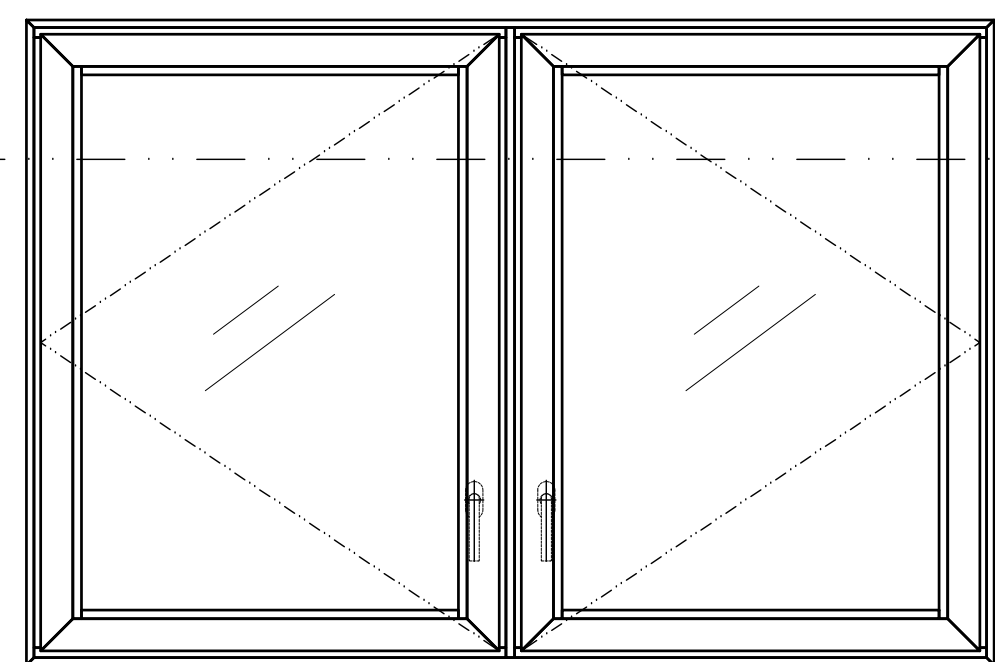
DRAWN BY: SD Team

BLOMBERG

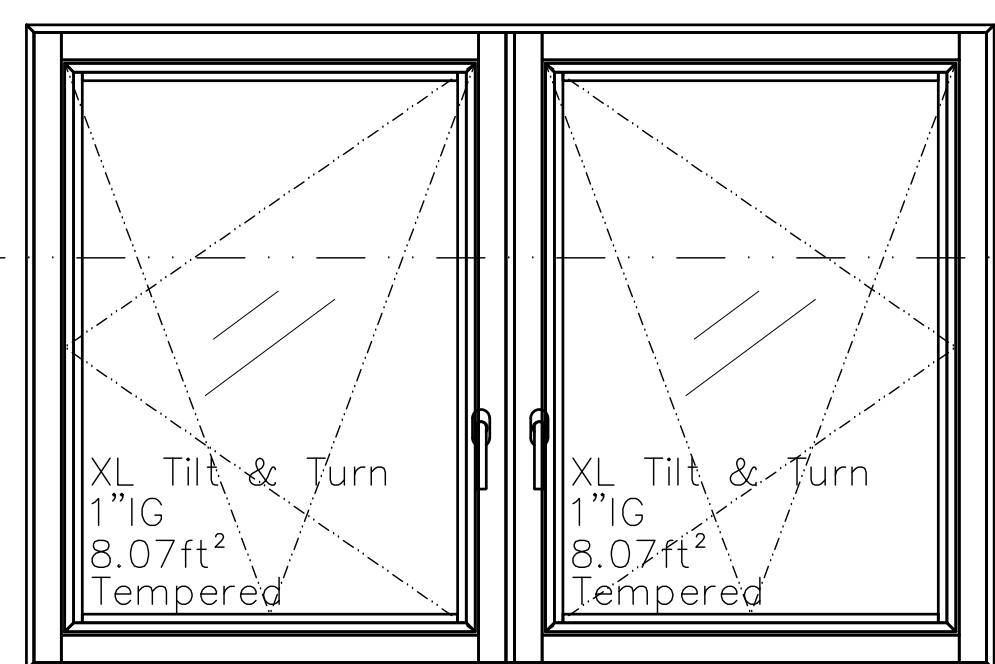
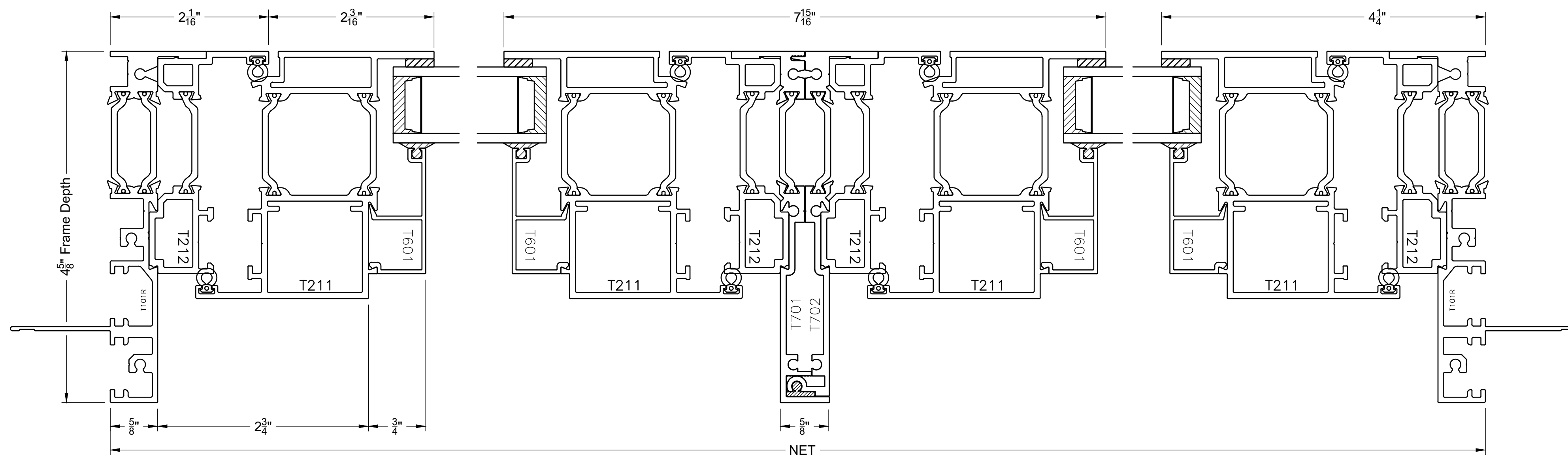
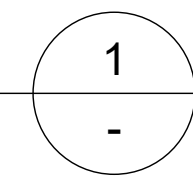
6

PLOT DATE 8/22/2023
16:36

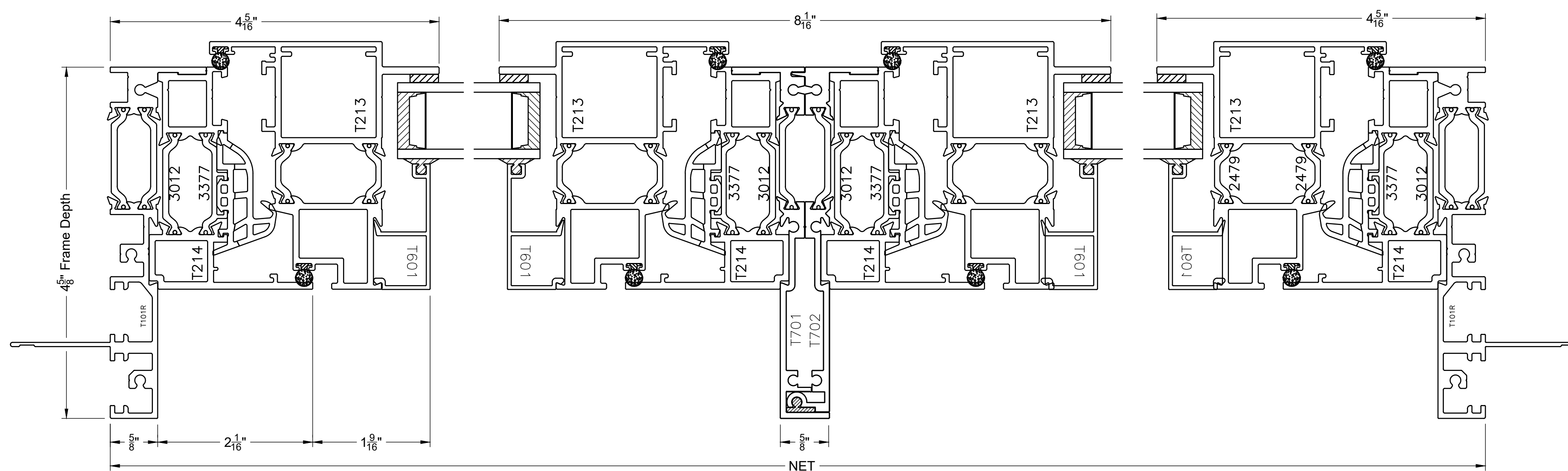
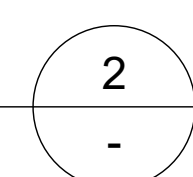
© Shovel Drive Drafting Department/Weekly Update 2023/1450 and T600 Revised 2024.dwg



XL CASEMENT



XL TILT & TURN



*Hardware location only shown on exterior elevations.

VER.	DATE	CHANGE OR ADDITION
5/23/23		

DRAWN BY: SD Team

ELEVATION

NTS

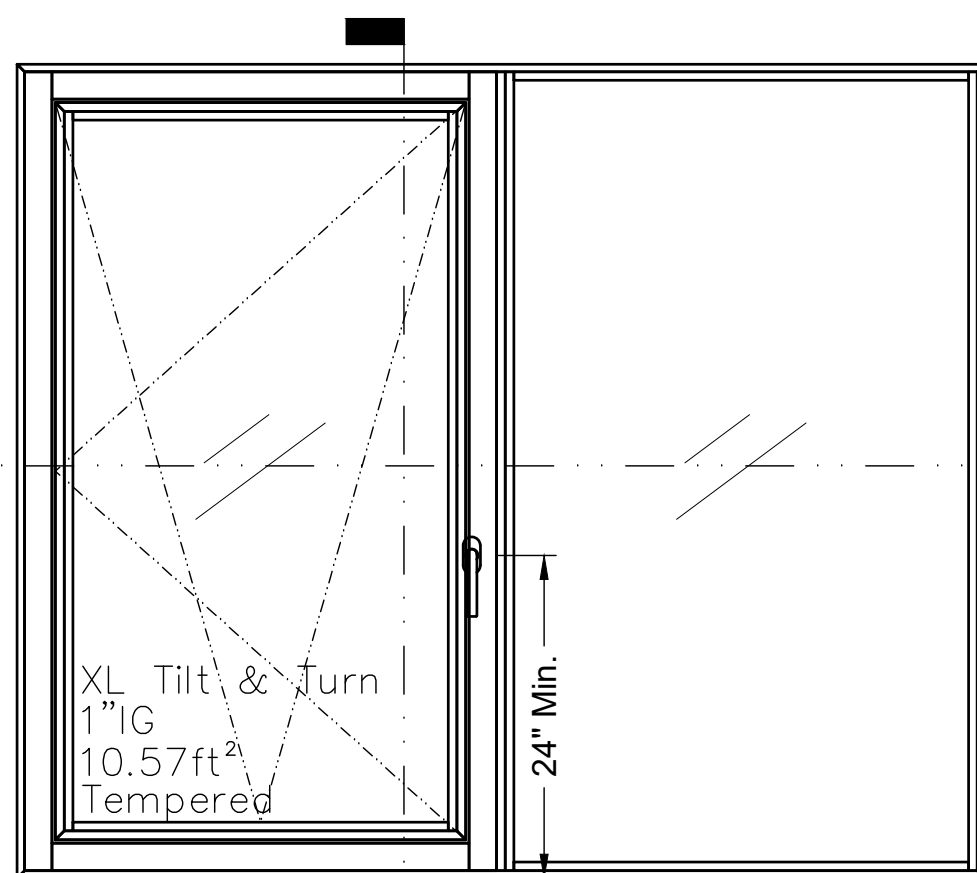
1

XL TILT & TURN - FIXED

Scale 1:1

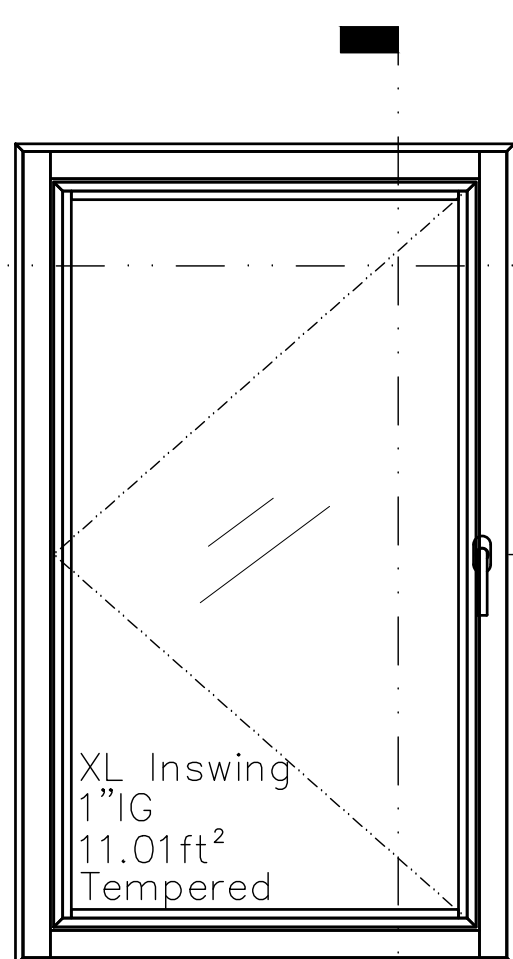
3

XL T&T, XL INSWING, XL HOPPER



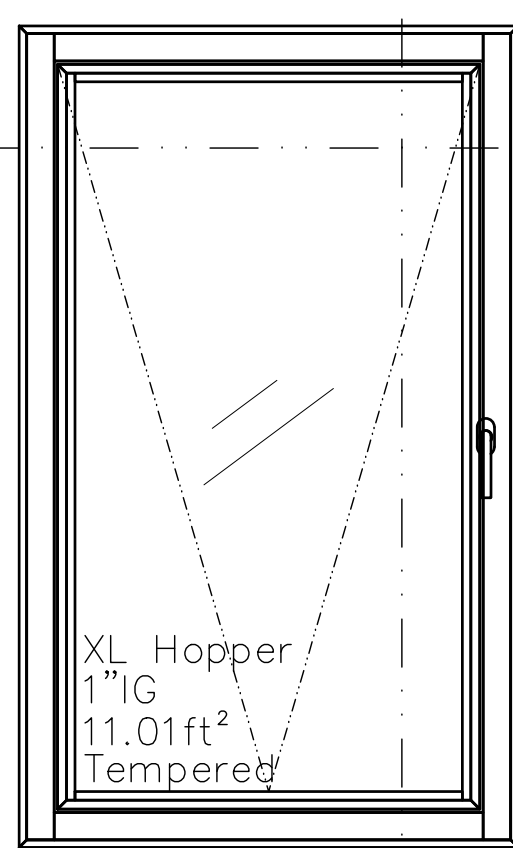
1

3



2

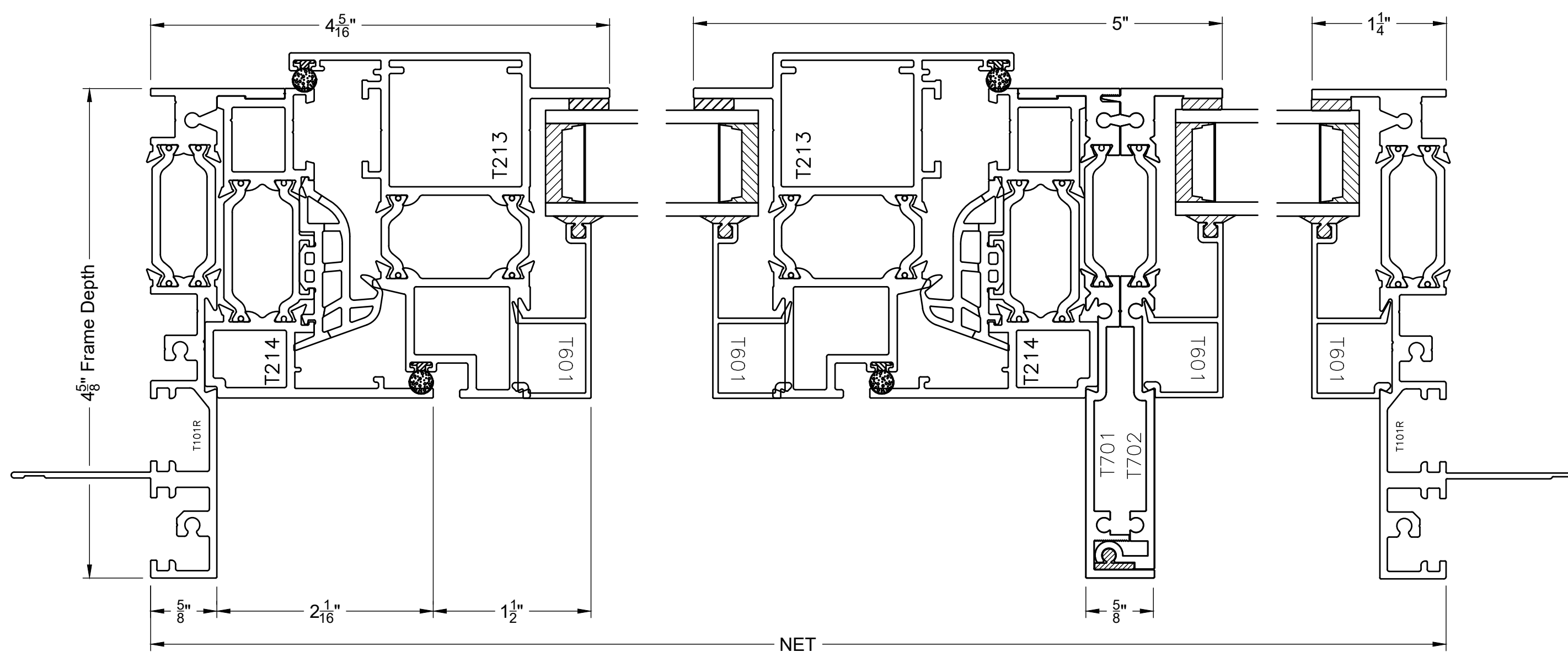
3



2

3

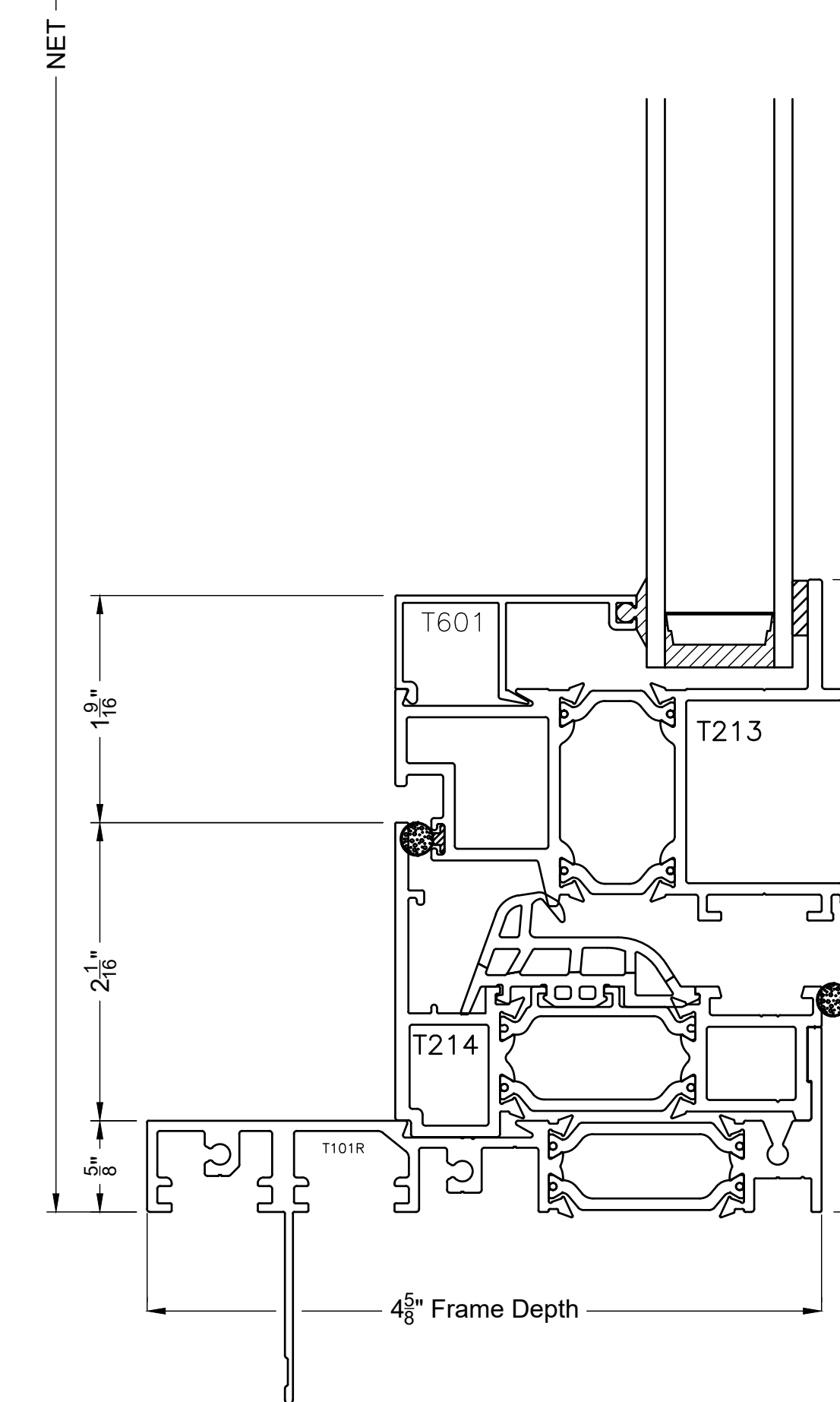
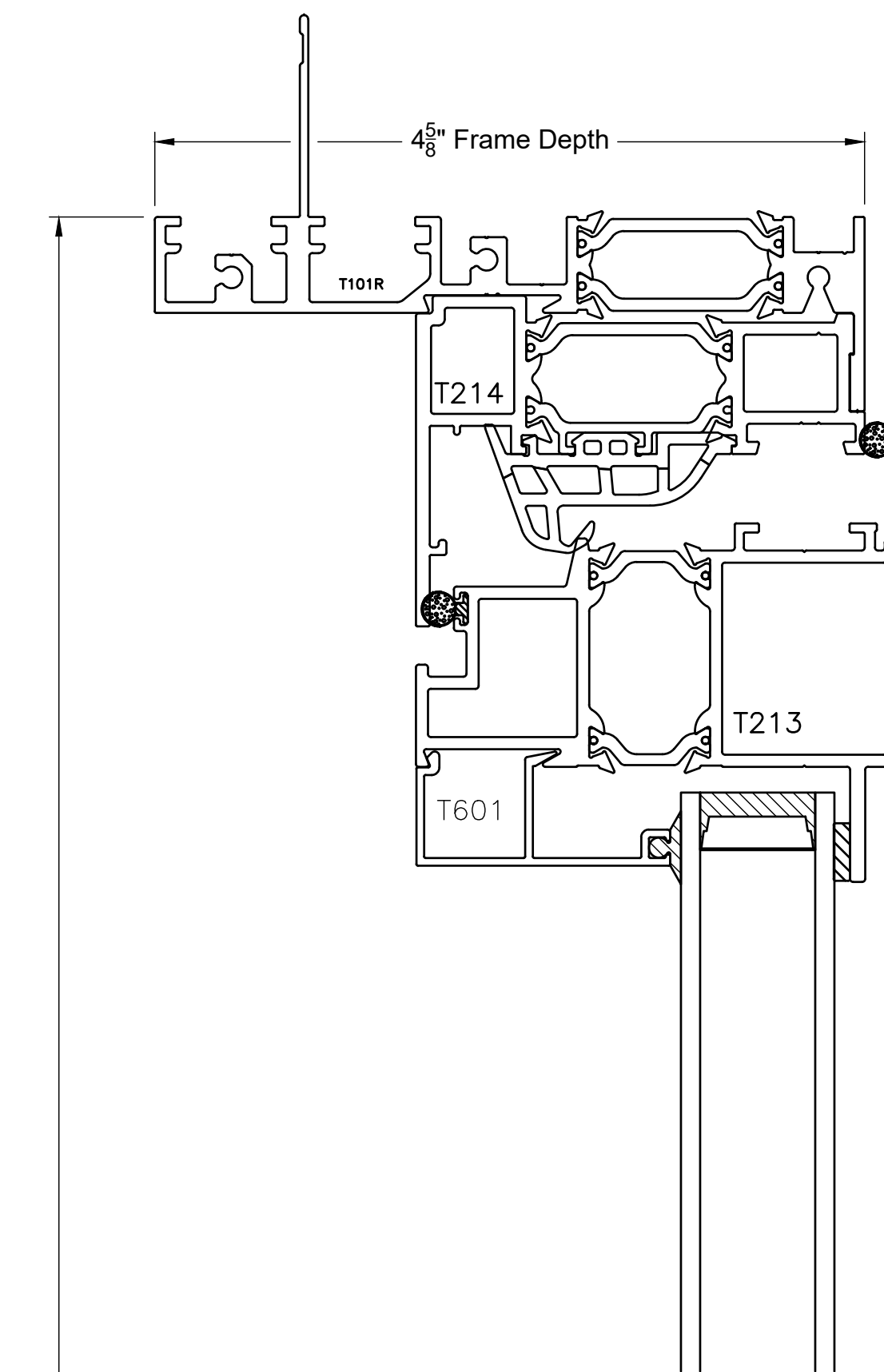
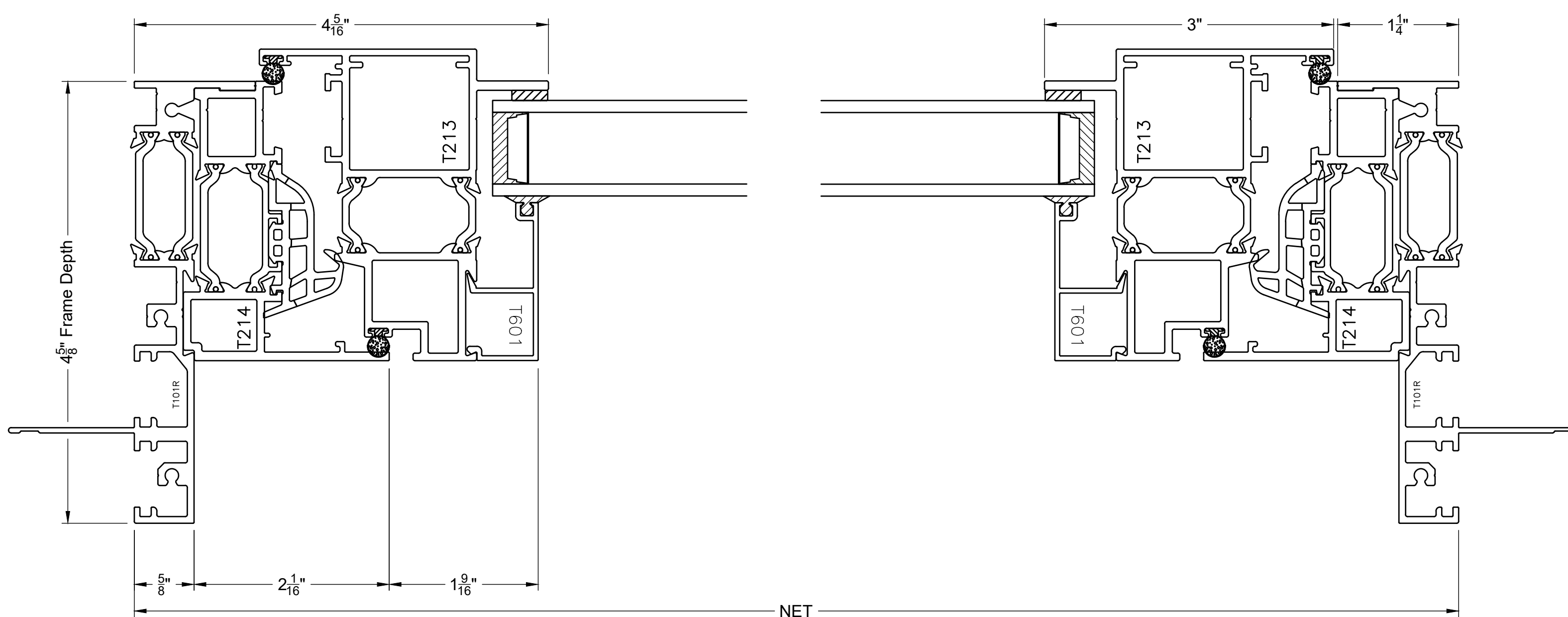
*Hardware location only shown on exterior elevations.



2

XL TILT & TURN XL INSWING / XL HOPPER

Scale 1:1



Scale: 1"=1"
Typical Details



T450 REVISED

FACTORY 1453 BLAIR AVE. SACRAMENTO CA. 95822
SHOWROOM 519 POTRERO AVE. SAN FRANCISCO, CA. 94110
T. 916-428-8060 BLOMBERGWINDOWS.COM

VER.	DATE	CHANGE OR ADDITION
5/23/23		

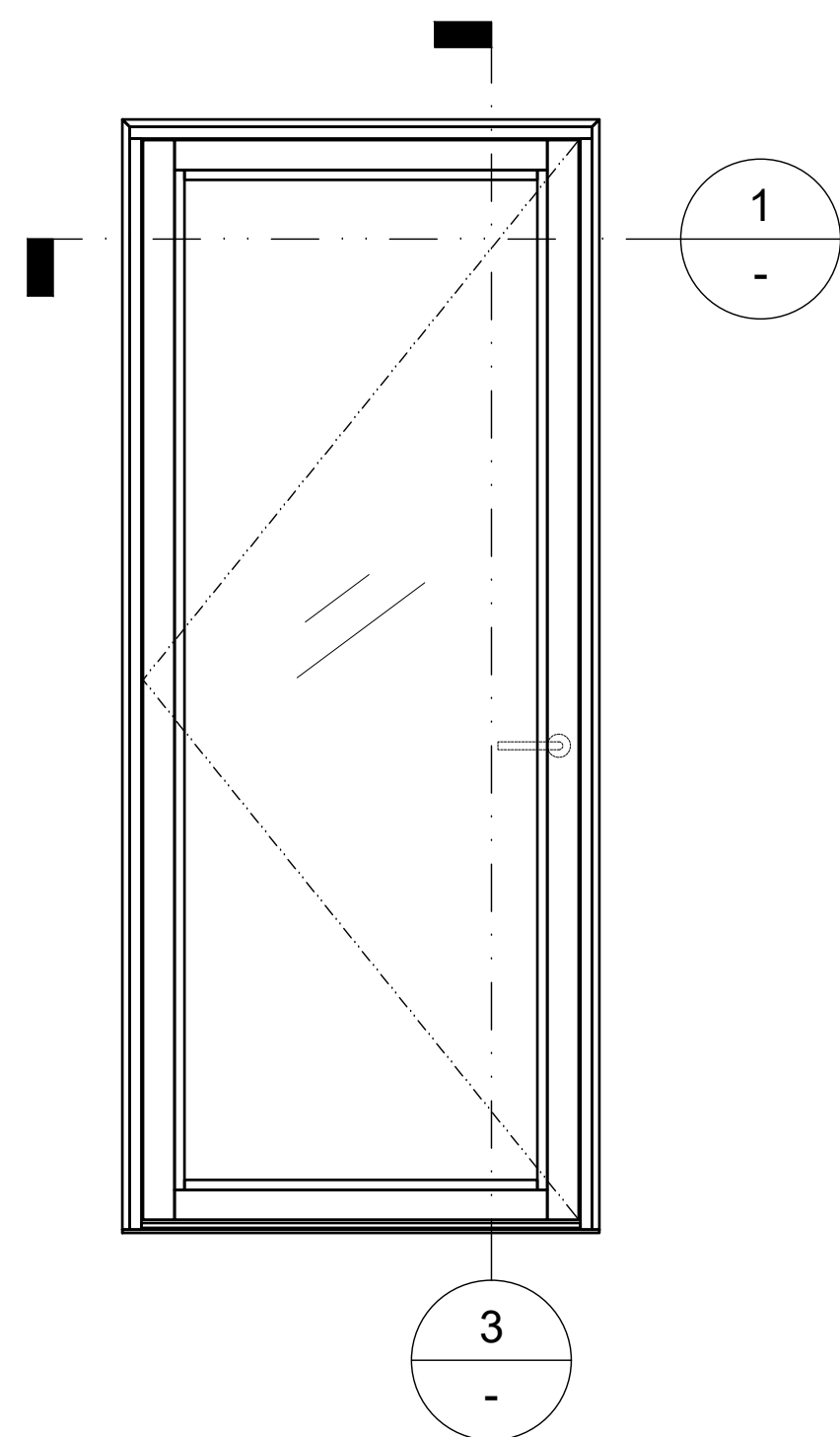
DRAWN BY: SD Team

BLOMBERG

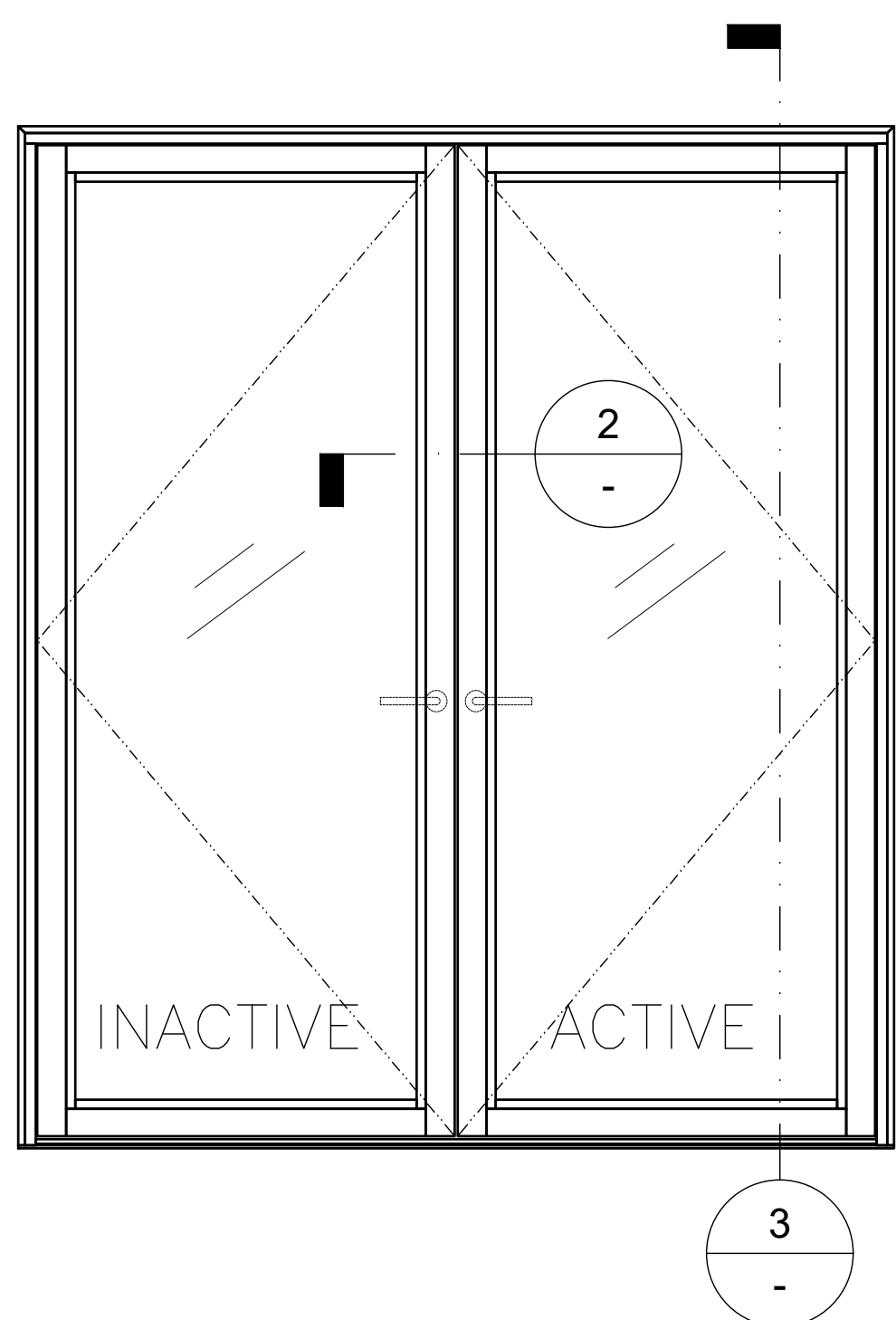
8

PLOT DATE 8/22/2023

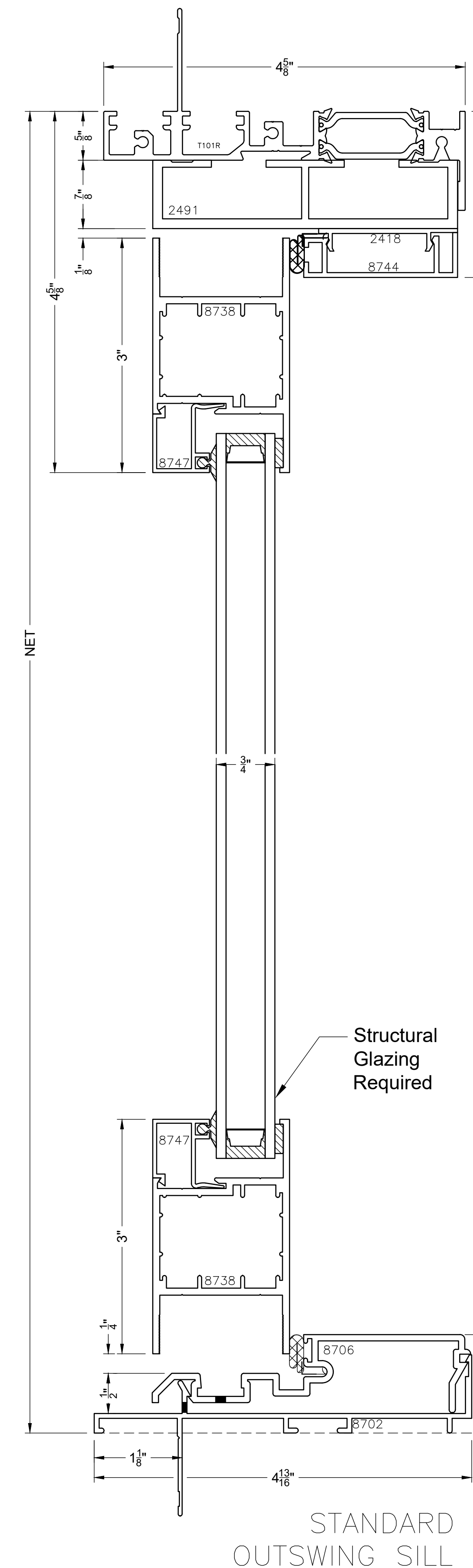
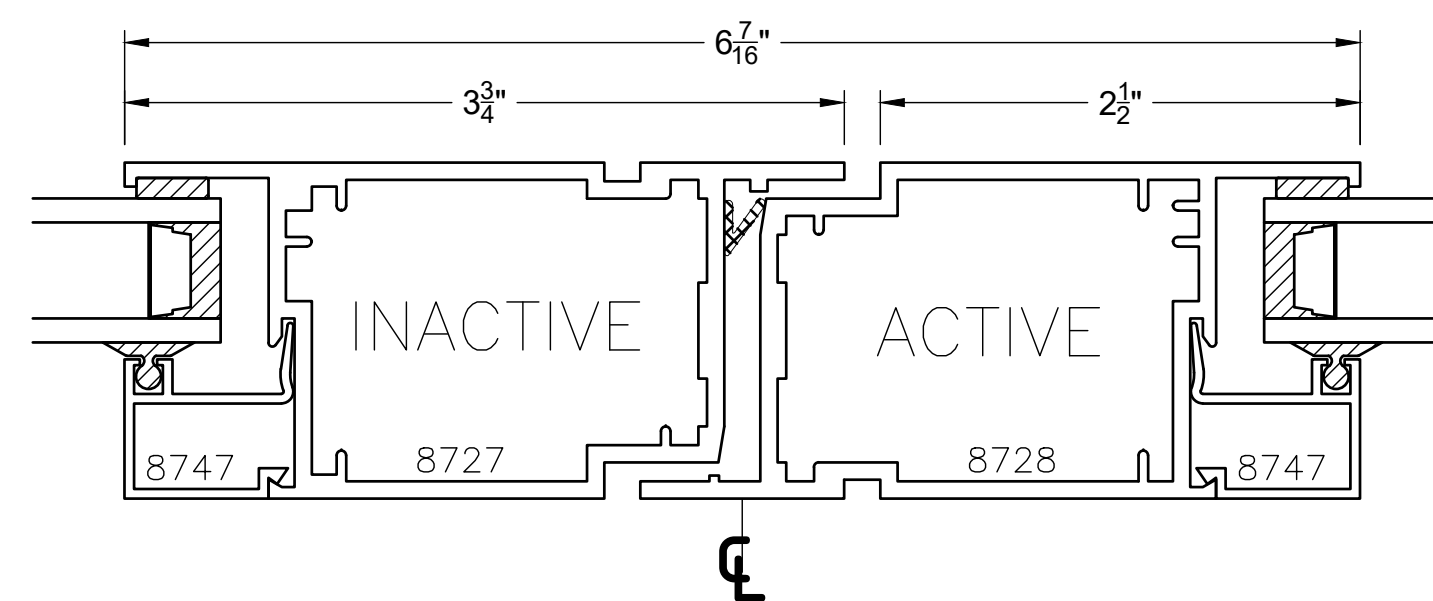
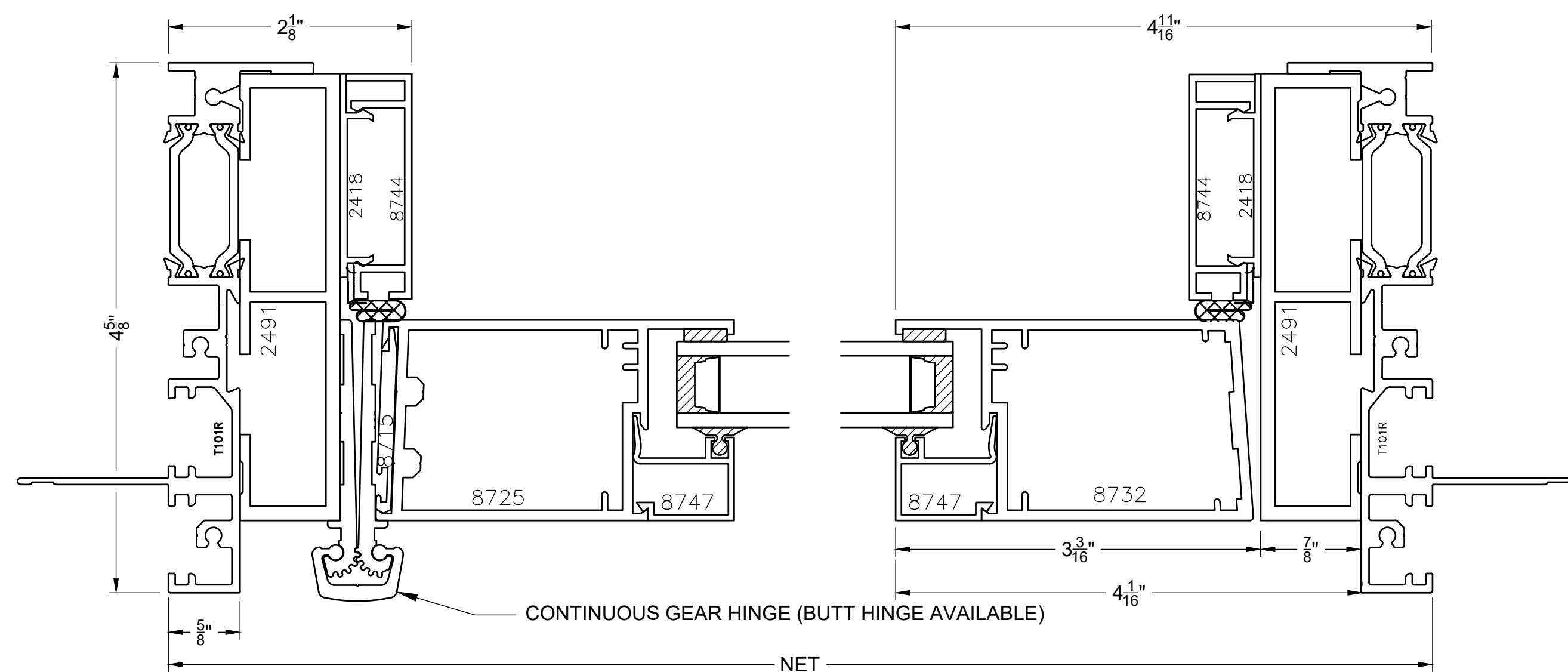
16/36



SWING DOOR
NARROW STILE
OUTSWING
HINGE LEFT



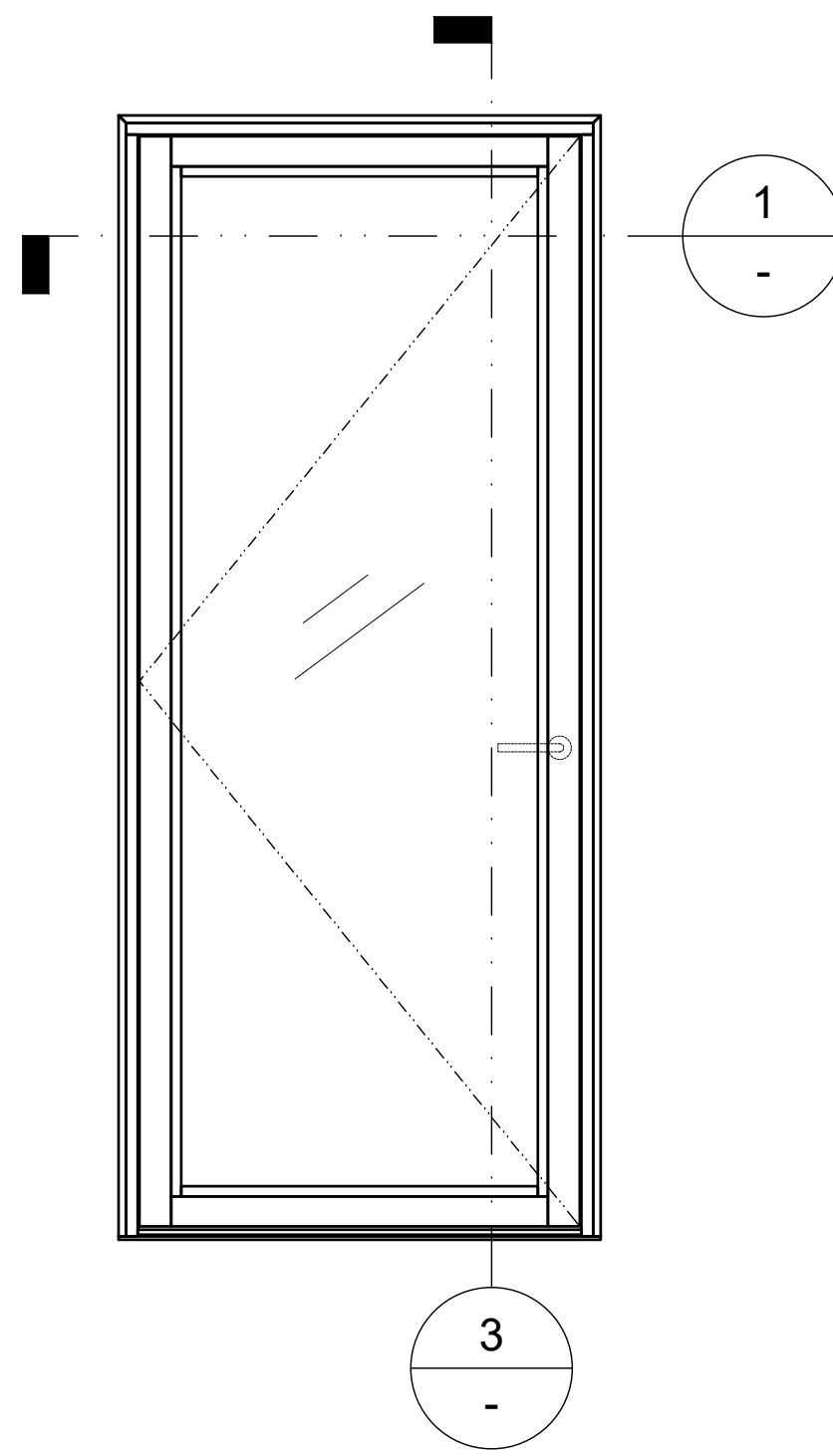
XX SWING DOOR
NARROW STILE
OUTSWING



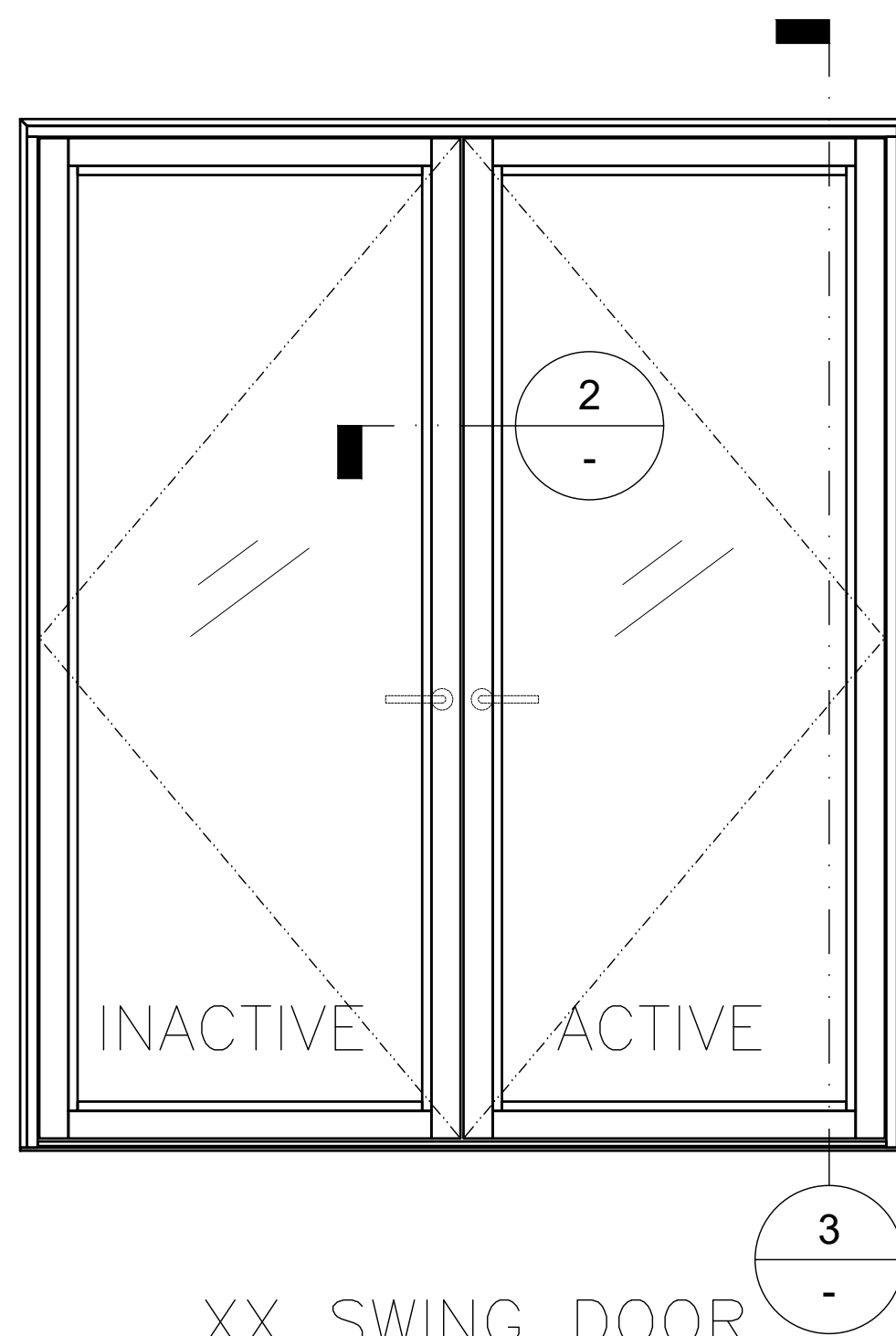
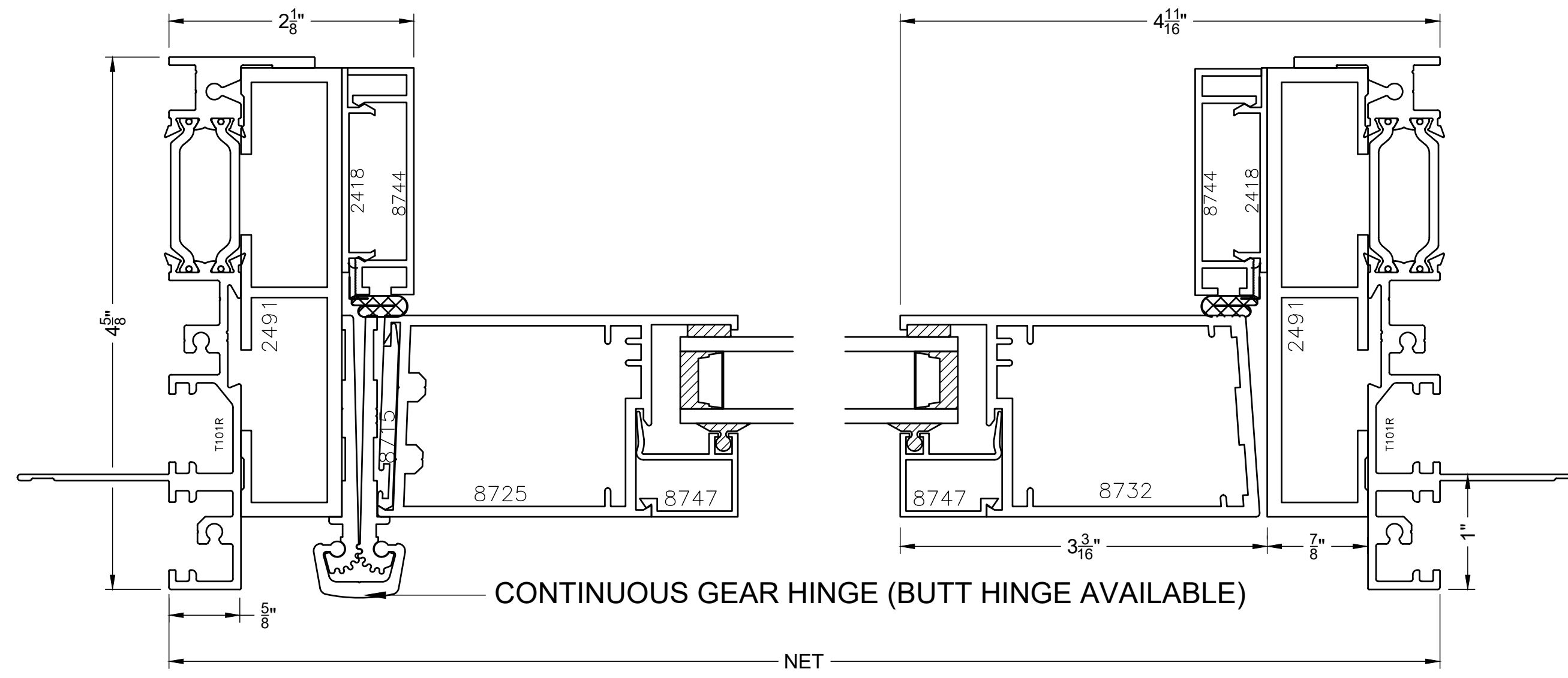
Scale: 1"=1"
Typical Details

VER.	DATE	CHANGE OR ADDITION
5/23/23		

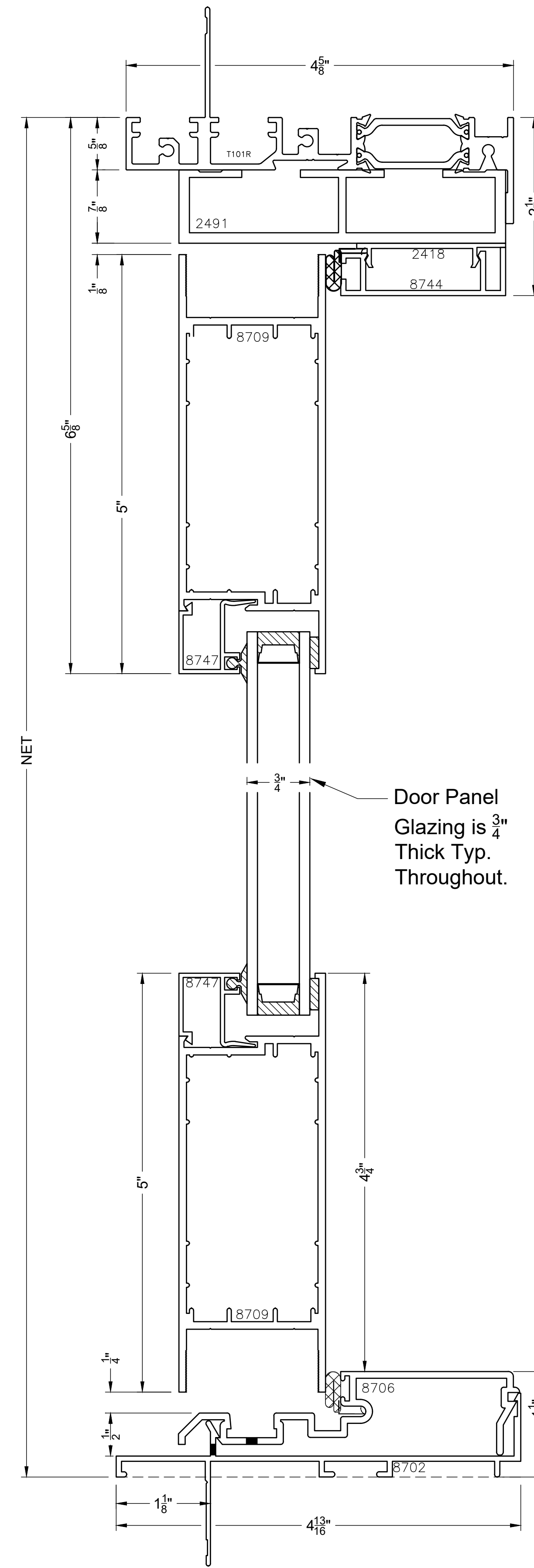
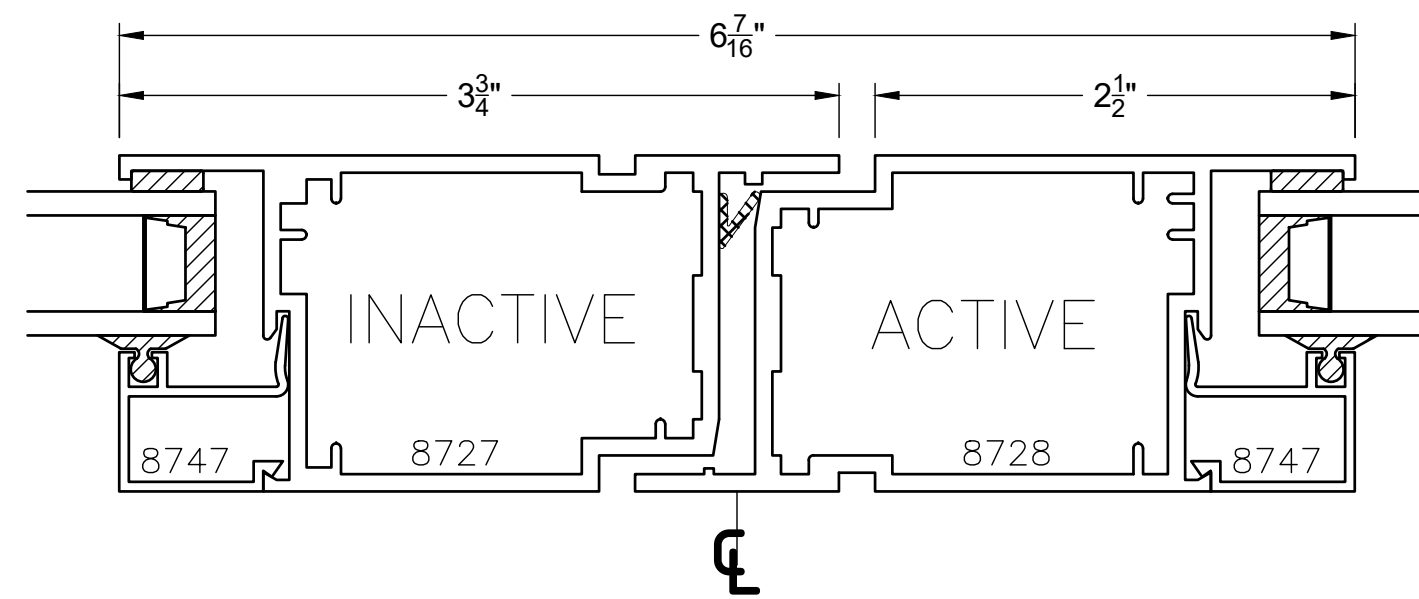
DRAWN BY: SD Team



SWING DOOR
NARROW STILE
OUTSWING
HINGE LEFT



XX SWING DOOR
NARROW STILE
OUTSWING



Scale: 1"=1"
Typical Details

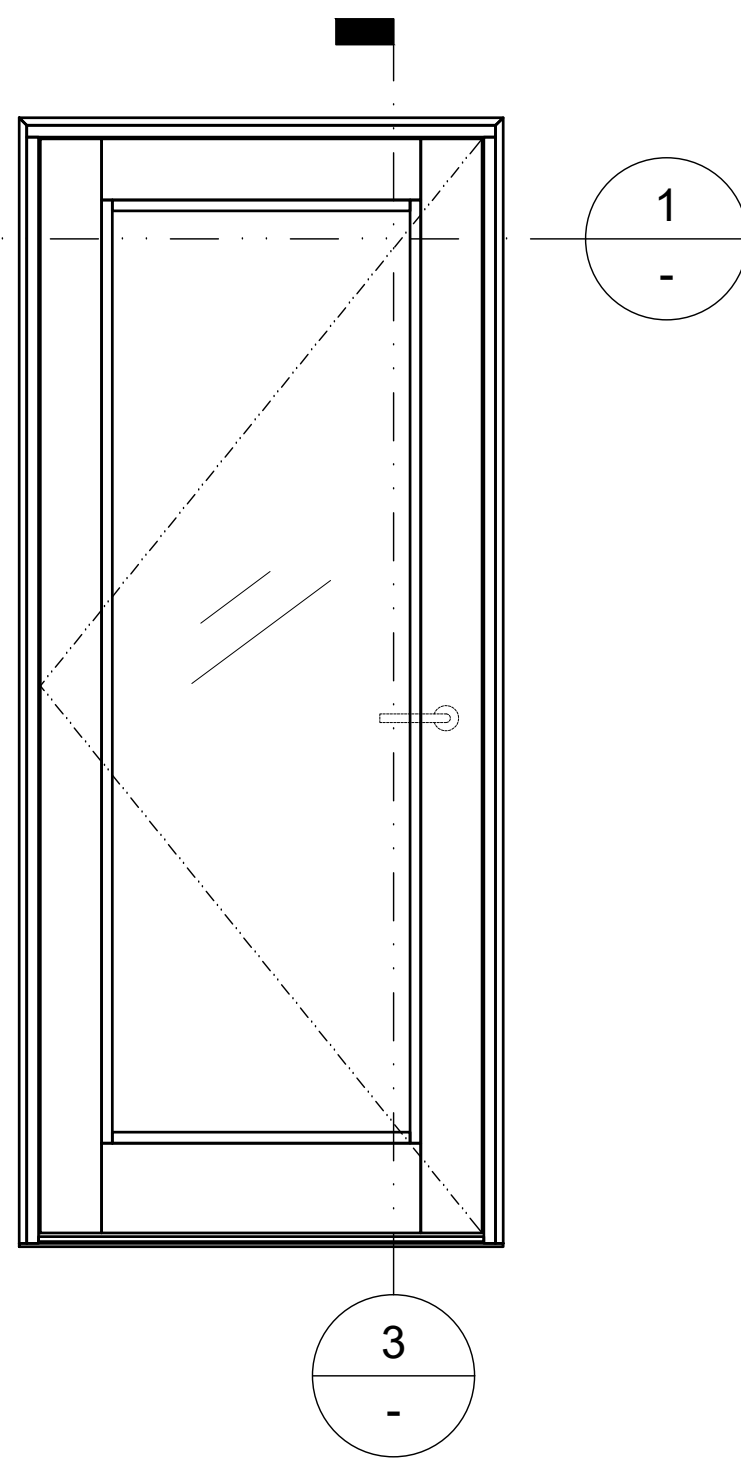
T450 REVISED

VER.	DATE	CHANGE OR ADDITION
5/23/23		

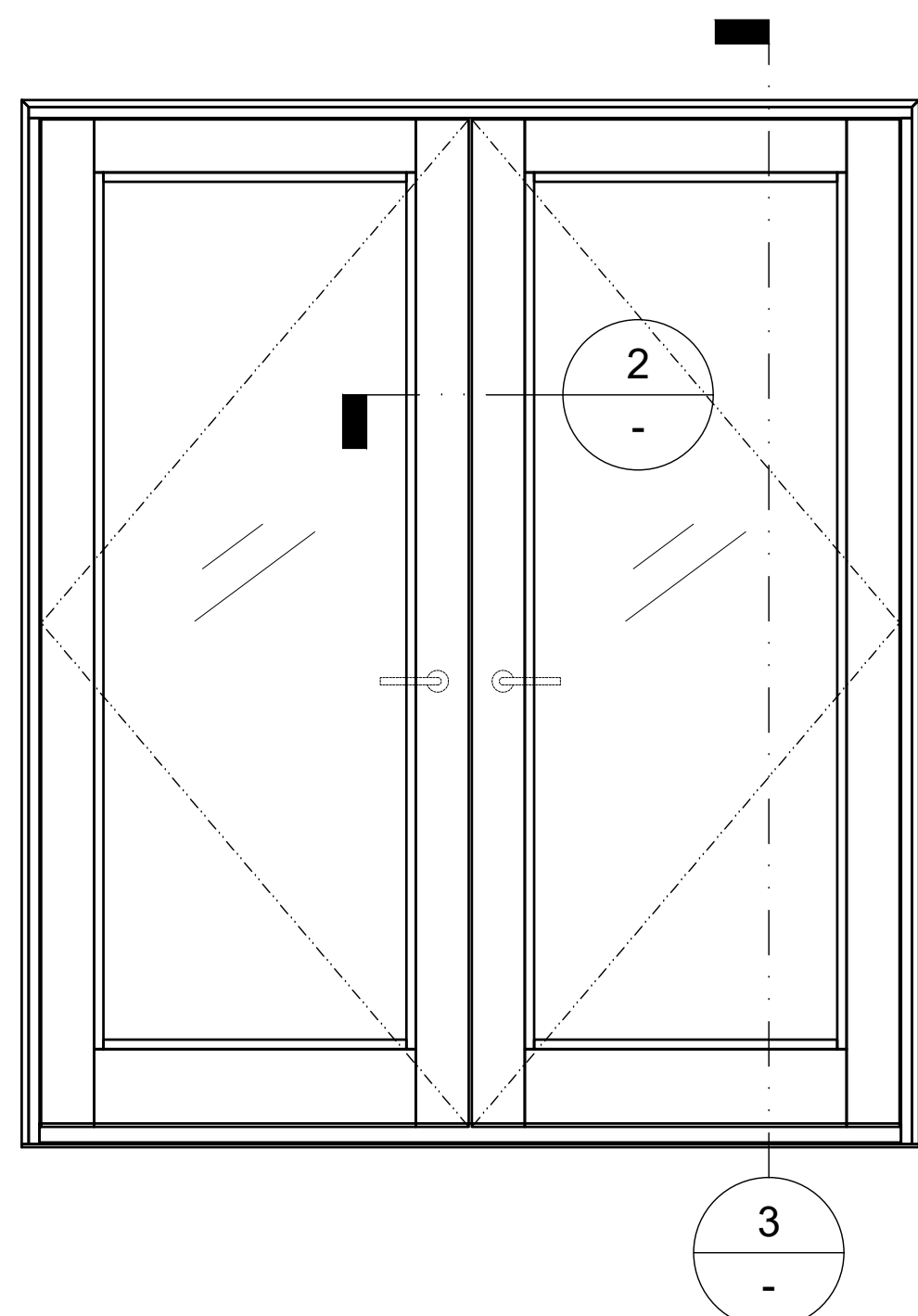
DRAWN BY: SD Team

BLOMBERG
10

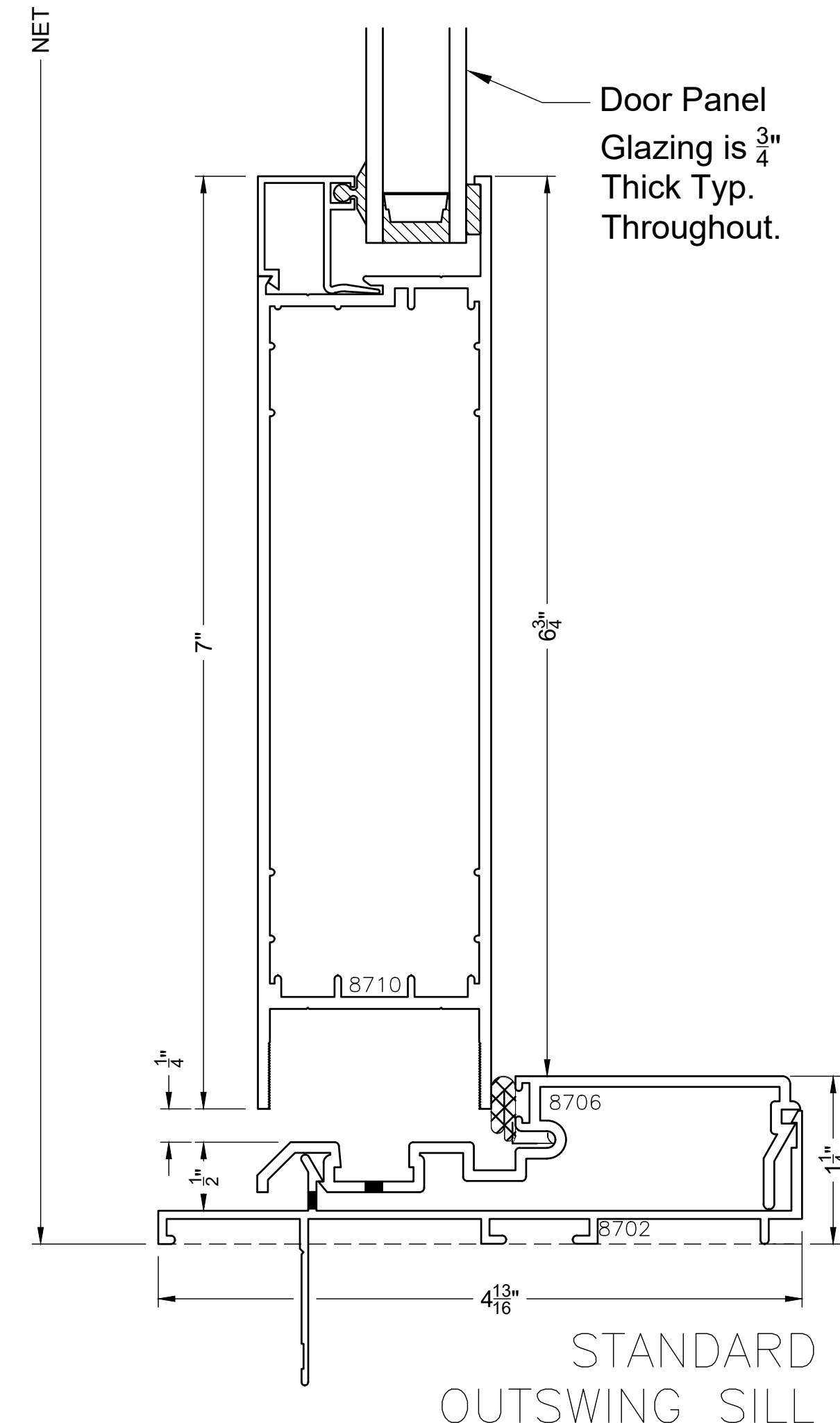
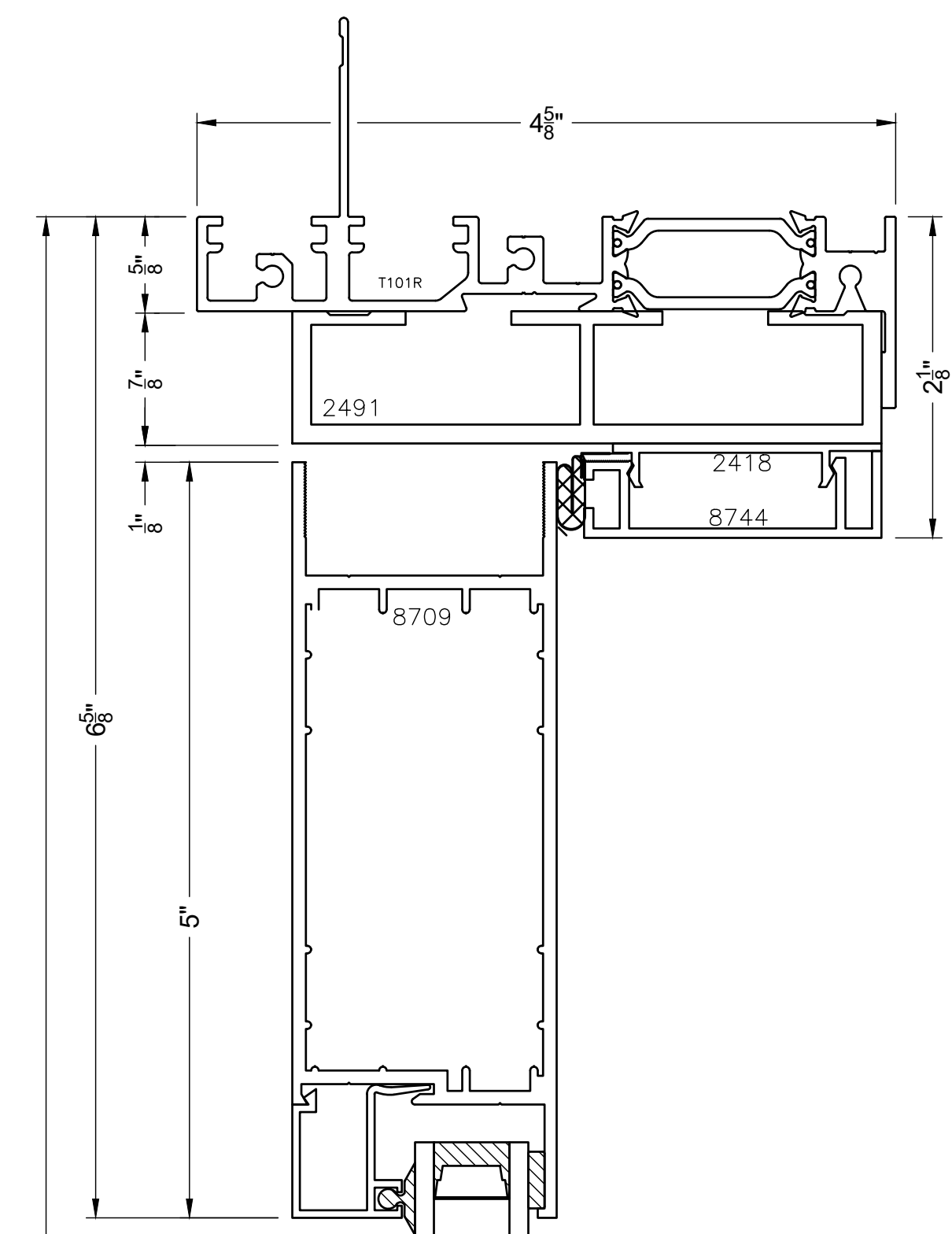
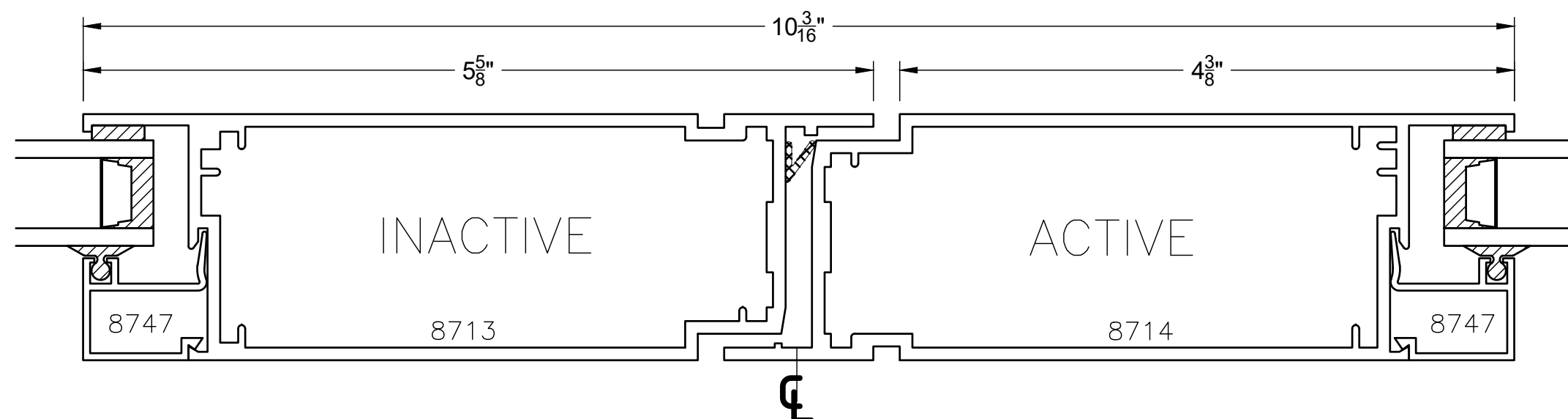
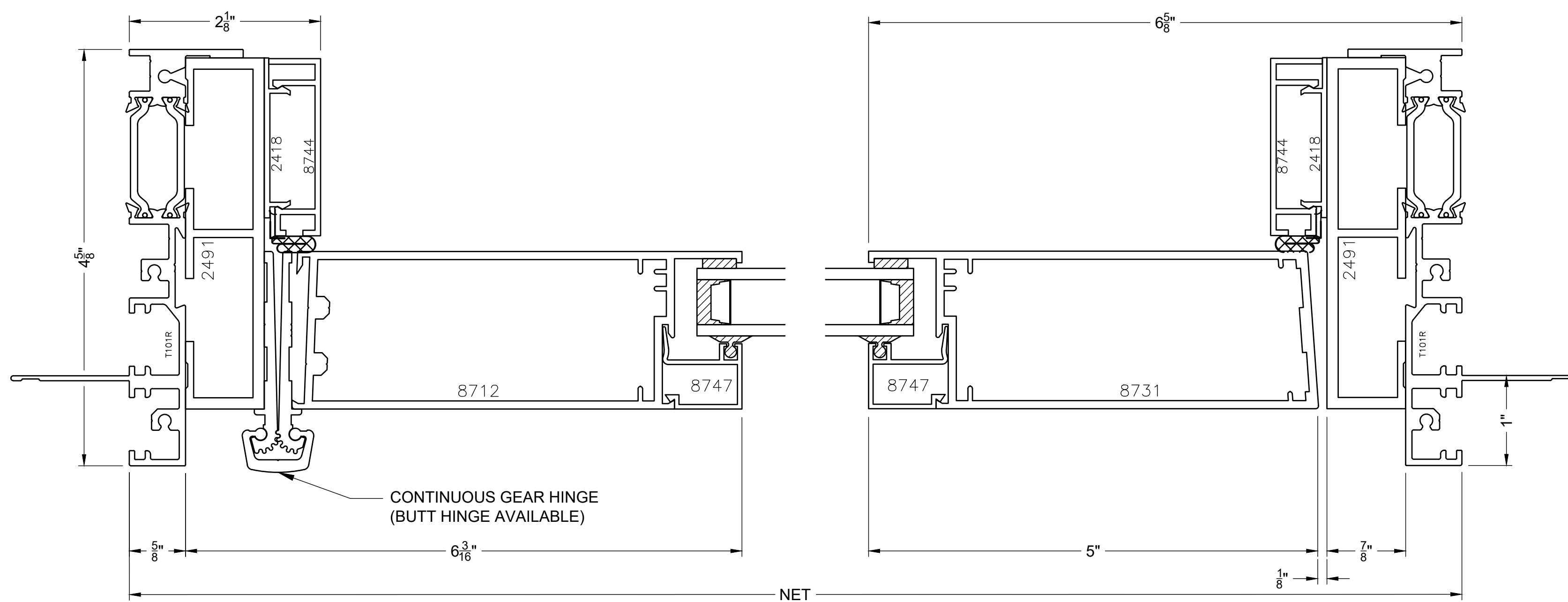
PLOT DATE 8/22/2023
16:36



SWING DOOR
WIDE STILE
OUTSWING
HINGE LEFT



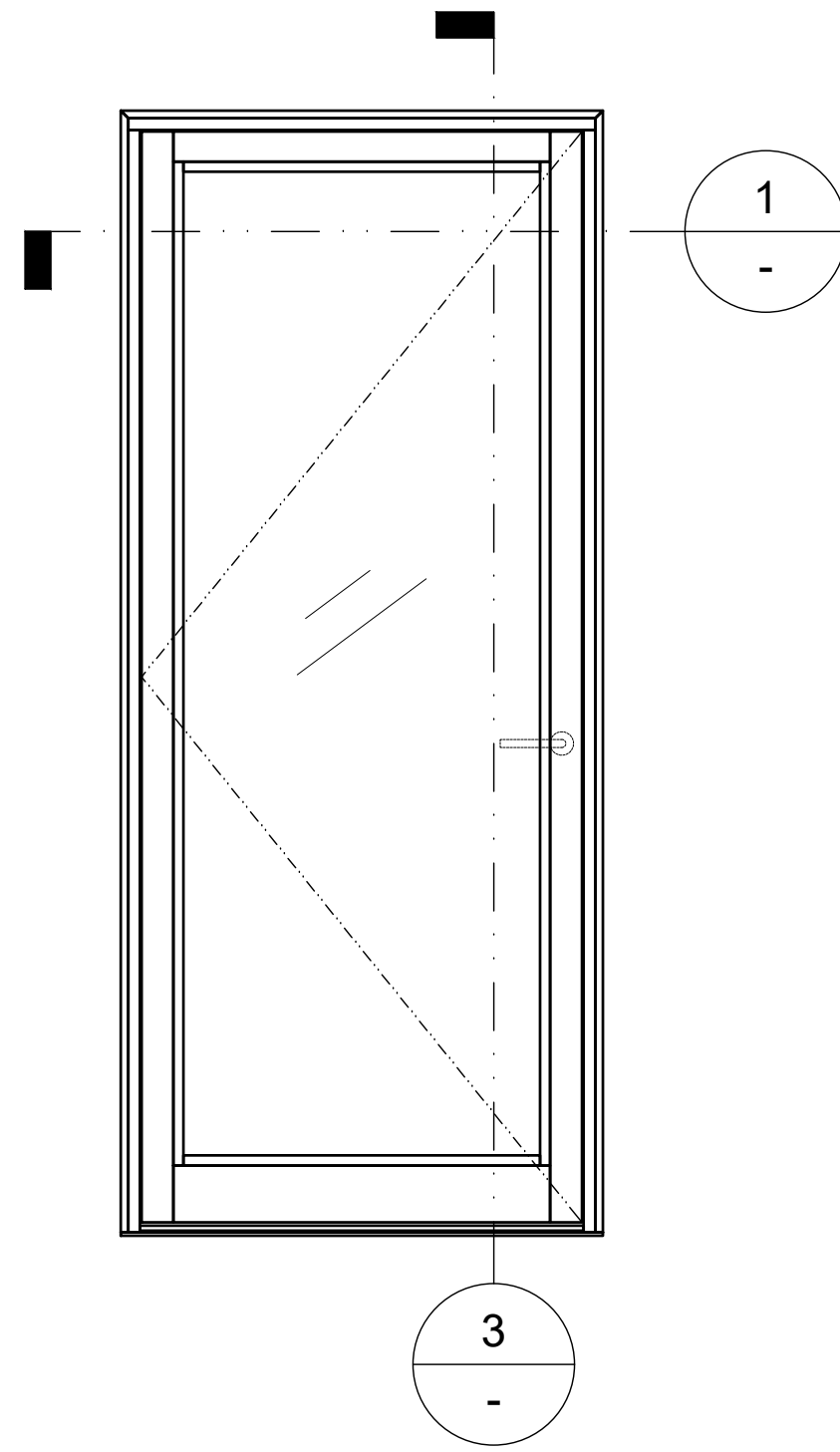
XX SWING DOOR
WIDE STILE
OUTSWING



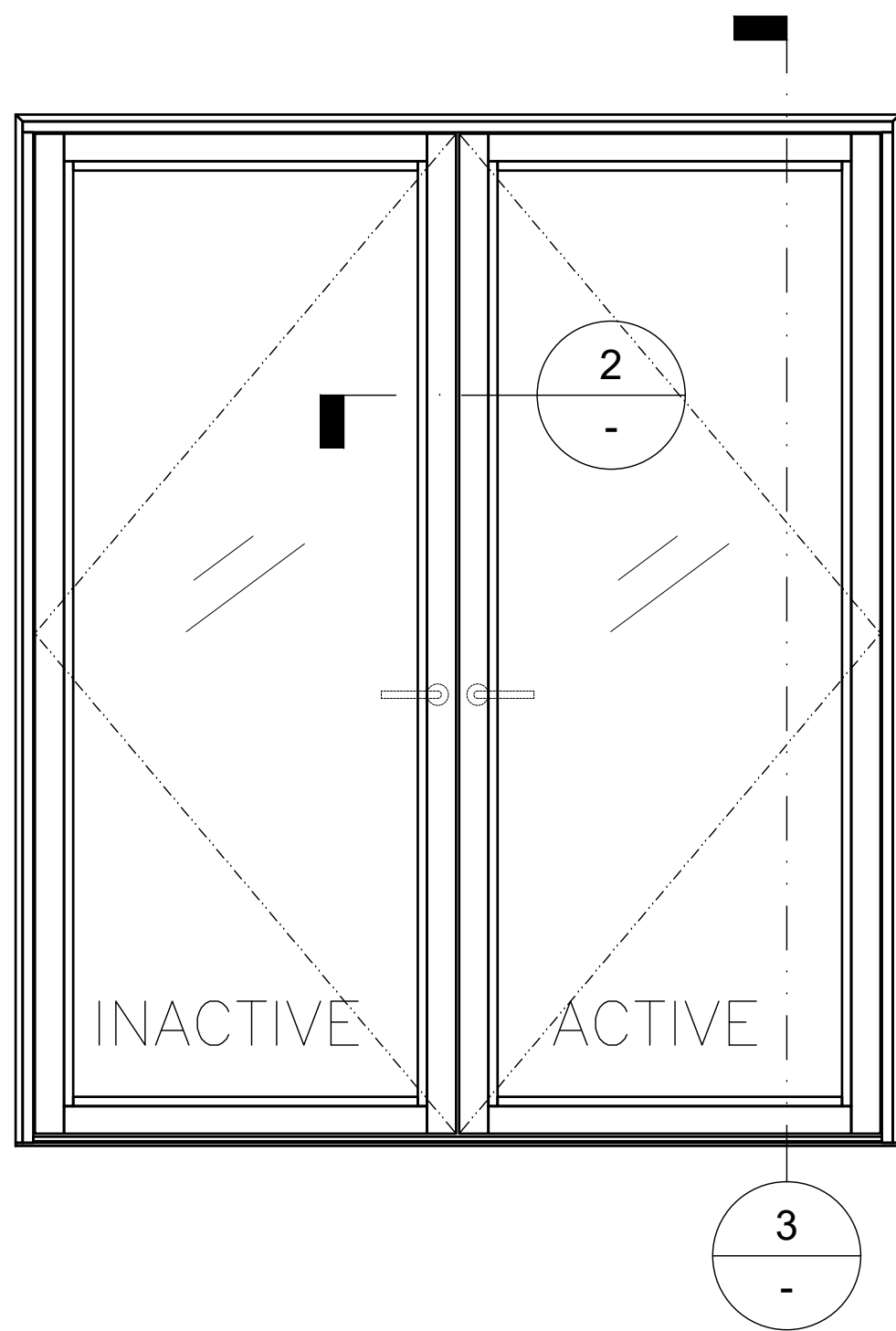
Scale: 1"=1"
Typical Details

VER.	DATE	CHANGE OR ADDITION
5/23/23		

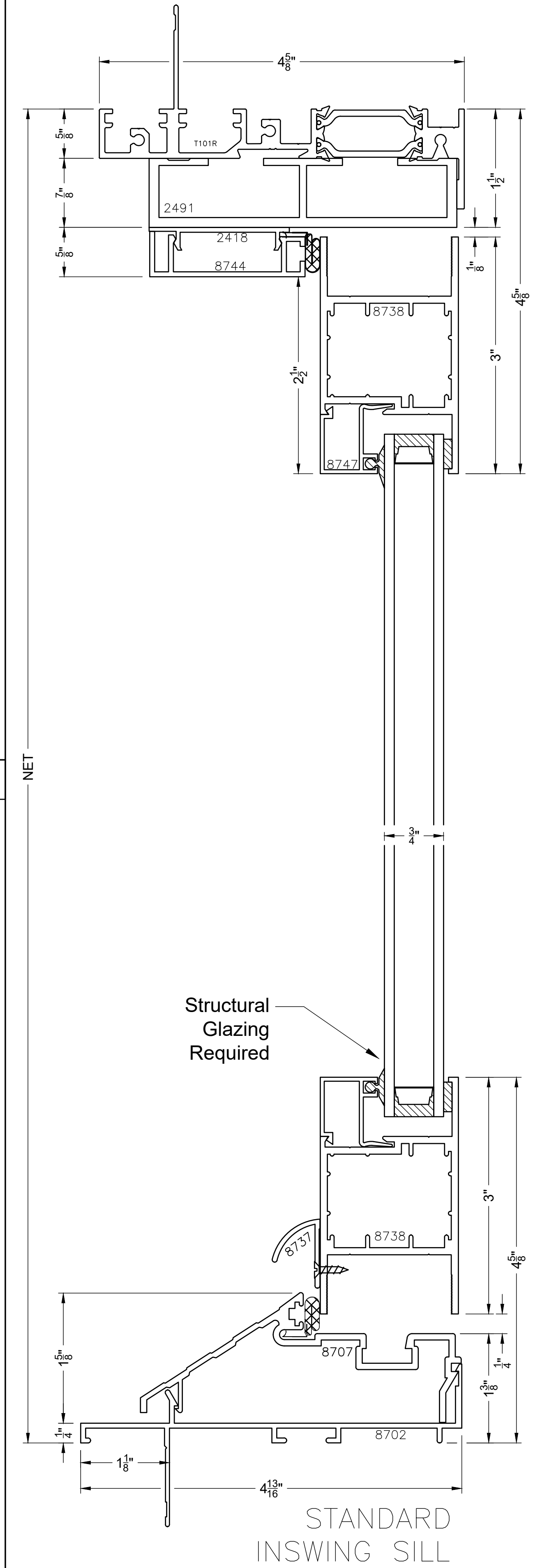
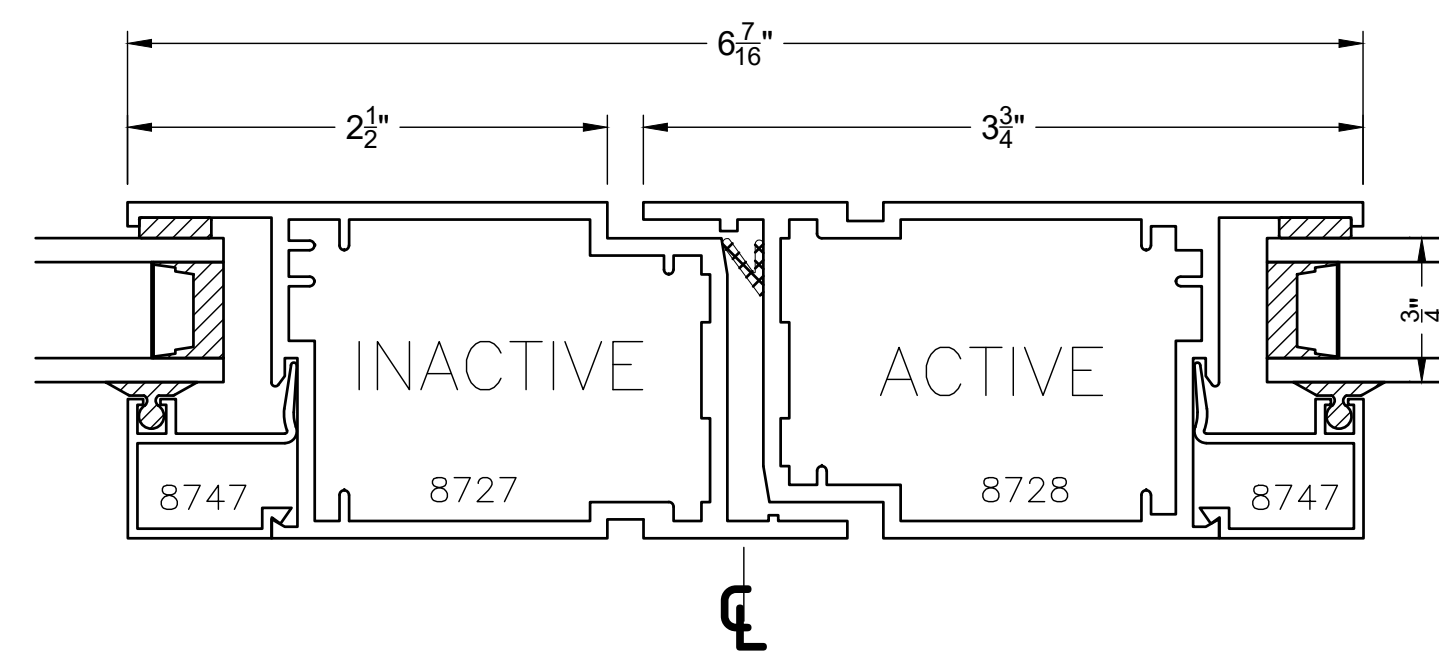
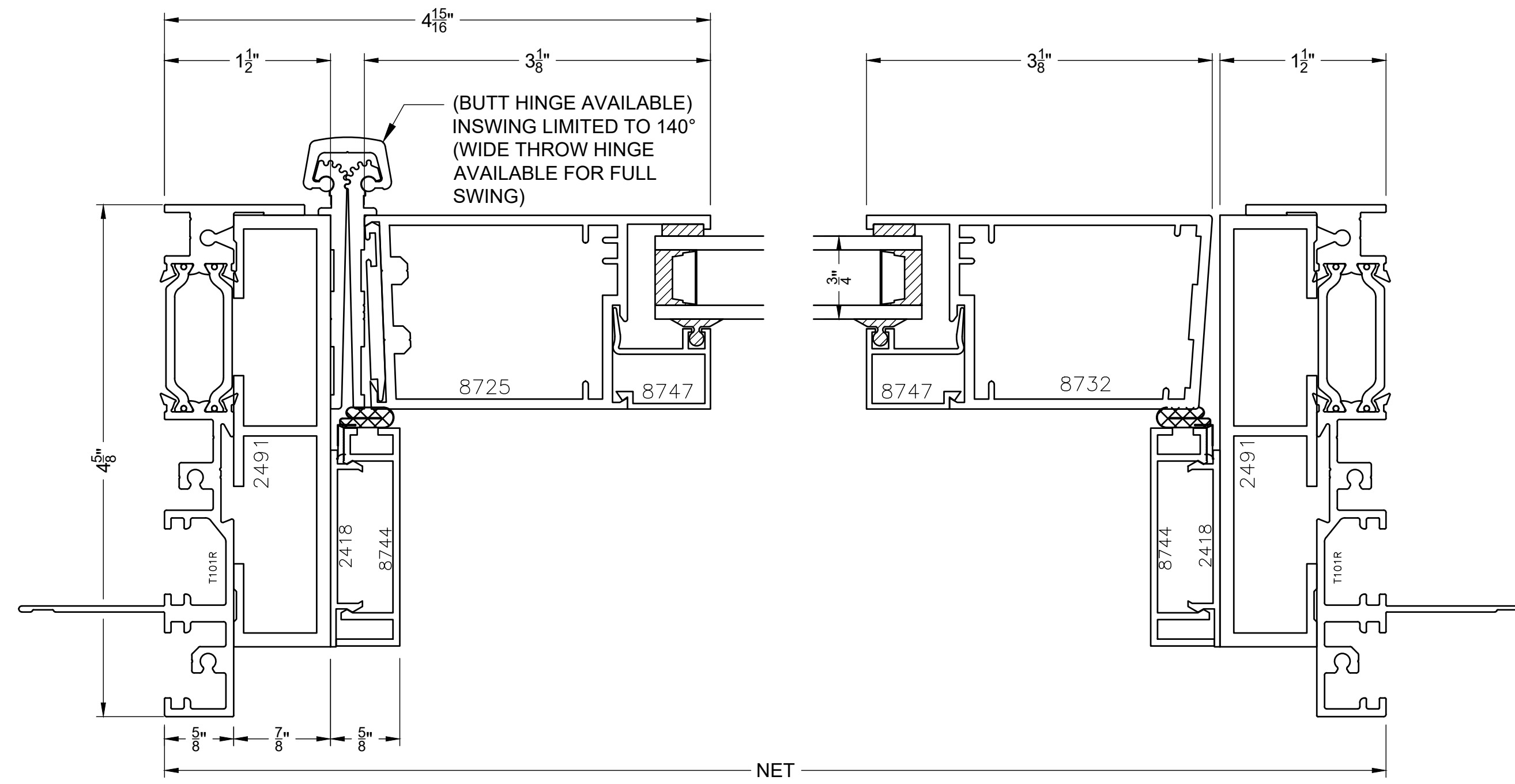
DRAWN BY: SD Team



SWING DOOR
NARROW STILE
INSWING
HINGE LEFT



XX SWING DOOR
NARROW STILE
INSWING



Scale: 1"=1"
Typical Details

VER.	DATE	CHANGE OR ADDITION
	5/23/23	

DRAWN BY: SD Team

ELEVATION

NTS

1

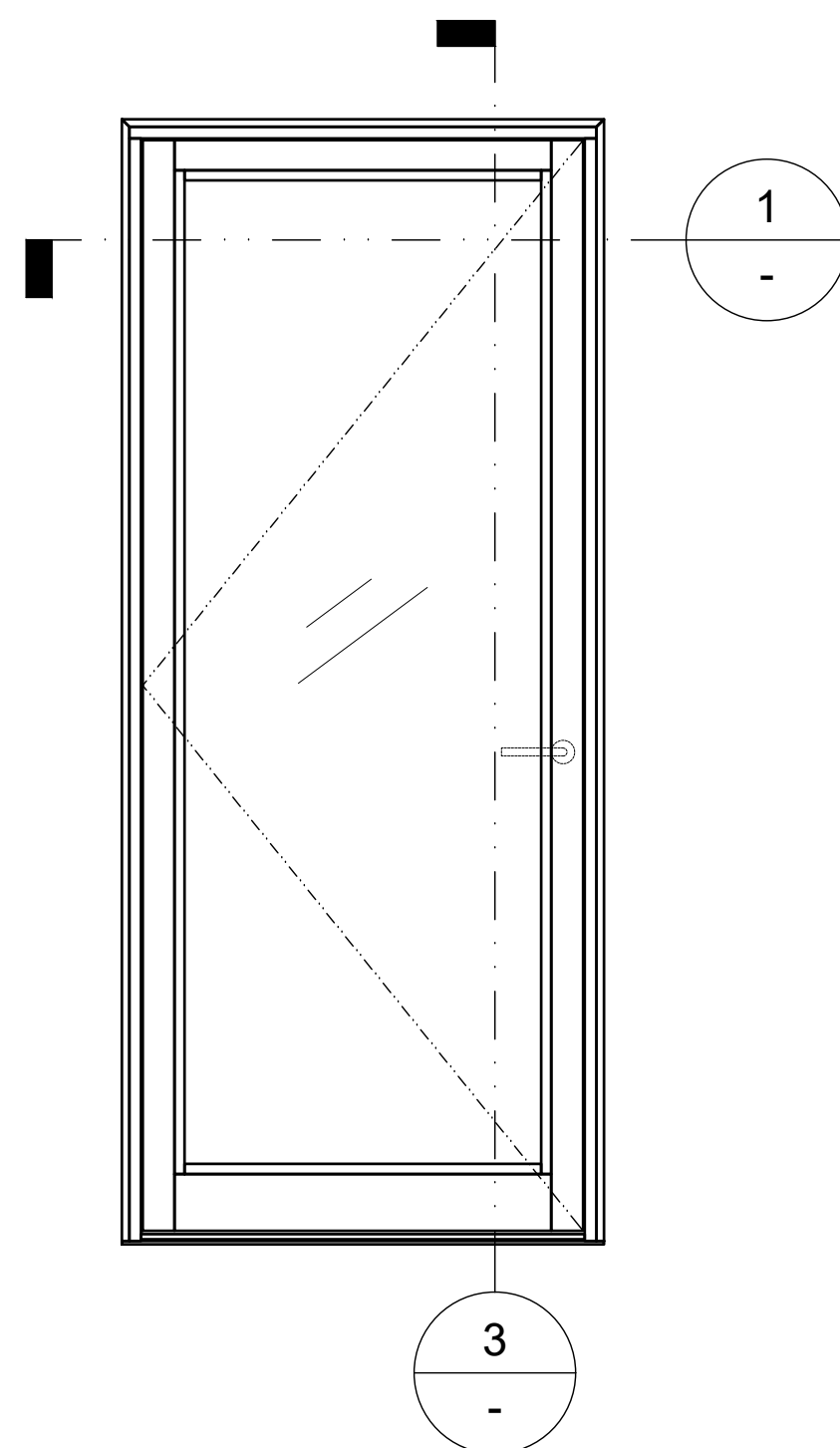
SWING DOOR INSWING, NARROW STILE

Scale 1:1

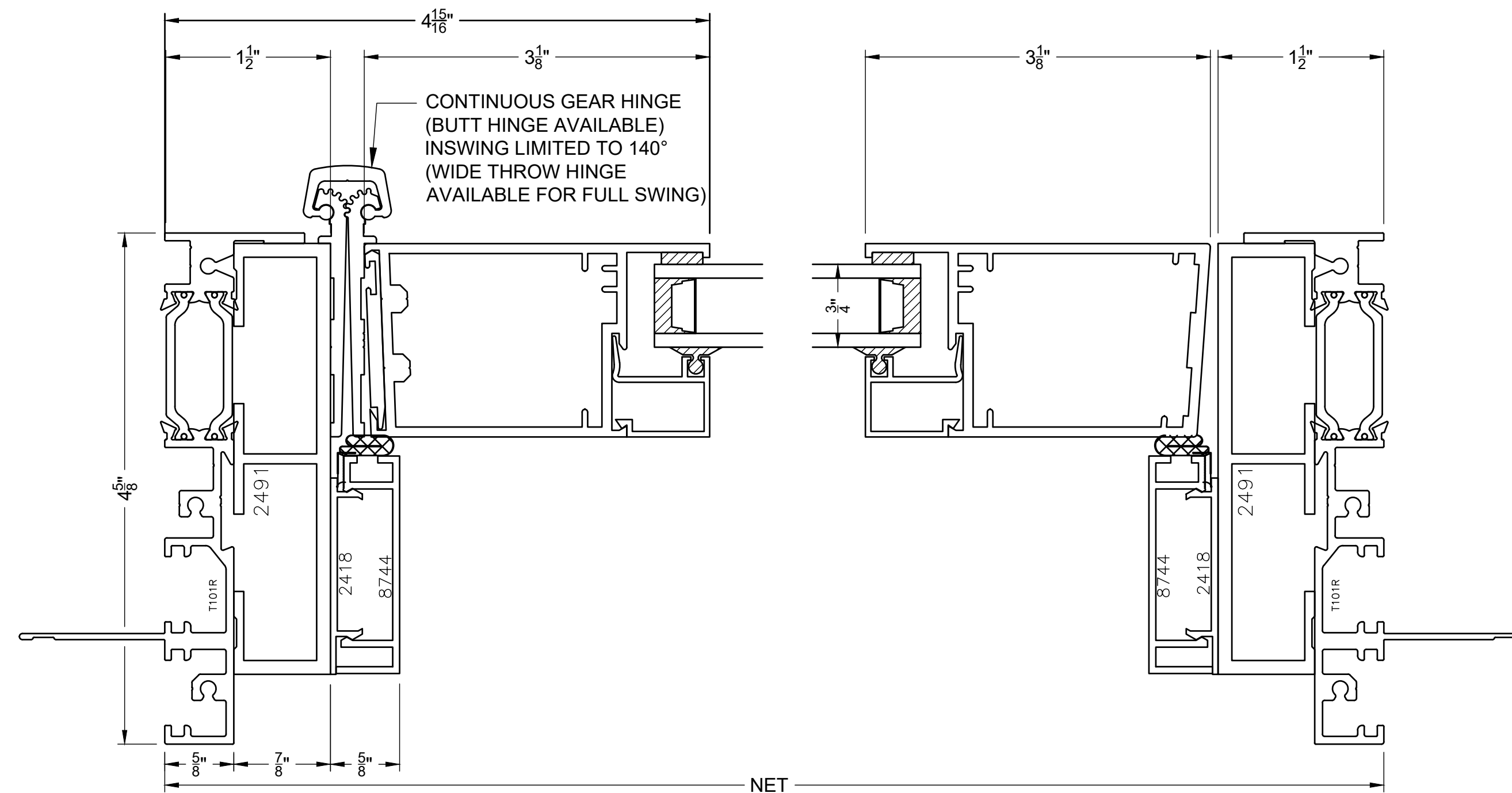
3

SWING DOOR INSWING

Scale 1:1

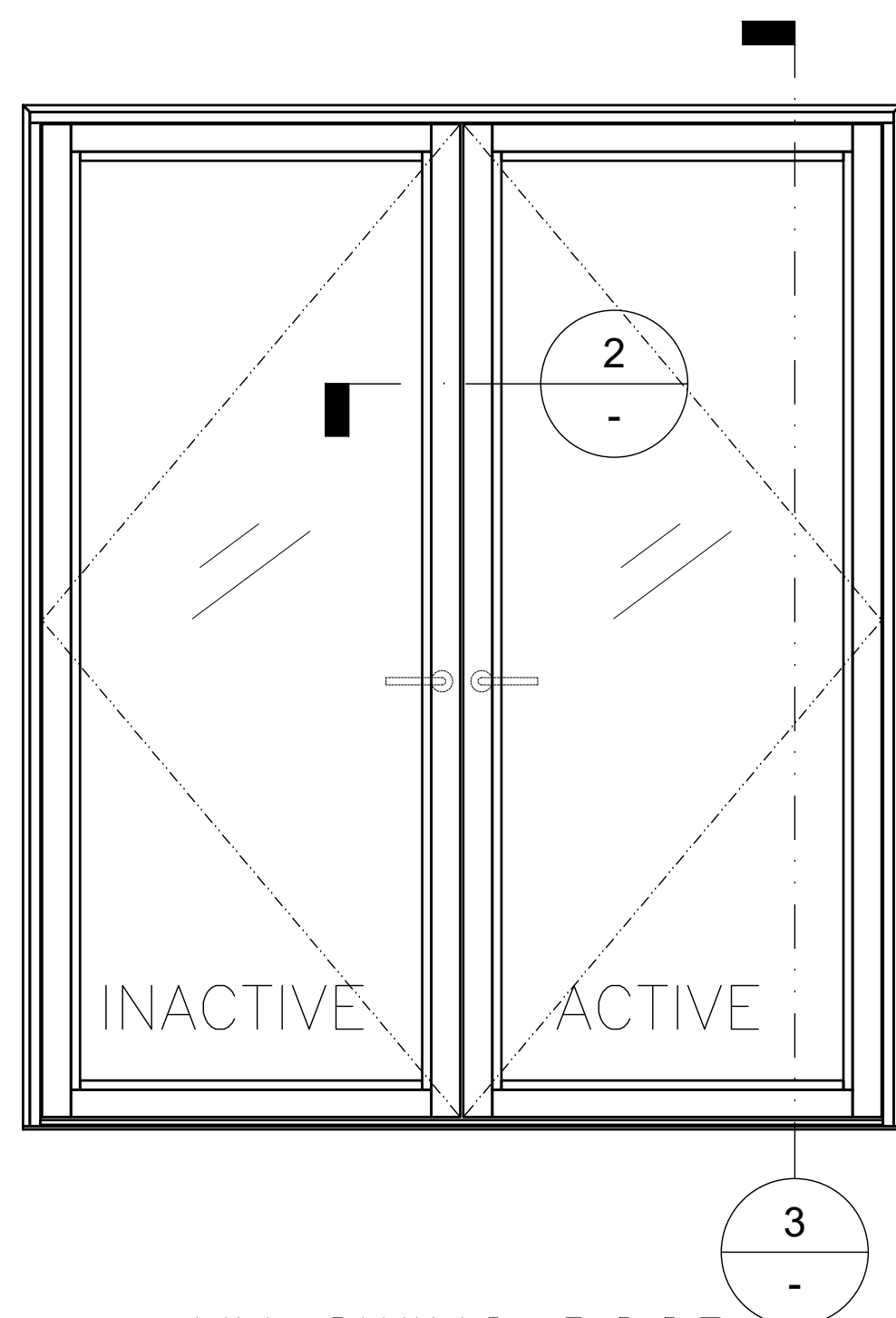


SWING DOOR
NARROW STILE
INSWING
HINGE LEFT

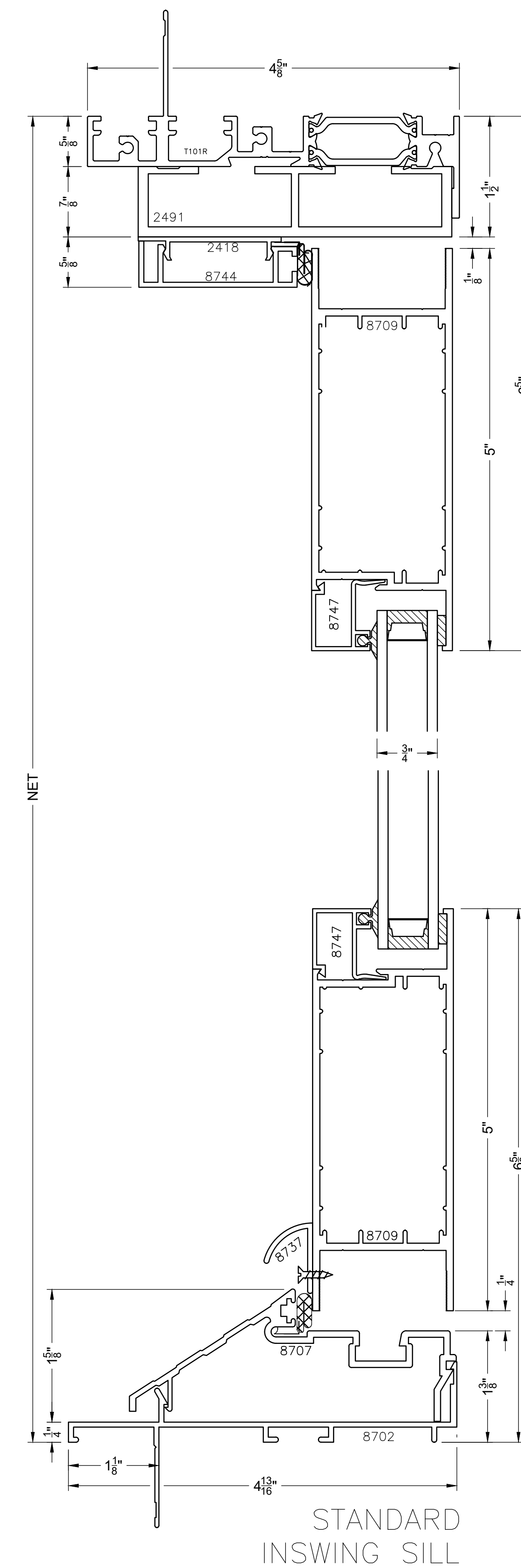
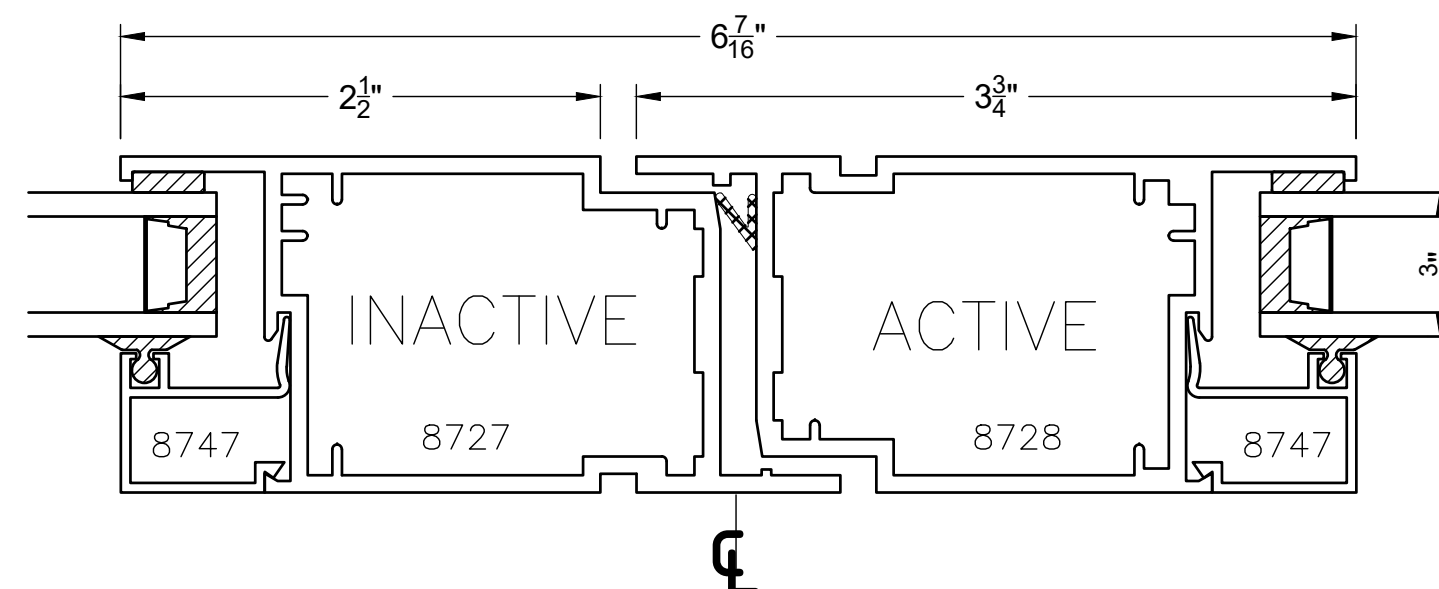


2

Scale 1:1



XX SWING DOOR
NARROW STILE
INSWING



Scale: 1"=1"
Typical Details

T450 REVISED

VER.	DATE	CHANGE OR ADDITION
5/23/23		

DRAWN BY: SD Team

ELEVATION

NTS

1

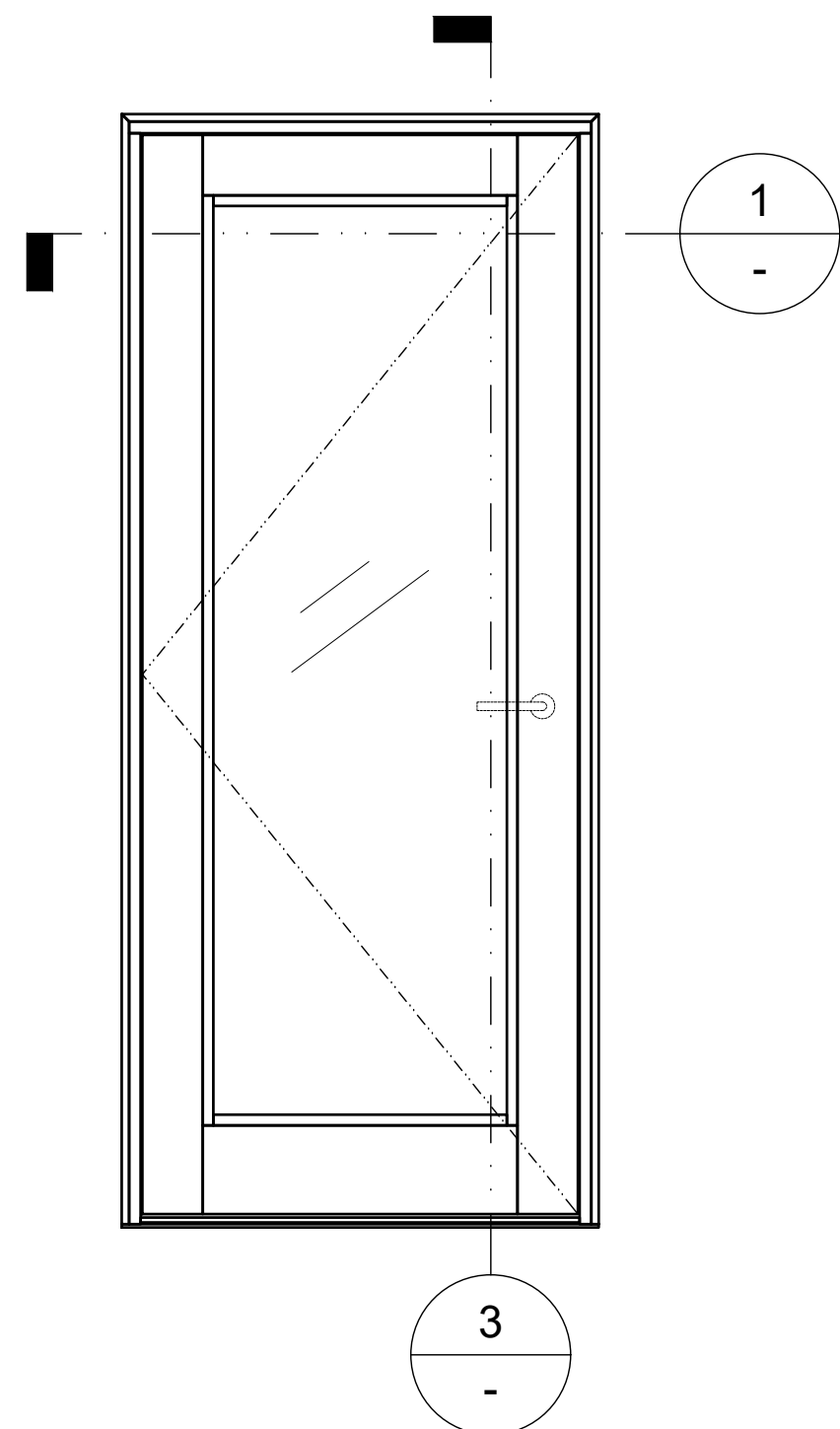
SWING DOOR INSWING, WIDE STILE

Scale 1:1

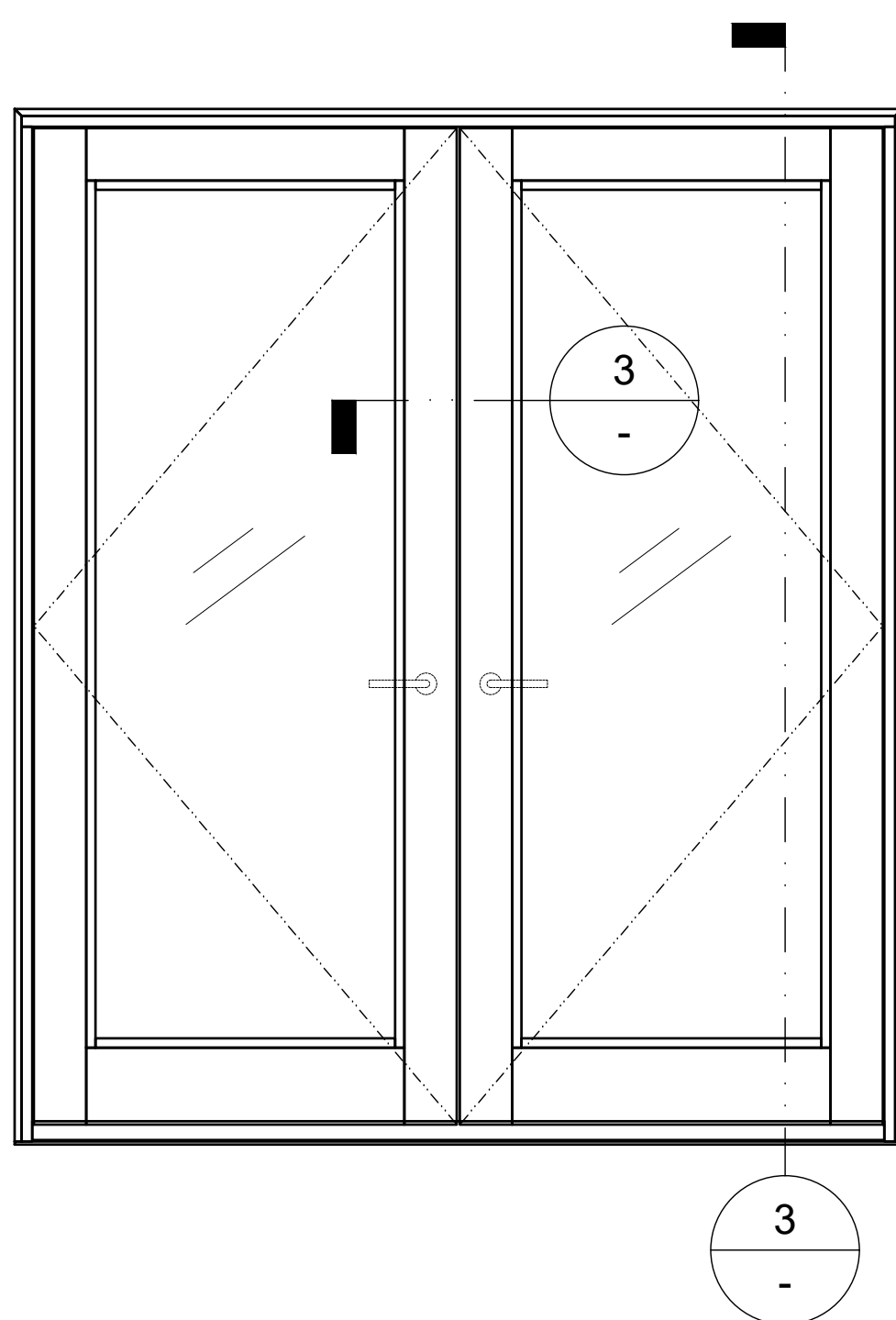
3

SWING DOOR INSWING

Scale 1:1



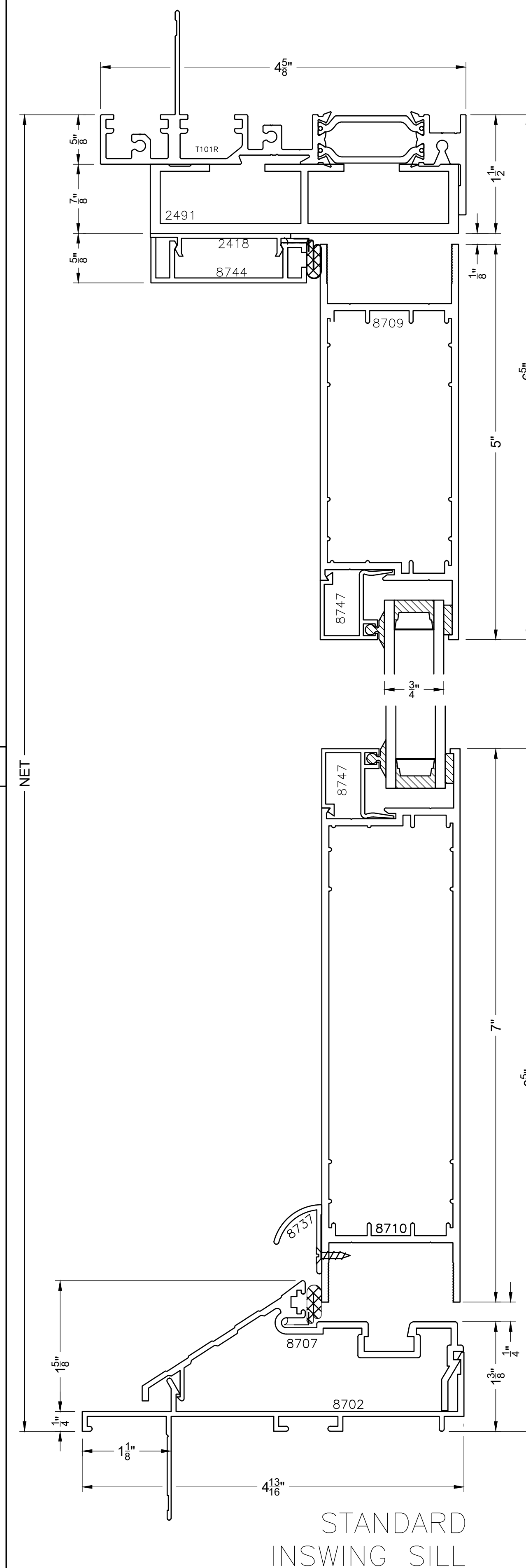
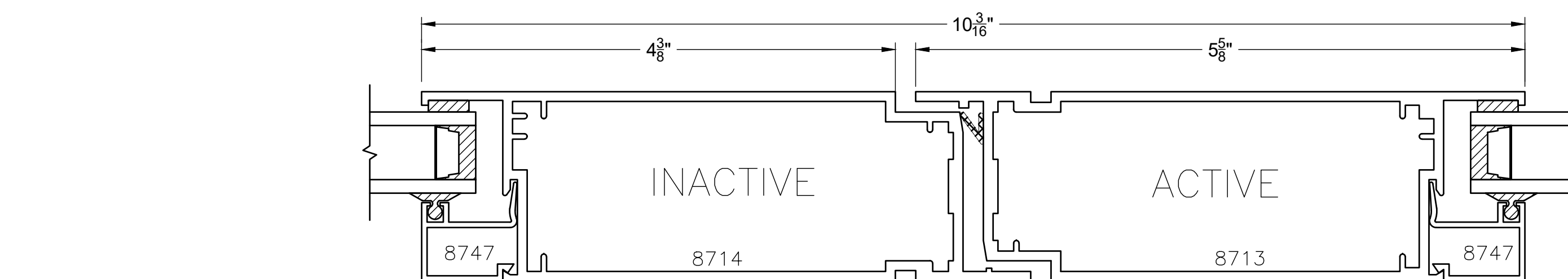
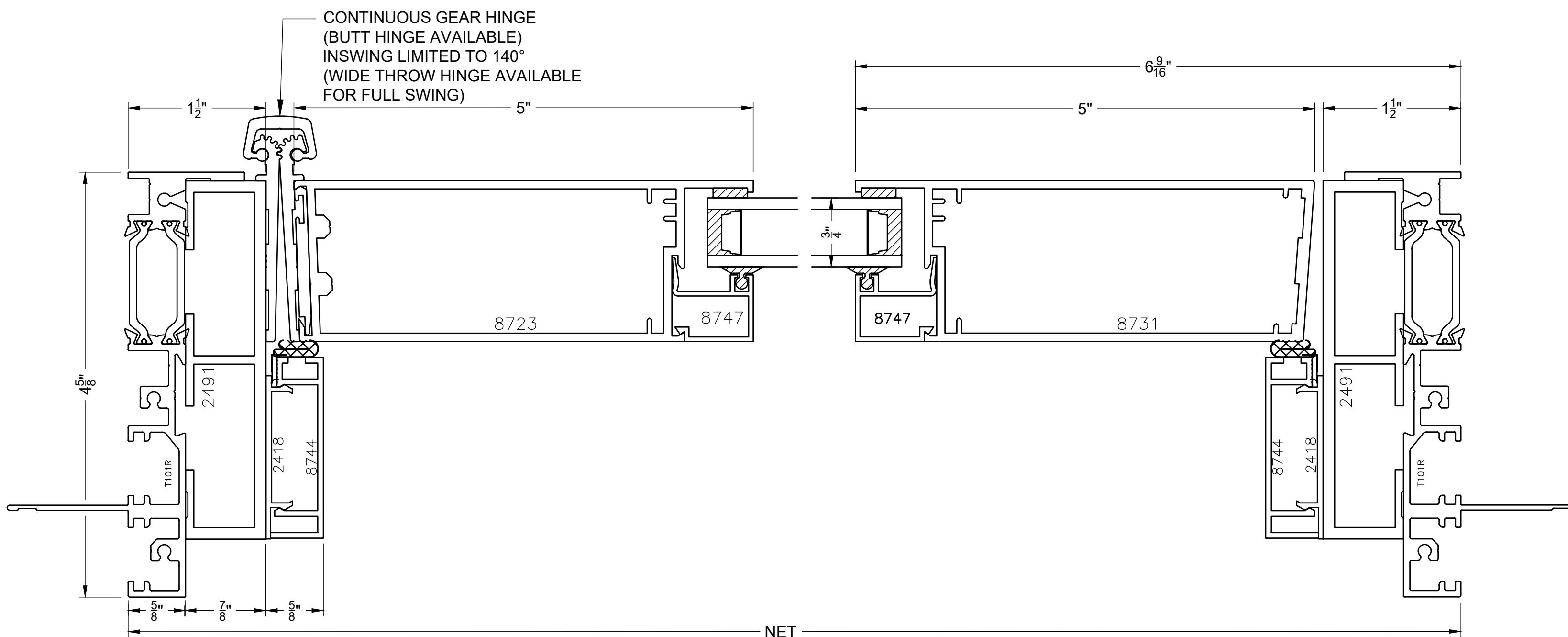
SWING DOOR
WIDE STILE
INSWING
HINGE LEFT



XX SWING DOOR
WIDE STILE
INSWING

2

Scale 1:1



Scale: 1"=1"
Typical Details

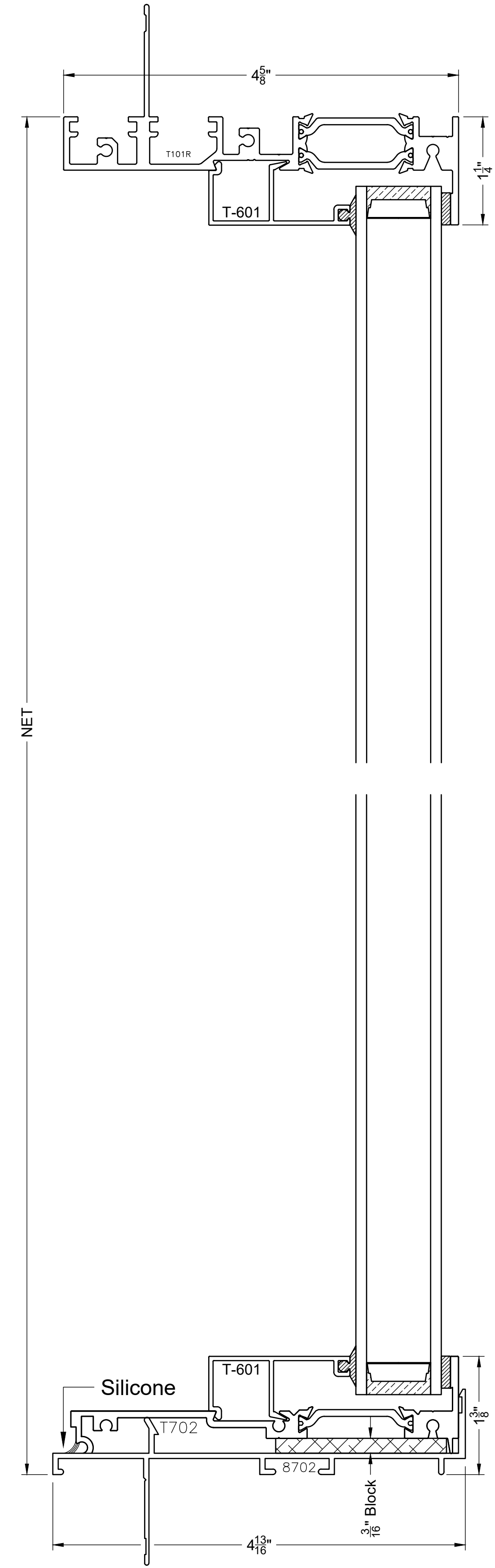
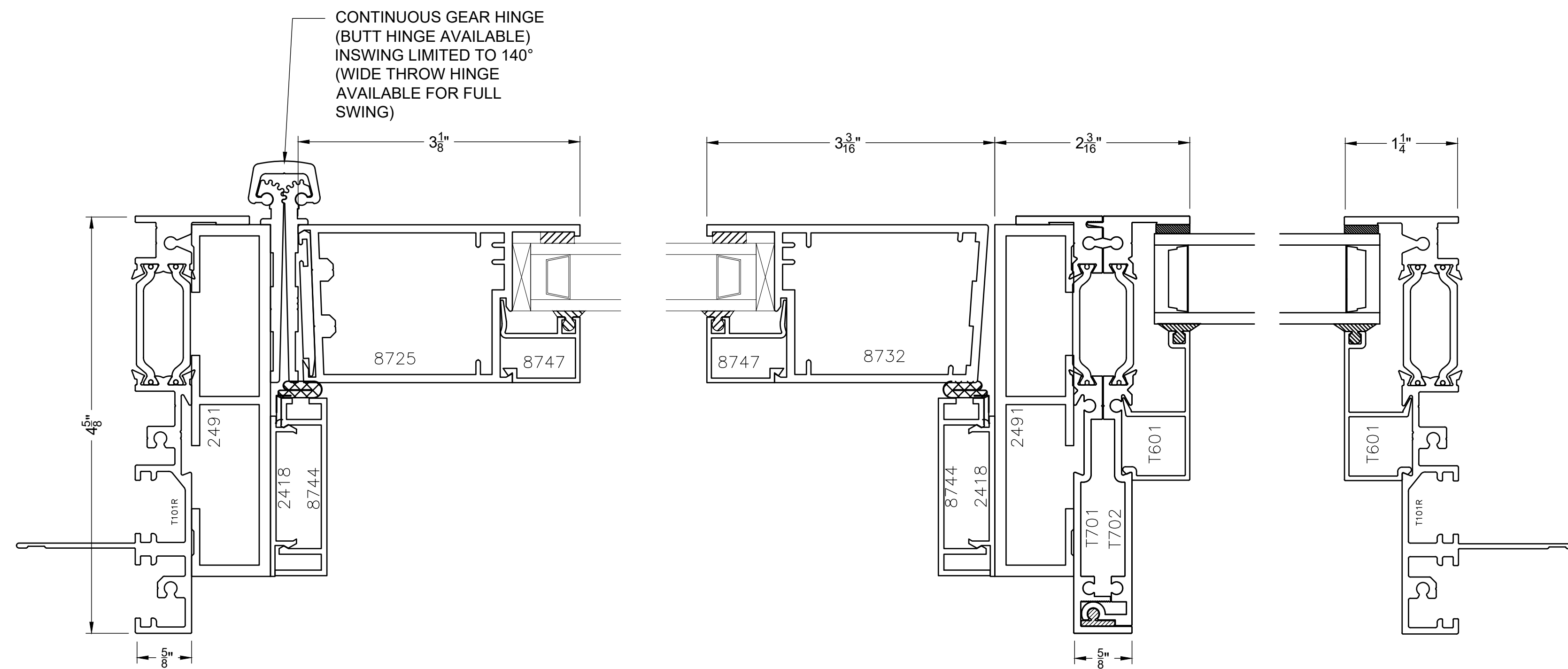
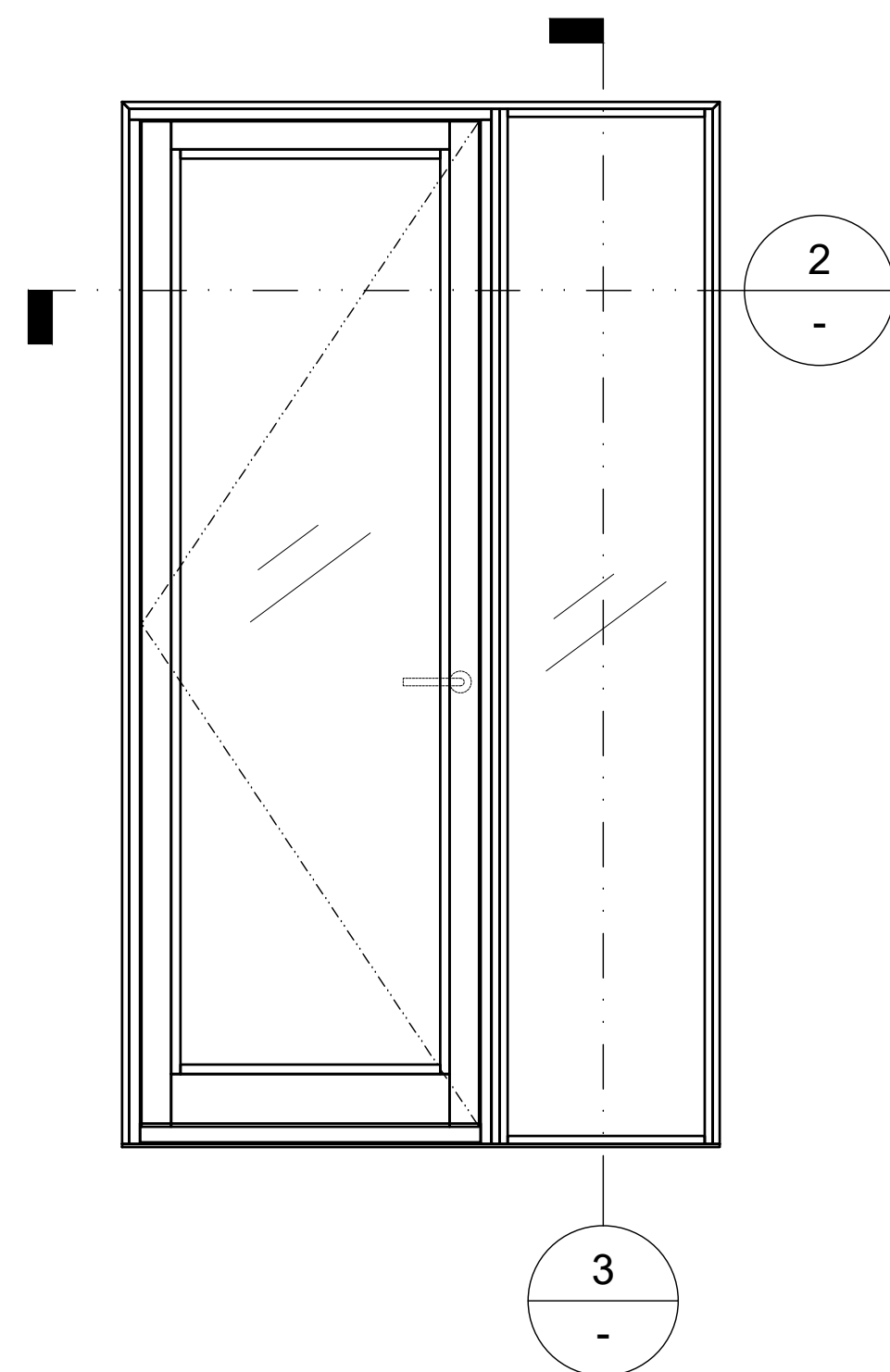
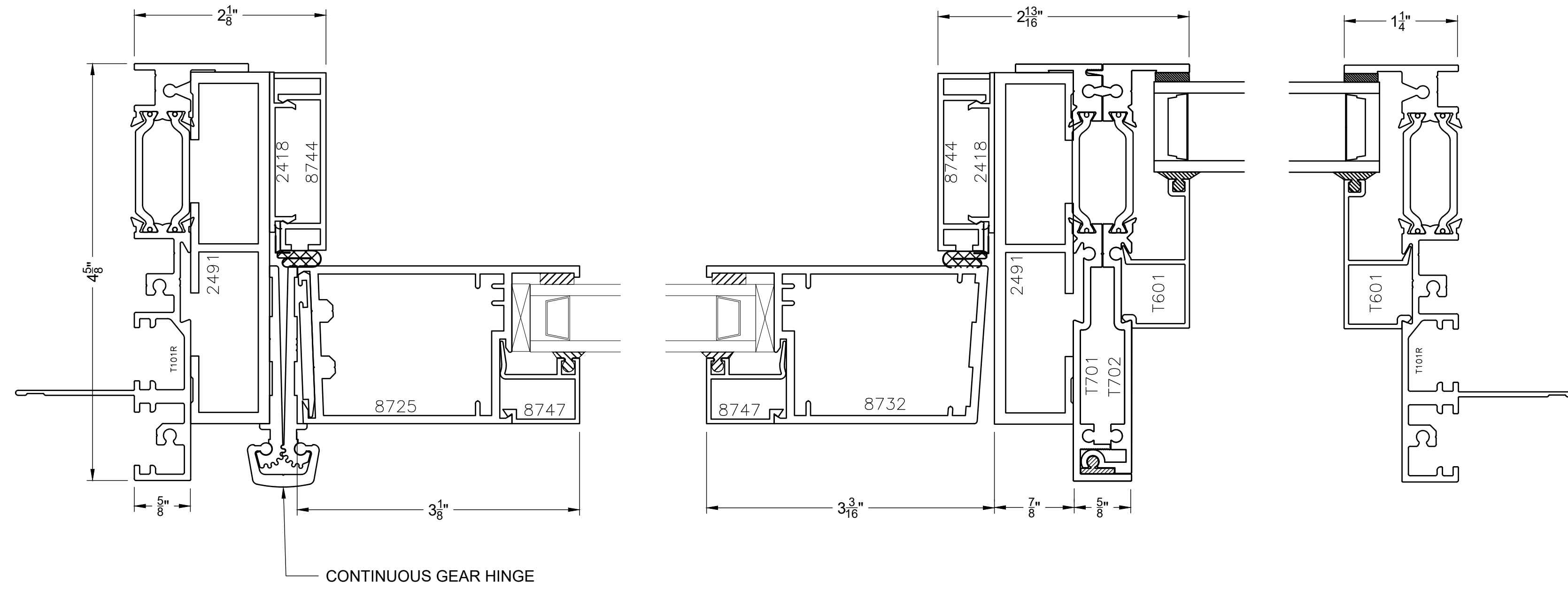
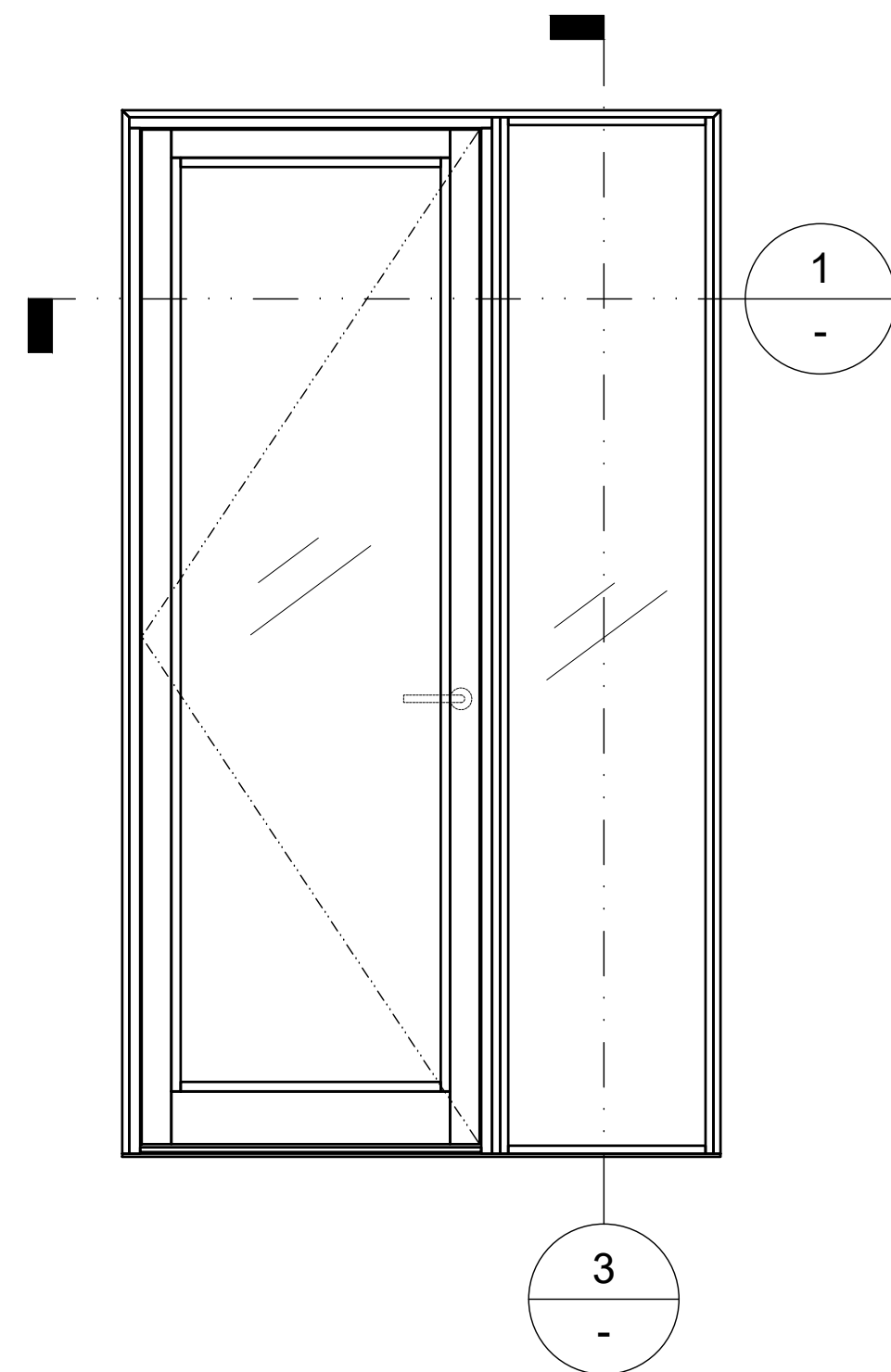
VER.	DATE	CHANGE OR ADDITION
5/23/23		

DRAWN BY: SD Team

BLOMBERG

14

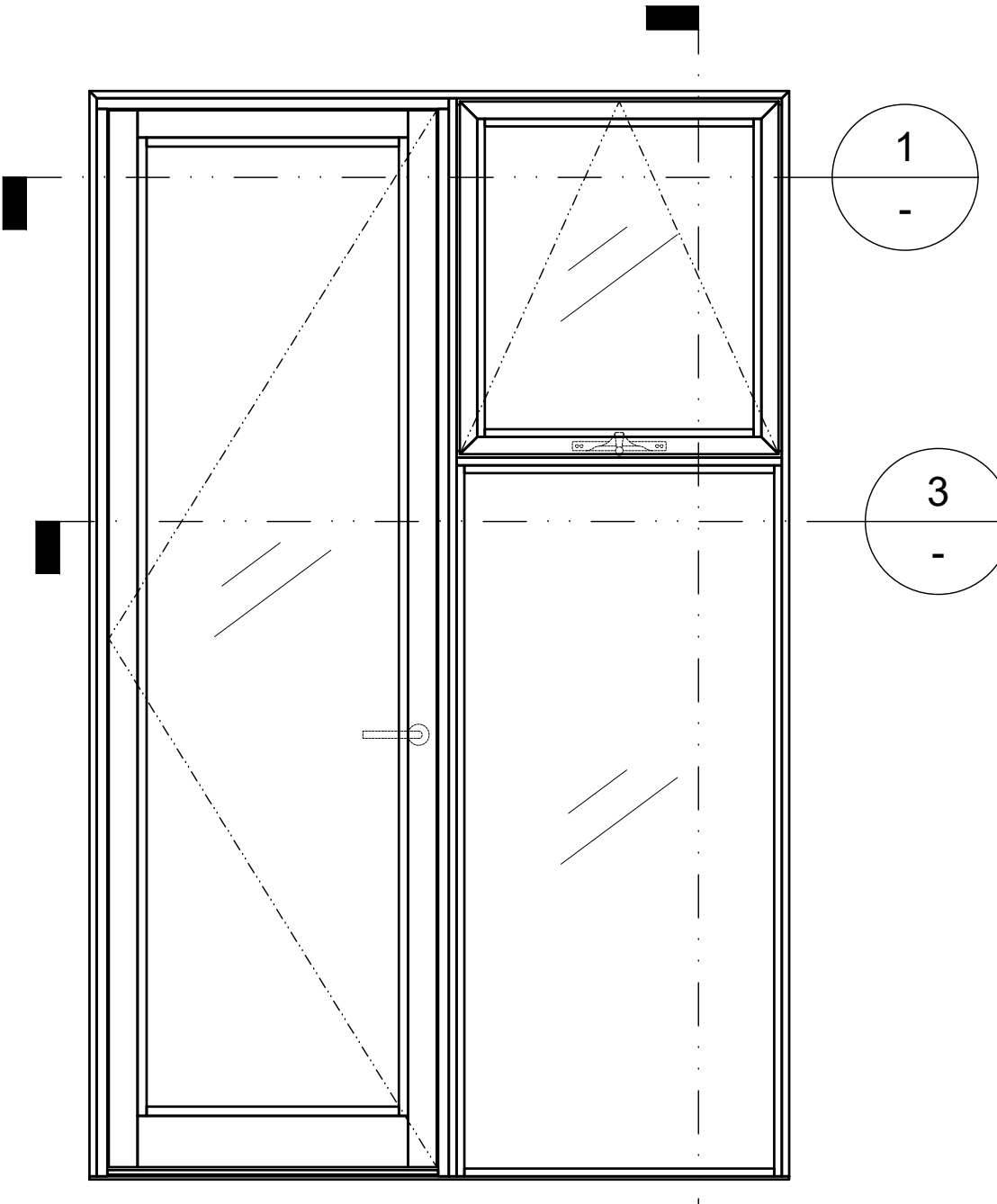
PLOT DATE 8/22/2023



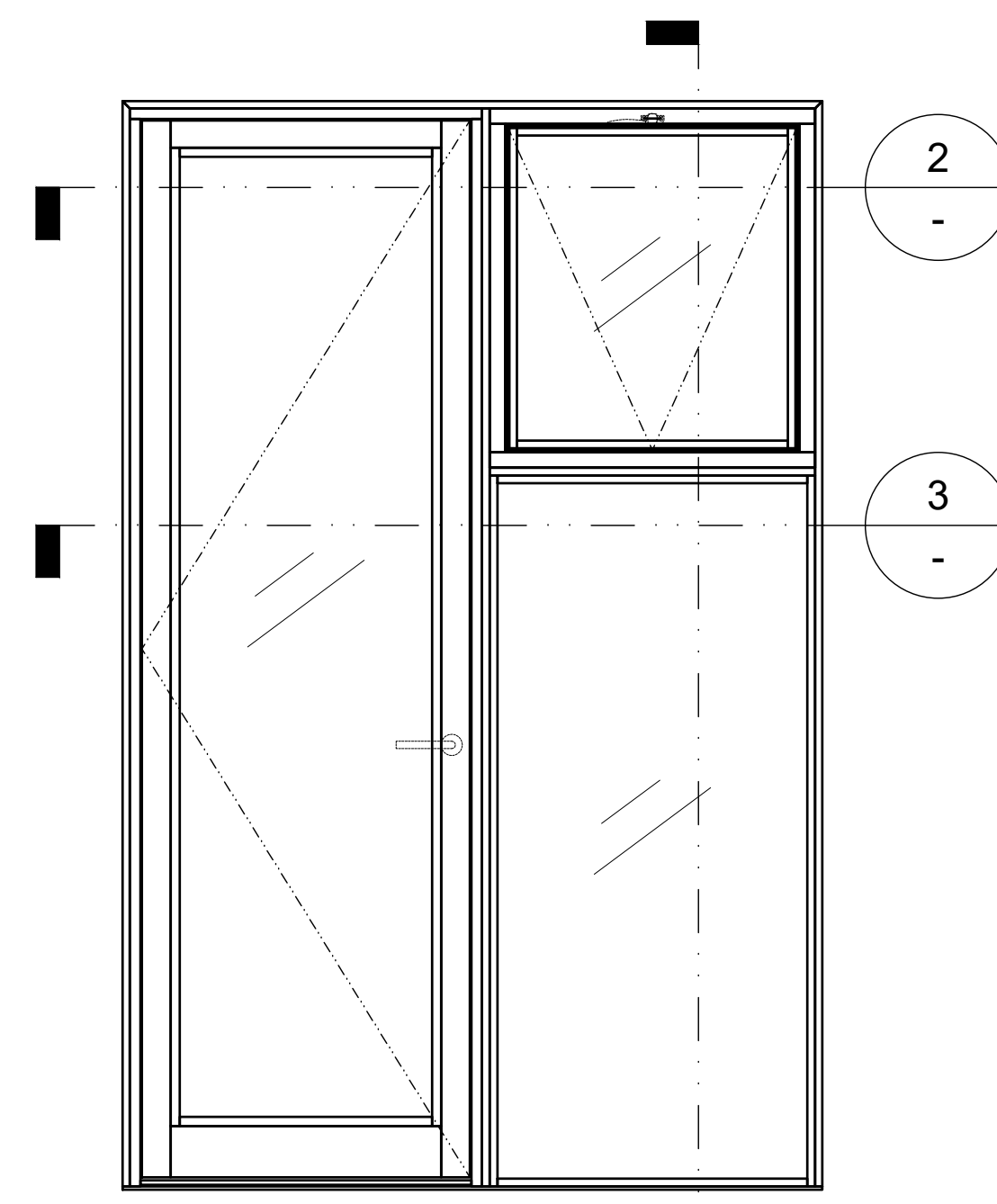
VER.	DATE	CHANGE OR ADDITION
5/23/23		

DRAWN BY: SD Team

1 SWING DOOR INSWING SIDELITE NTS



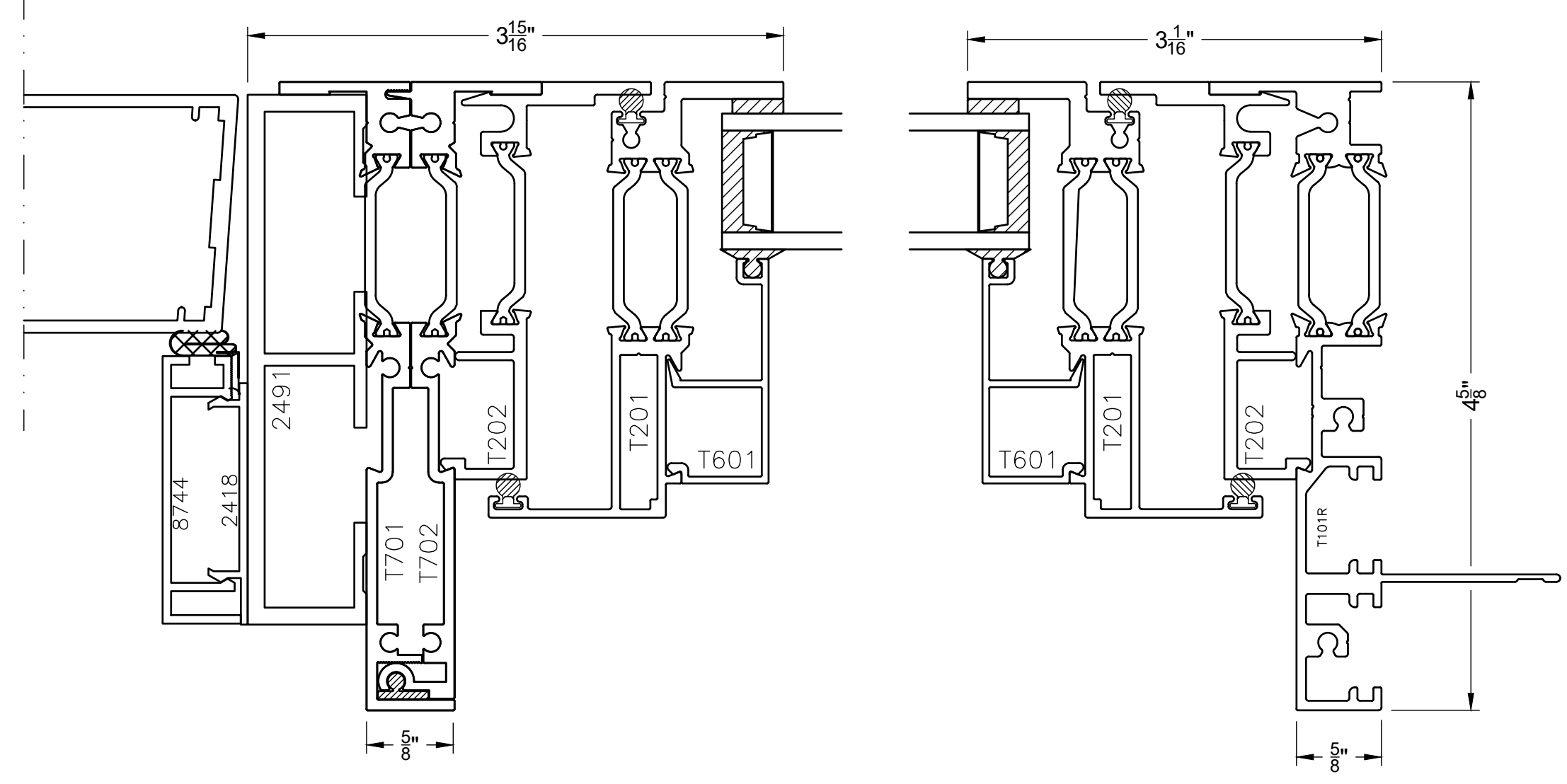
AWNING SIDELITE 4



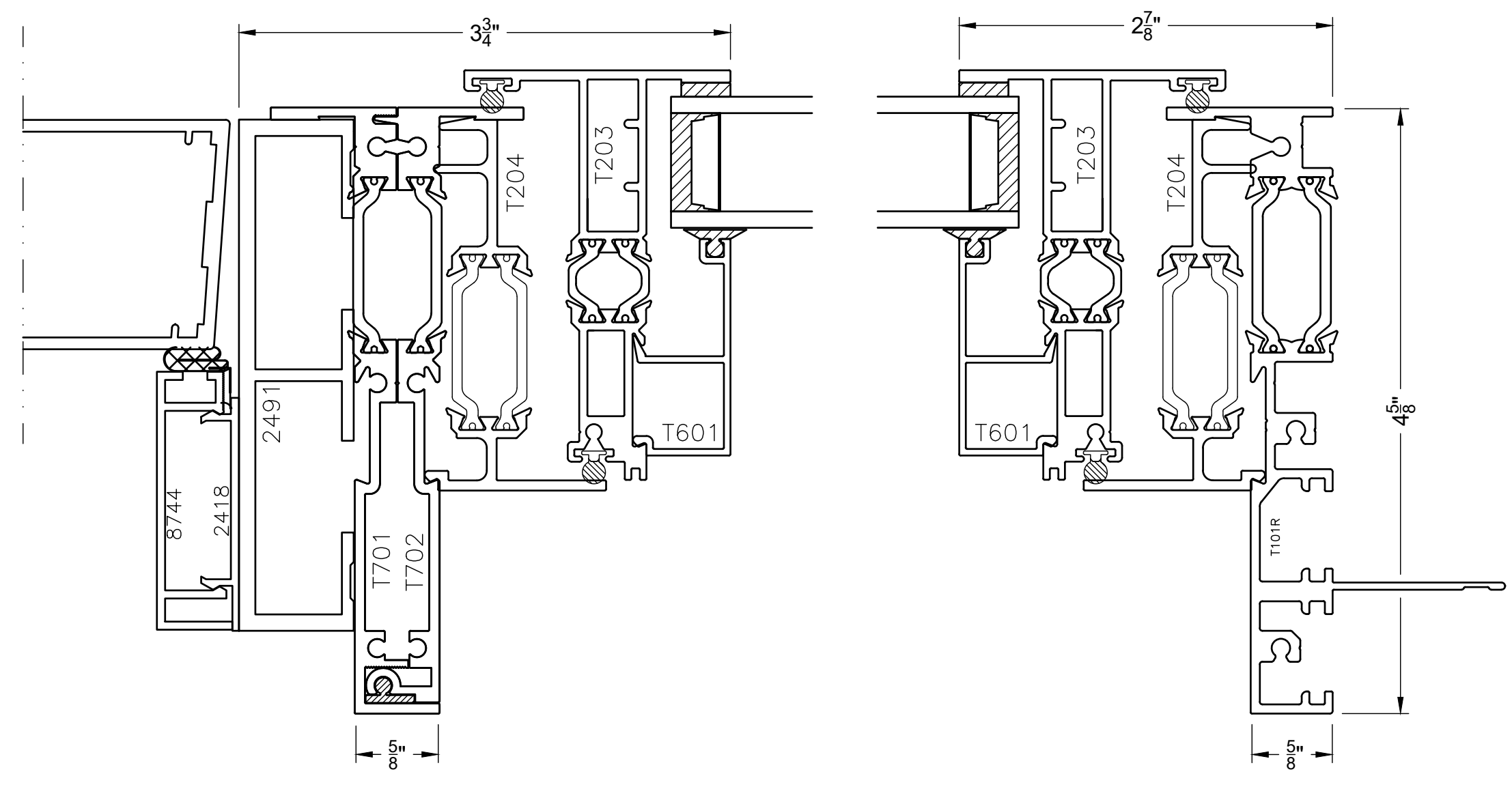
HOPPER SIDELITE 5

*Hardware location only shown on exterior elevations.

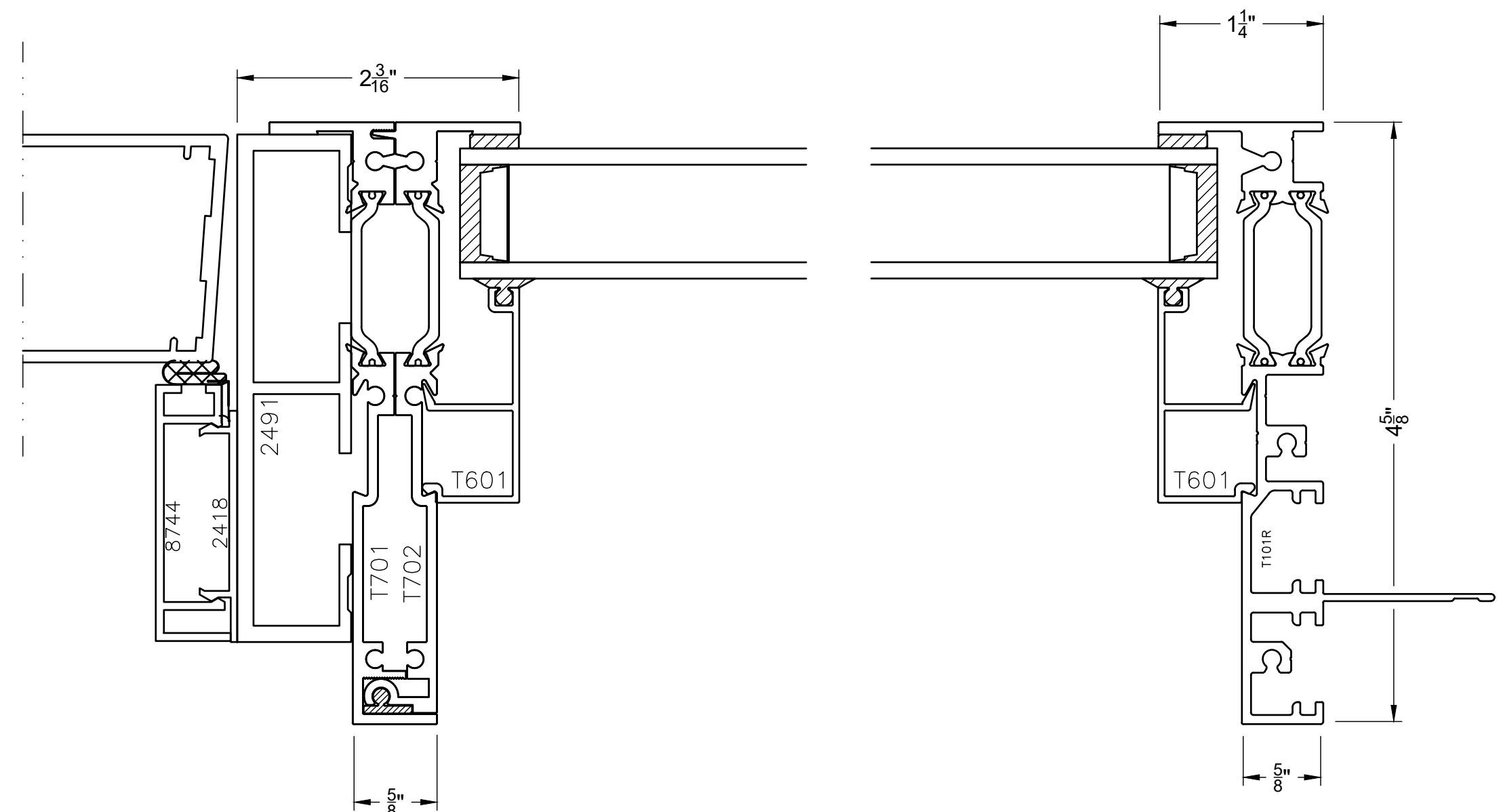
1 AWNING SIDELITE Scale 1:1



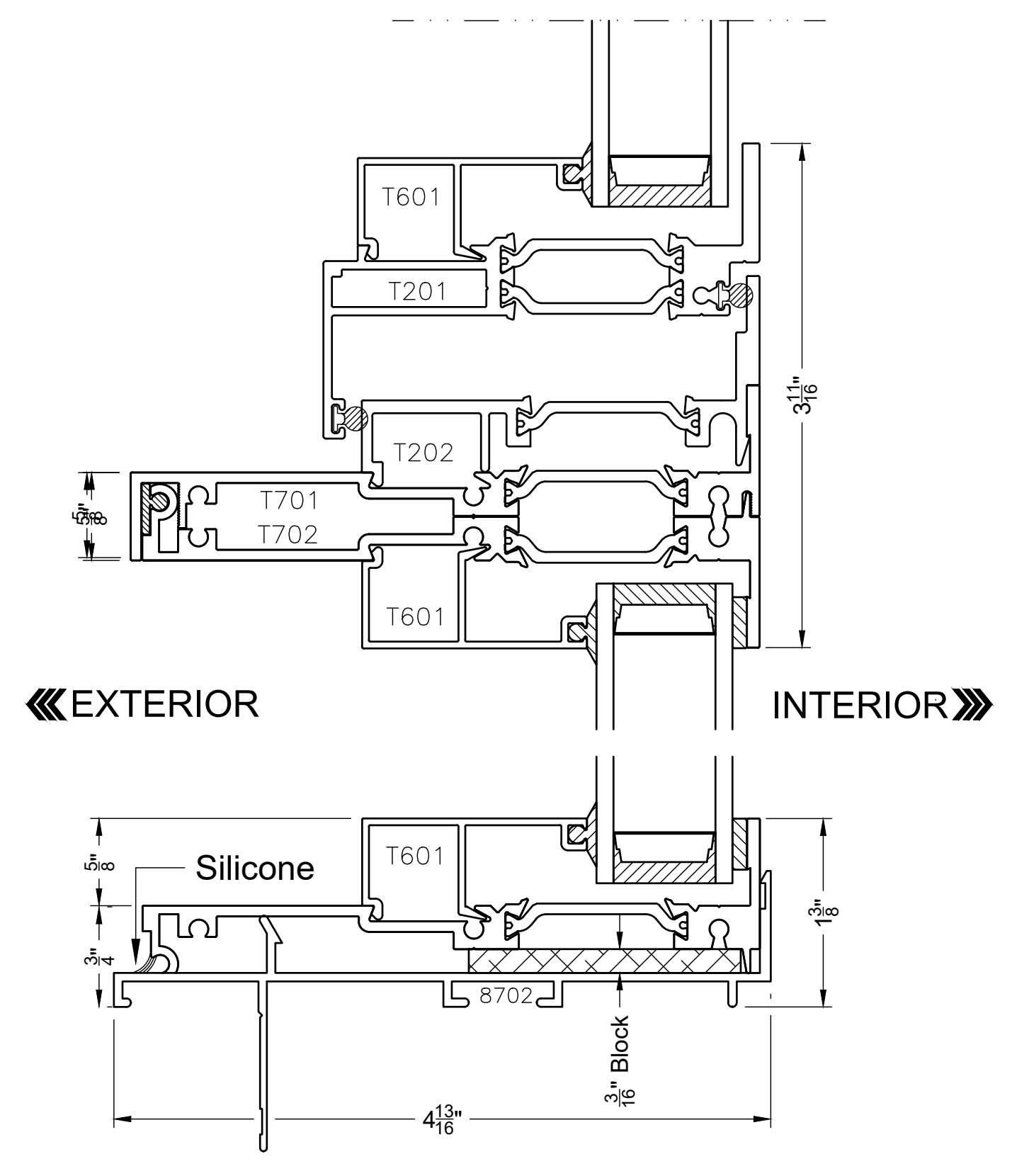
2 HOPPER SIDELITE Scale 1:1



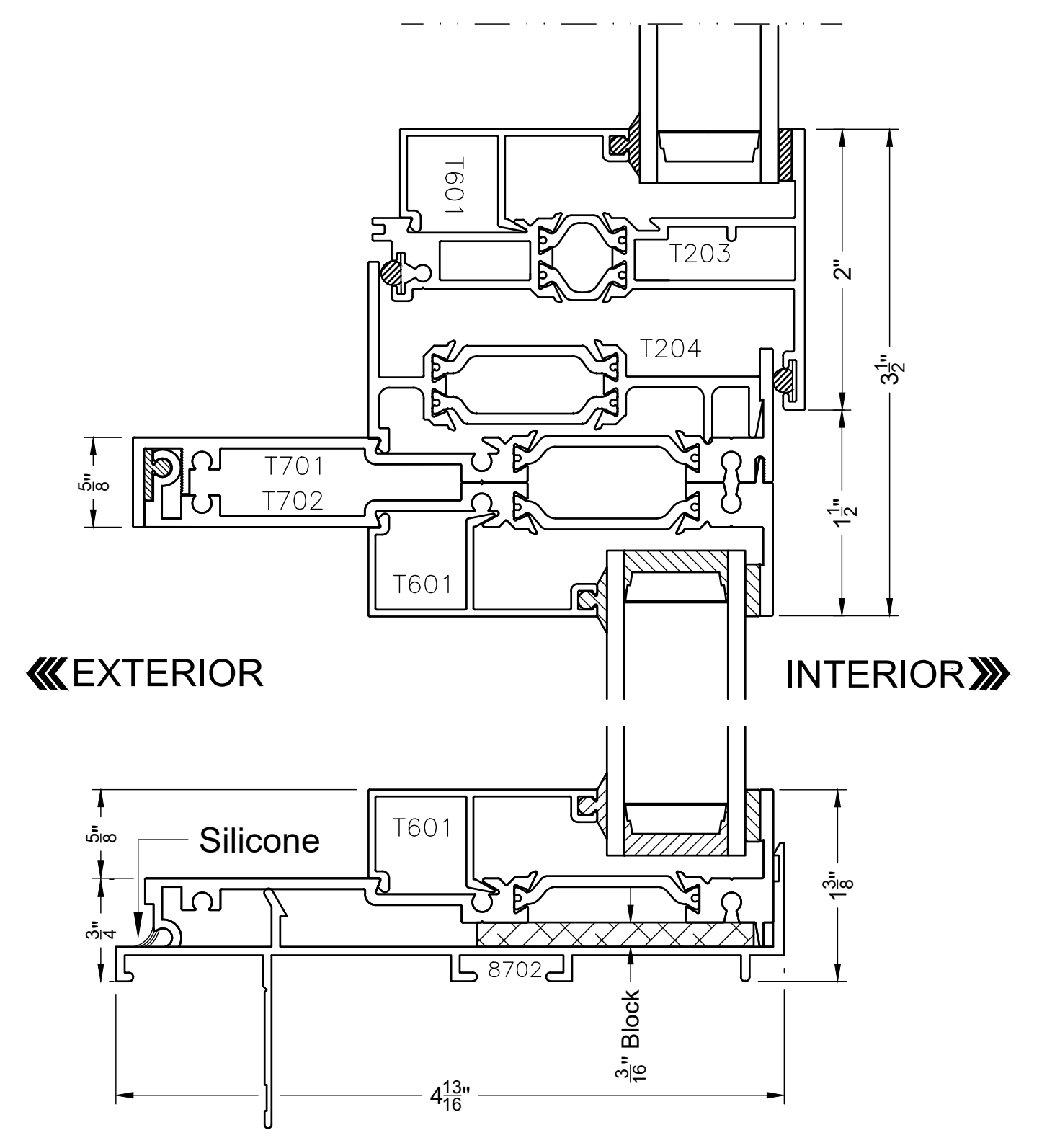
3 FIXED SIDELITE Scale 1:1



4 AWNING / FIXED SIDELITE 1:1



5 HOPPER / FIXED SIDELITE 1:1

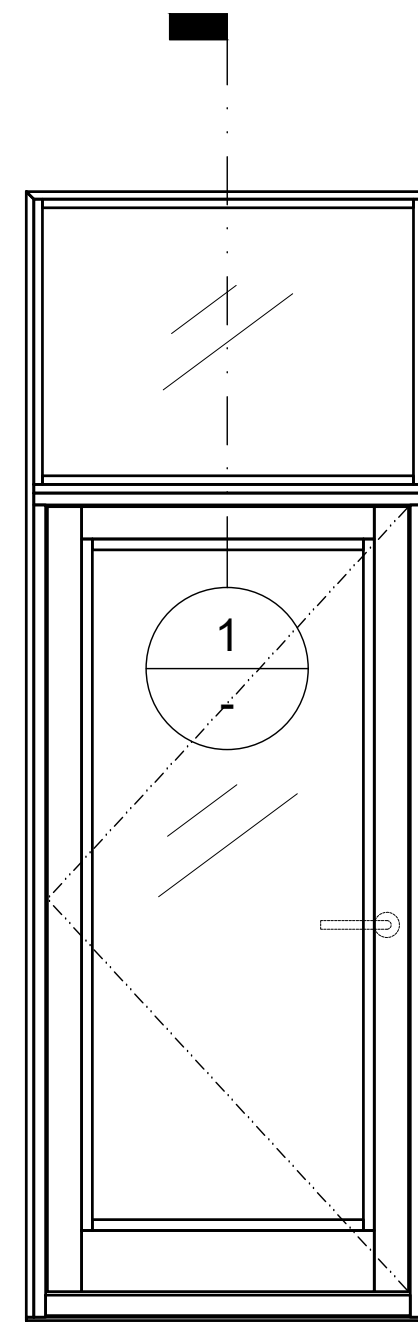


Scale: 1"=1"
Typical Details

T450 REVISED

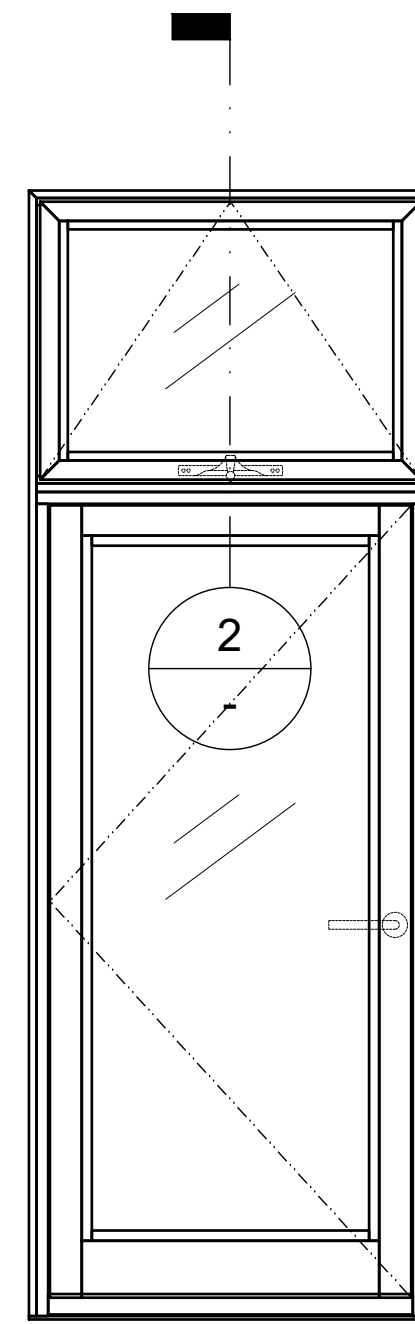
VER.	DATE	CHANGE OR ADDITION
5/23/23		

DRAWN BY: SD Team

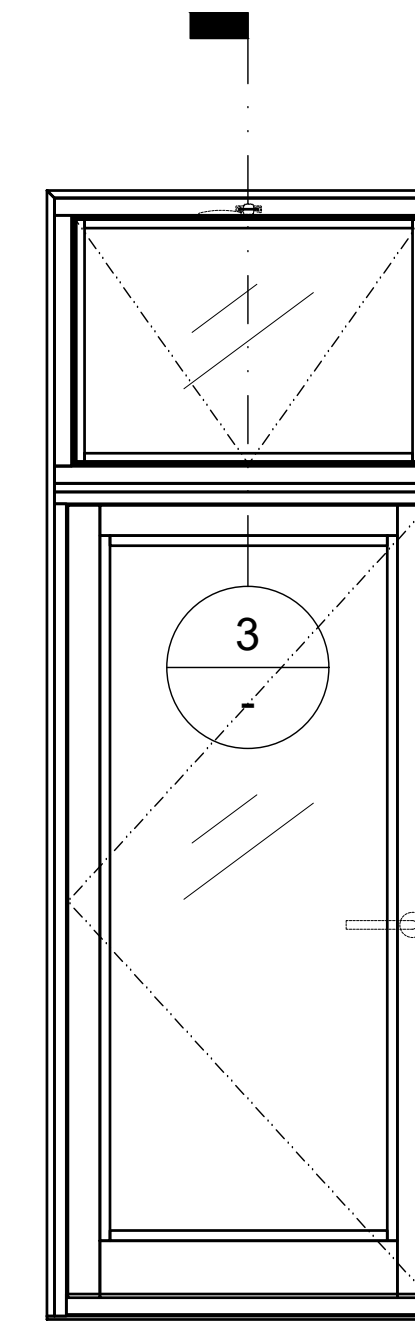


FIXED TRANSOM

*Hardware location only shown on exterior elevations.

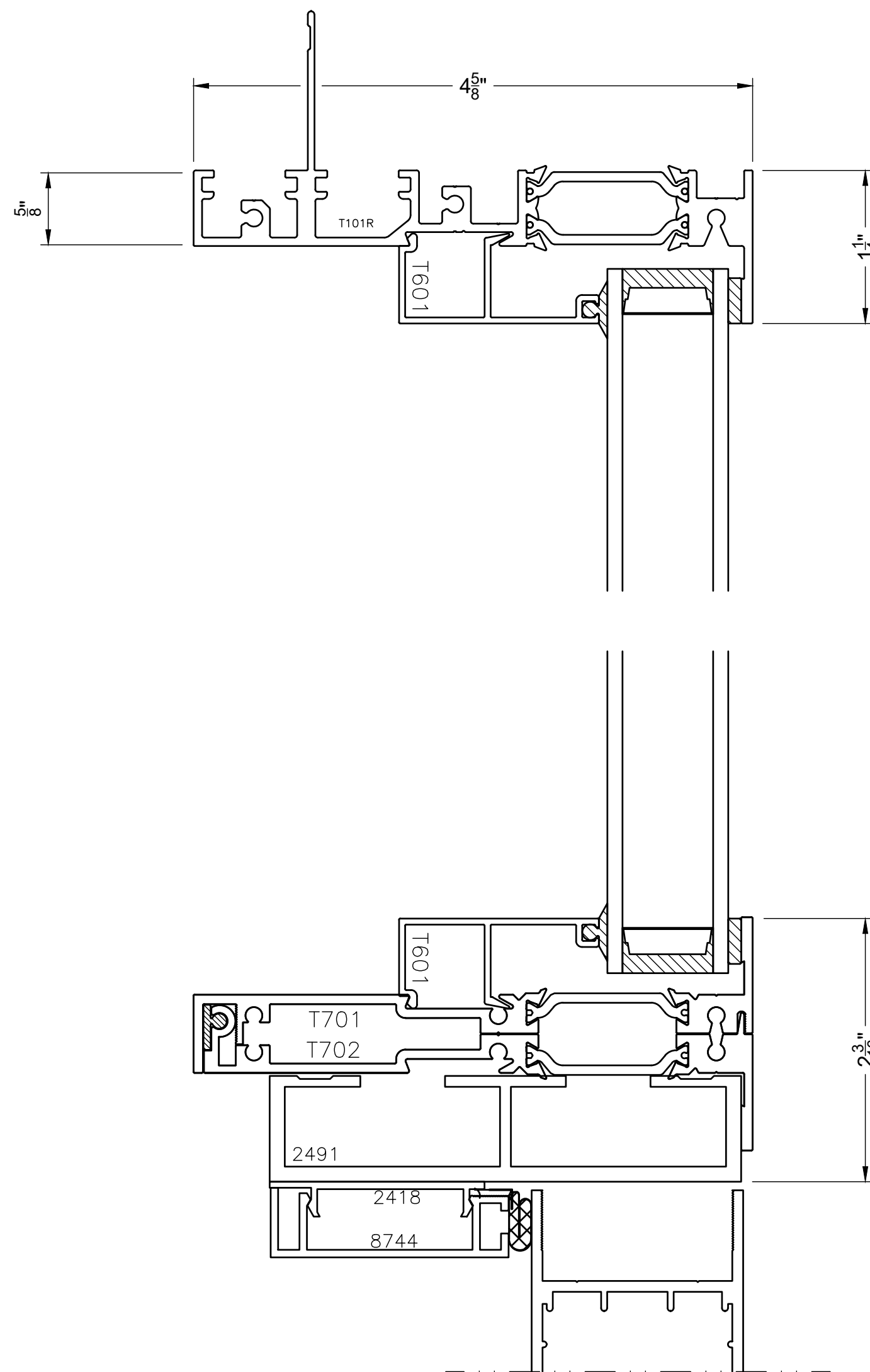


AWNING TRANSOM

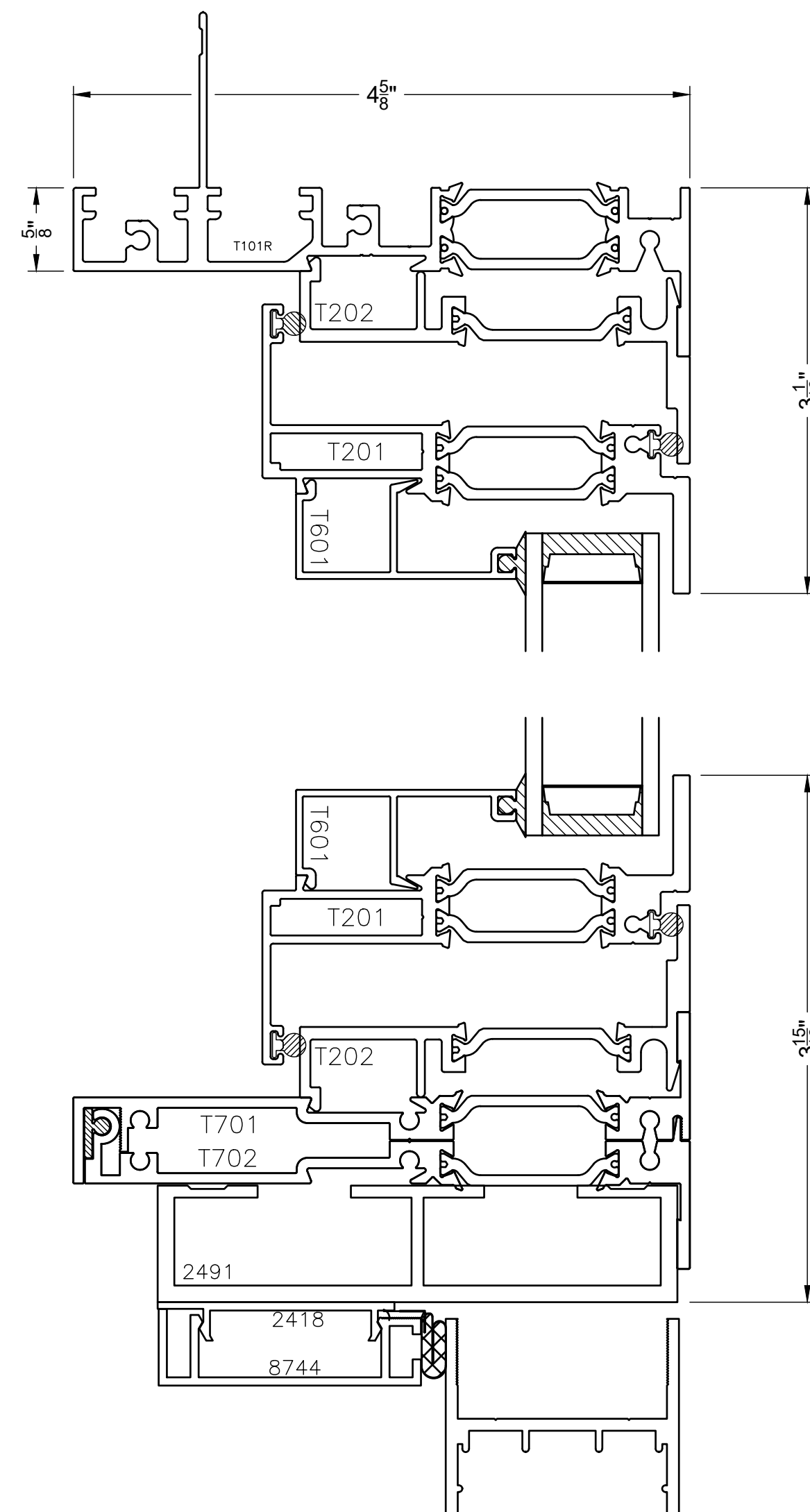


HOPPER TRANSOM

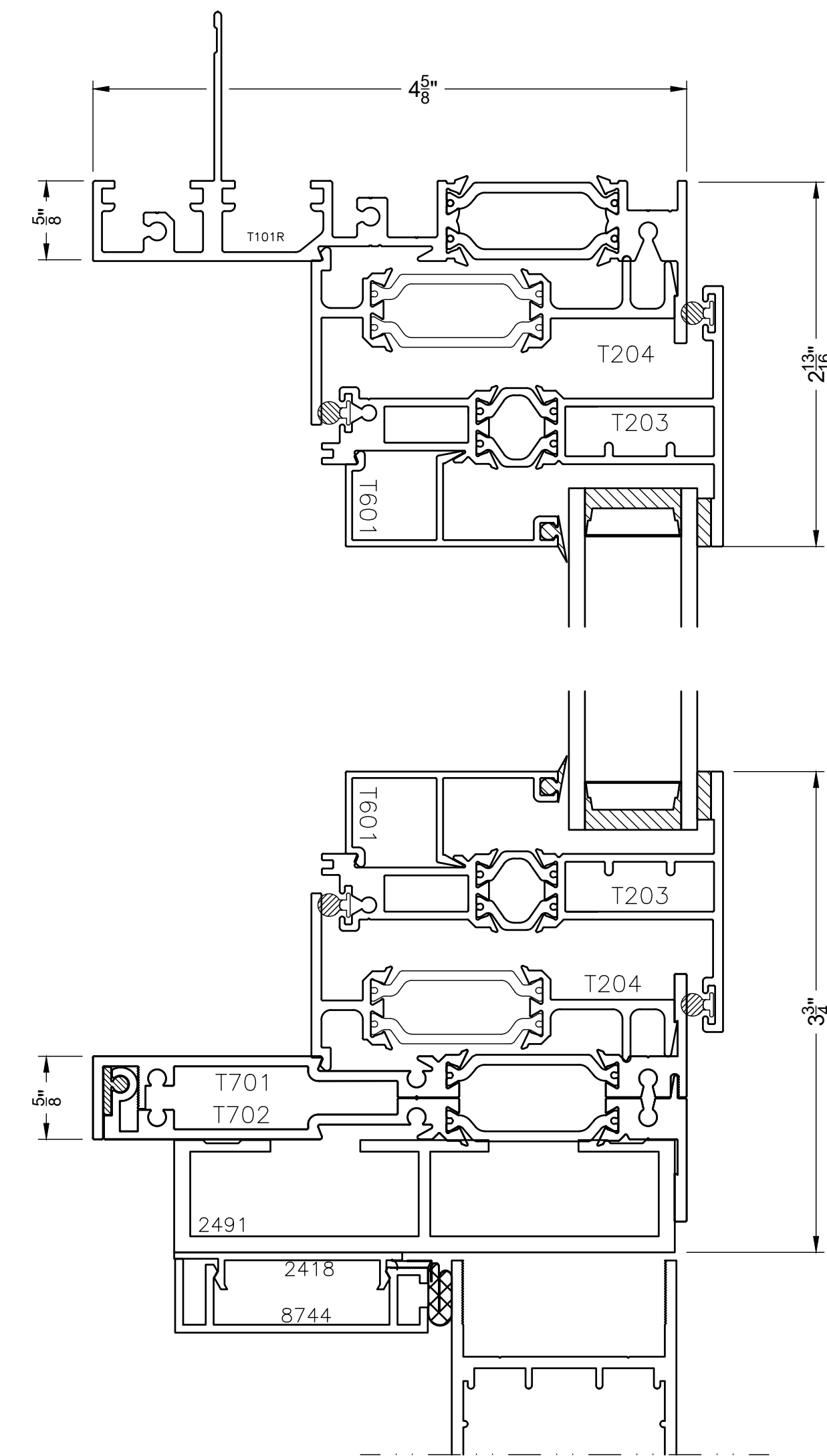
1 FIXED / SD - INSWING Scale 1:1



2 AWNING / SD - INSWING Scale 1:1



3 HOPPER / SD INSWING Scale 1:1



Scale: 1"=1"
Typical Details

VER.	DATE	CHANGE OR ADDITION
	5/23/23	

DRAWN BY: SD Team

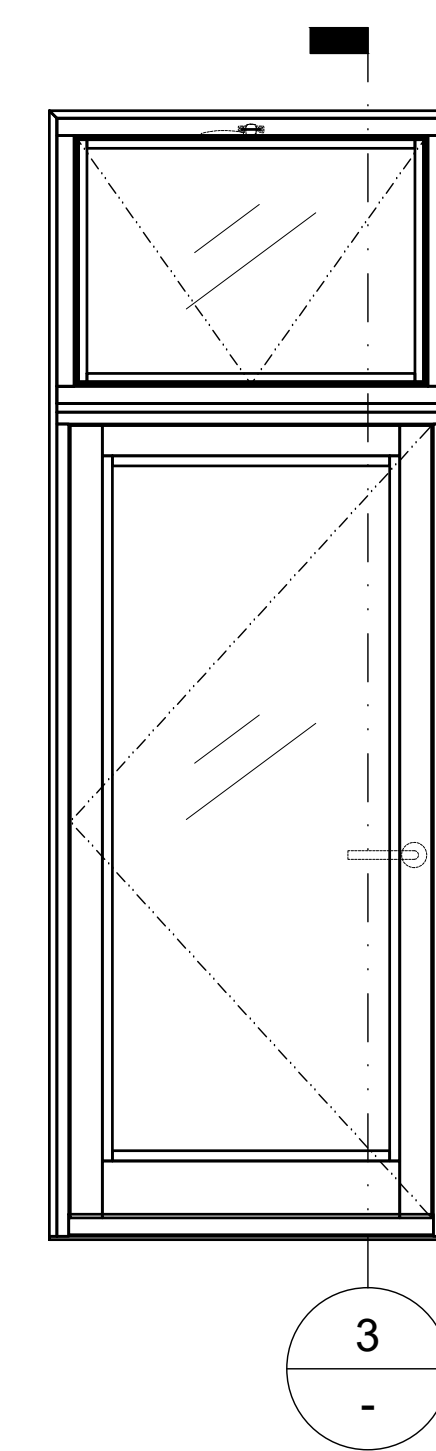
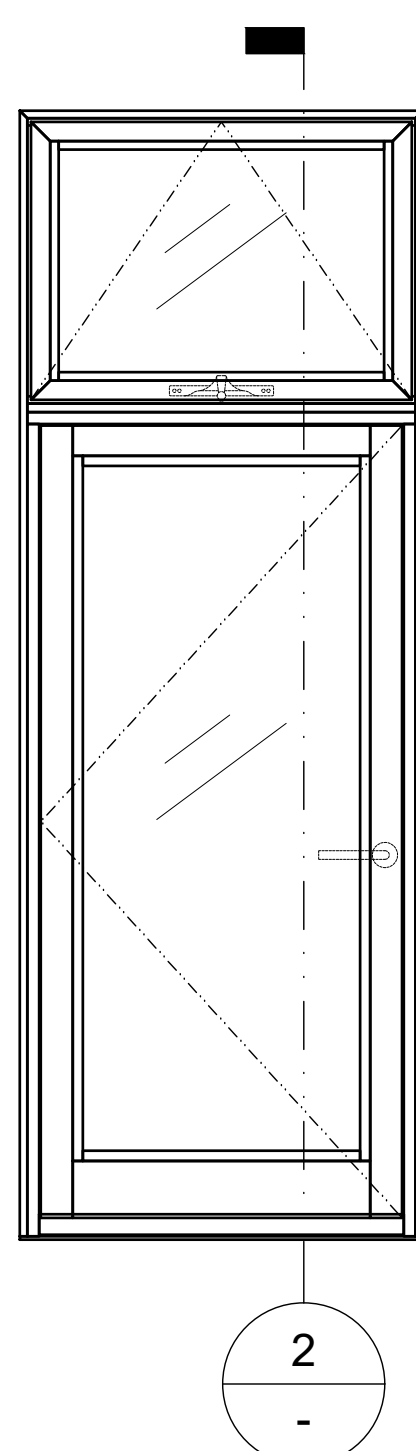
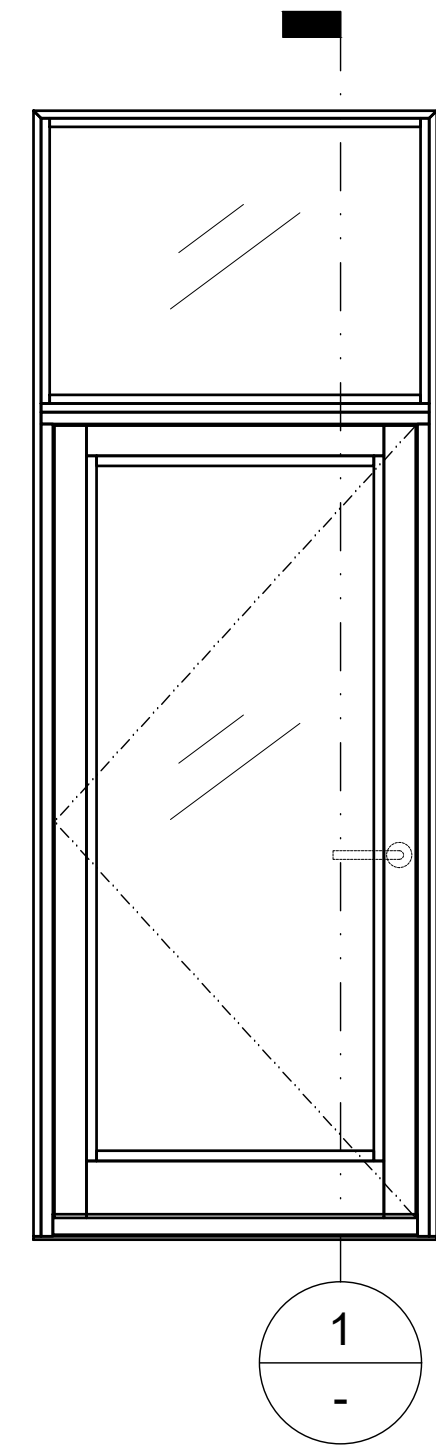
BLOMBERG

17

PLOT DATE 8/22/2023

ELEVATION

NTS



*Hardware location only shown on exterior elevations.

1 FIXED / SD - OUTSWING

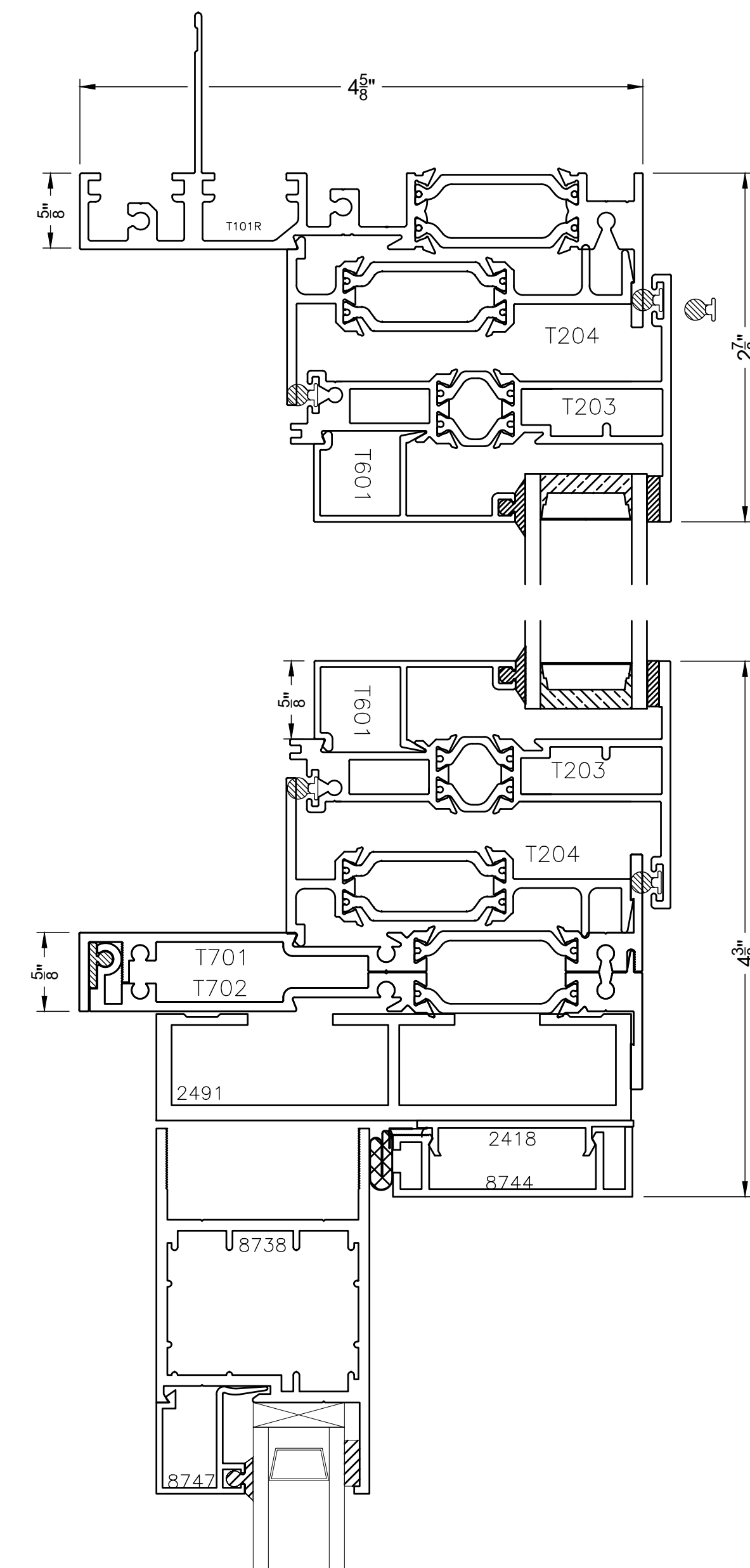
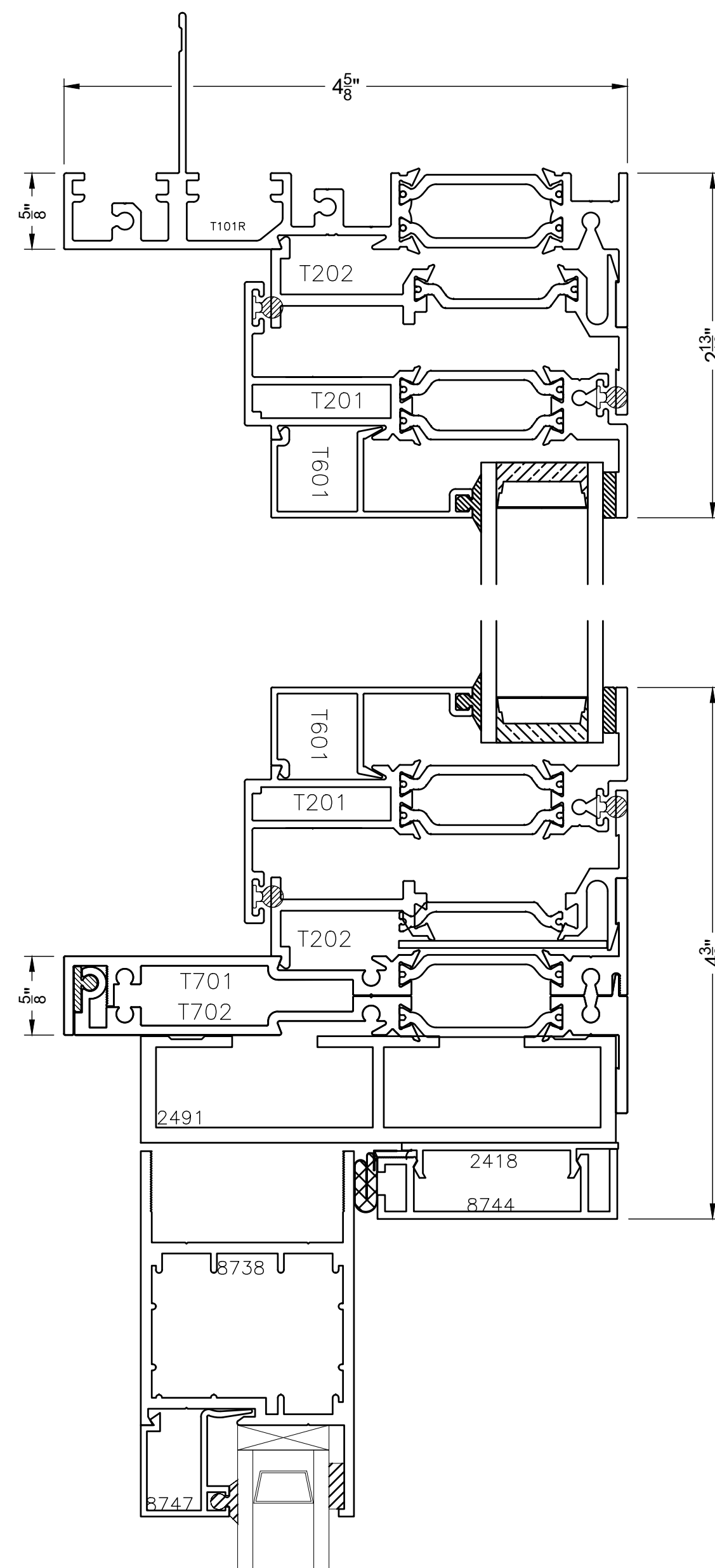
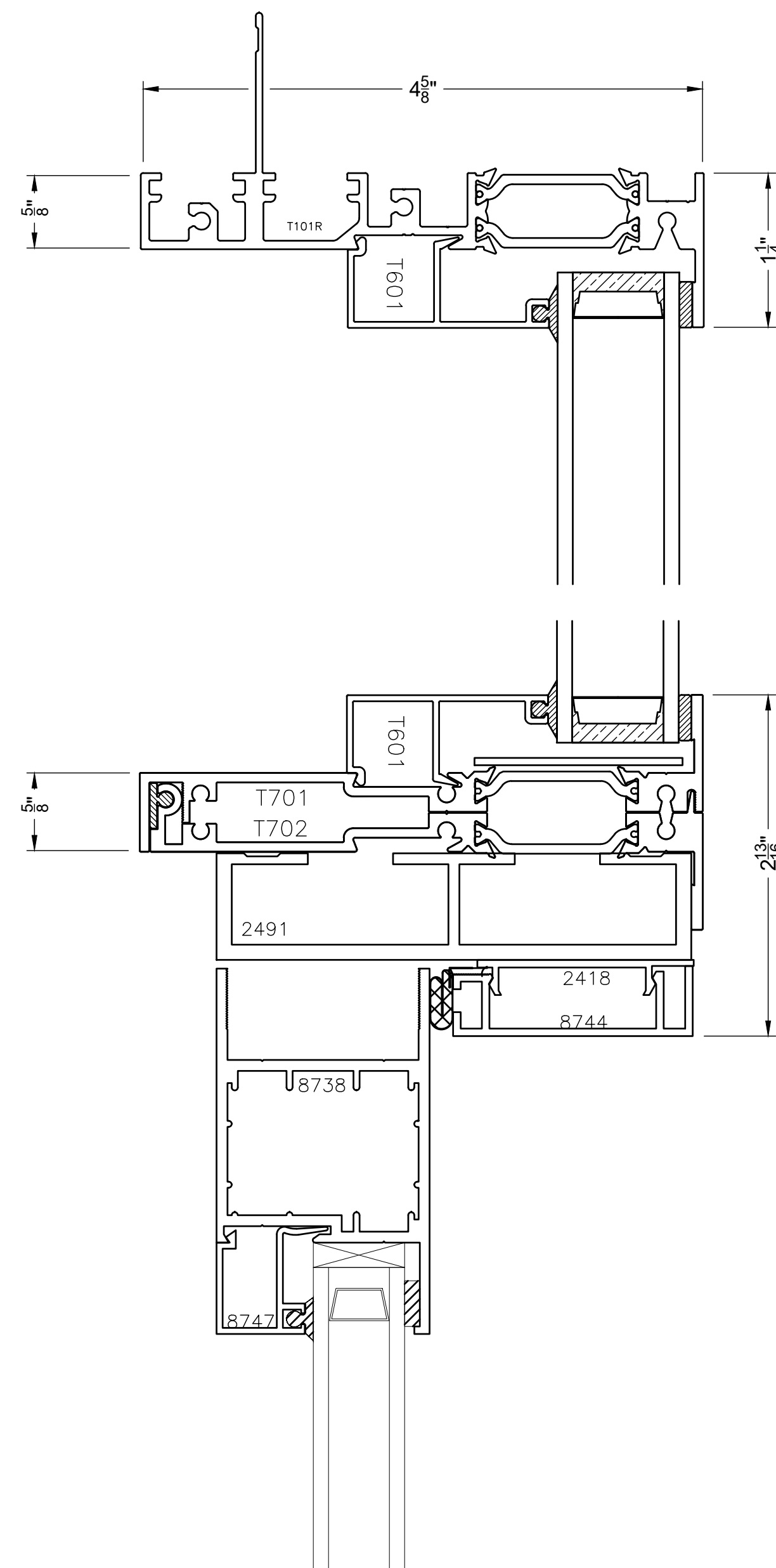
Scale 1:1

2 AWNING / SD - OUTSWING

Scale 1:1

3 HOPPER / SD OUTSWING

Scale 1:1



Scale: 1"=1"
Typical Details

T450 REVISED

VER.	DATE	CHANGE OR ADDITION
5/23/23		

DRAWN BY: SD Team

BLOMBERG
18

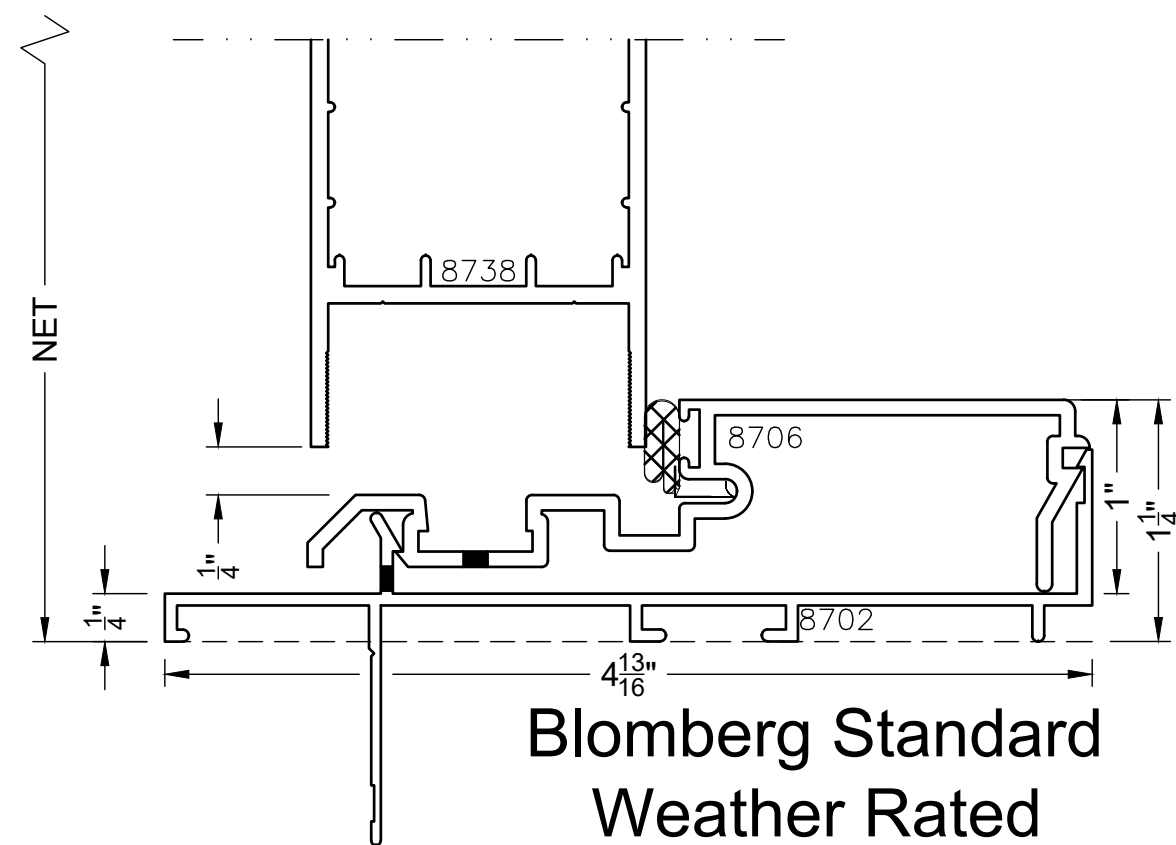
PLOT DATE 8/22/2023
16:36

Standard Outswing Sill

Scale 1:1

«EXTERIOR

INTERIOR»



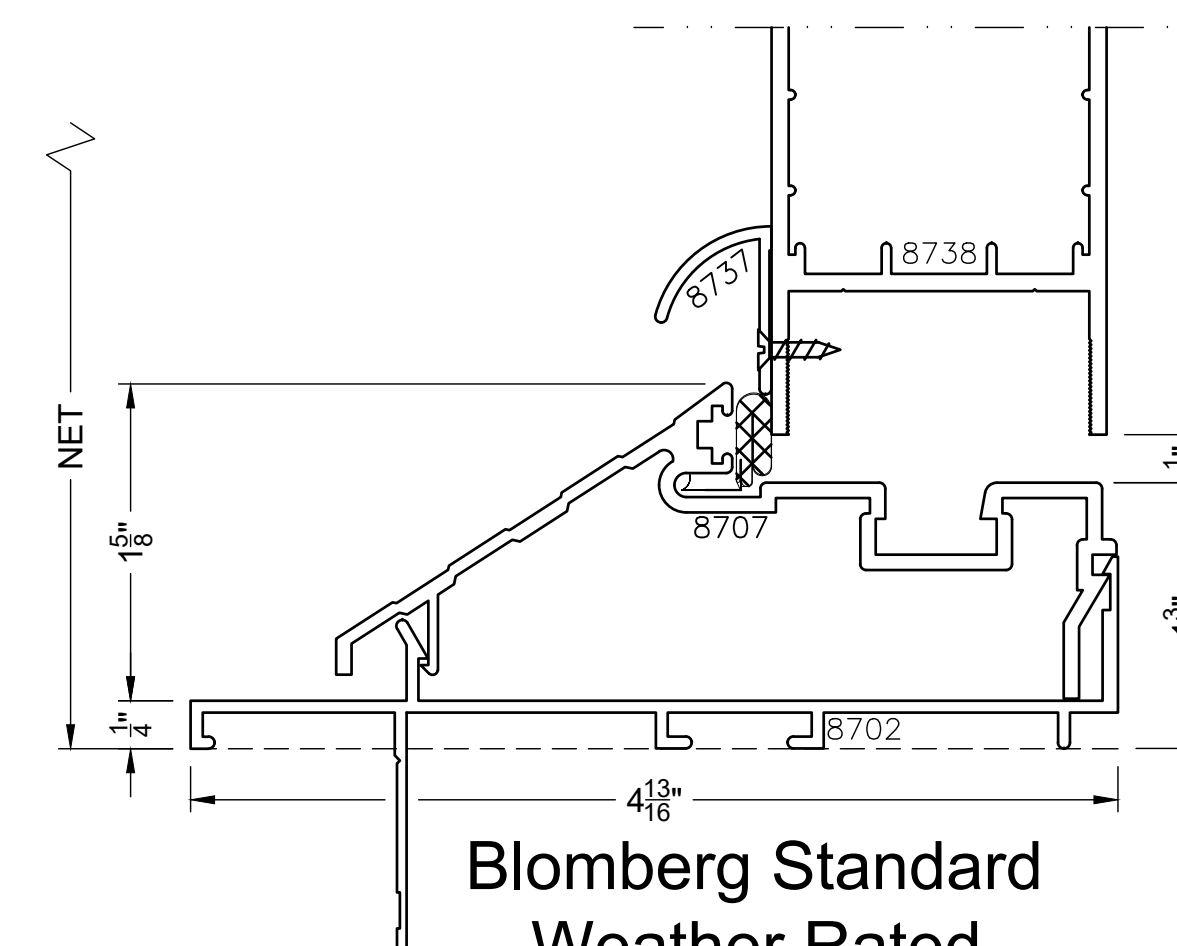
Blomberg Standard Weather Rated Low-Profile Sill

Standard Inswing Sill

Scale 1:1

«EXTERIOR

INTERIOR»



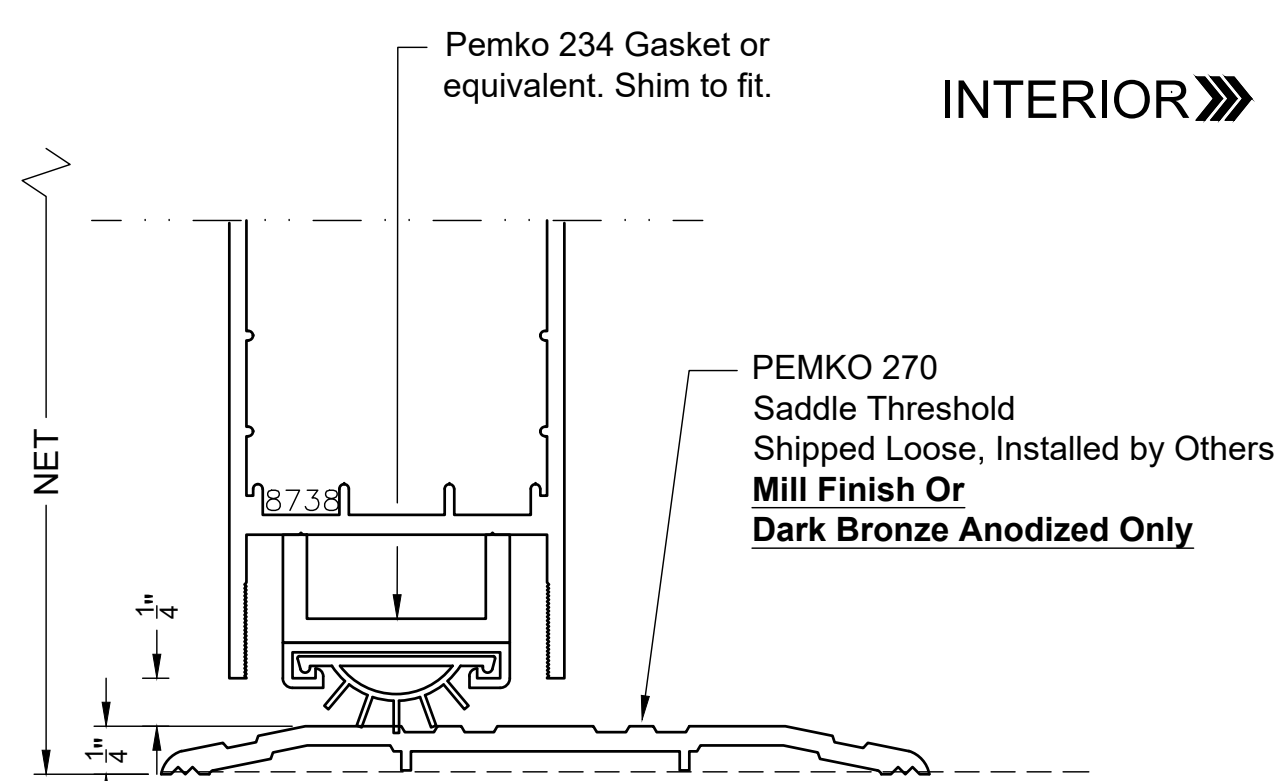
Blomberg Standard Weather Rated Low-Profile Sill

Outswing Pemko Sill

Scale 1:1

«EXTERIOR

INTERIOR»



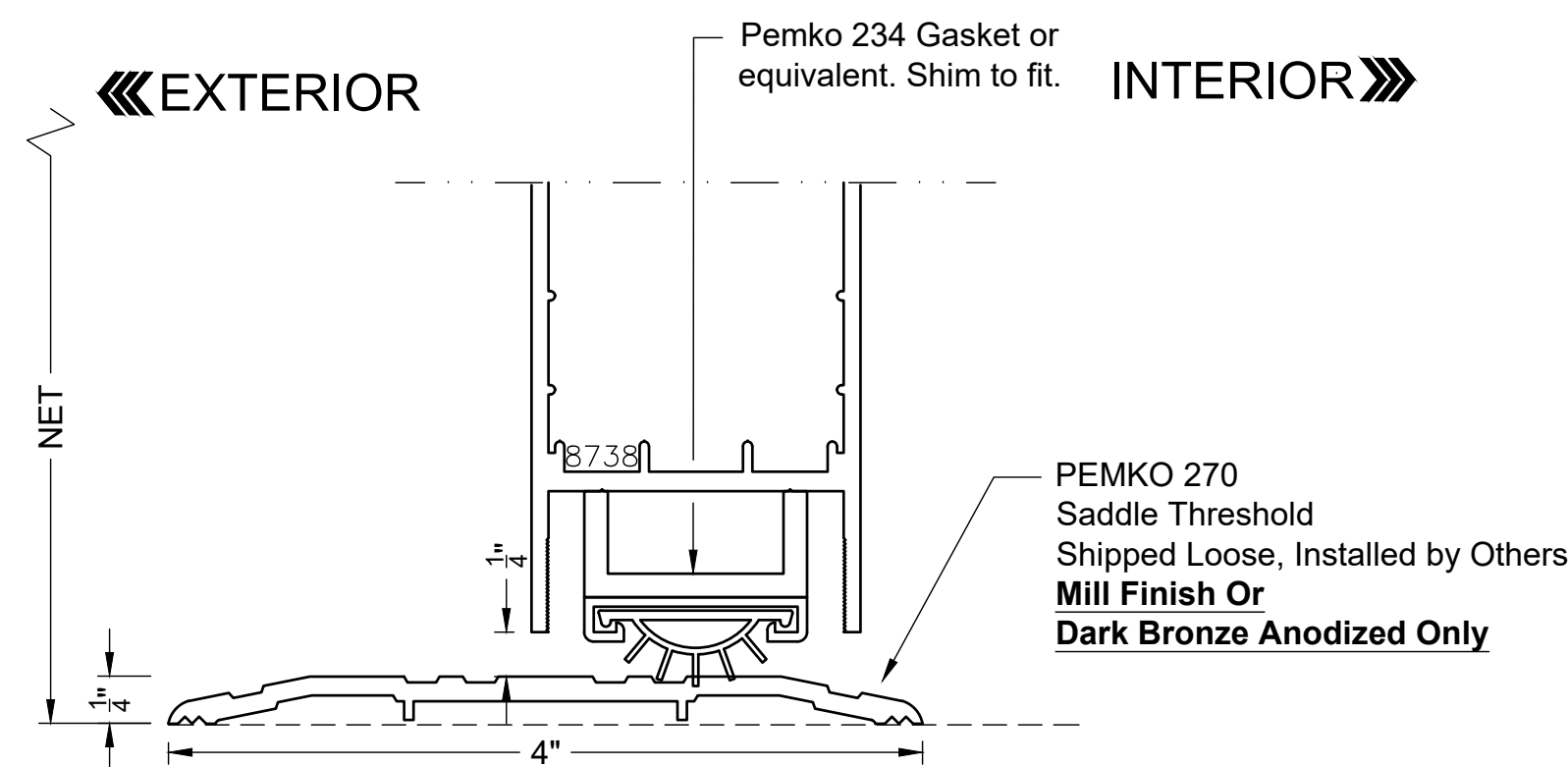
PEMCO Saddle is Not Weather Rated

Inswing Pemko Sill

Scale 1:1

«EXTERIOR

INTERIOR»



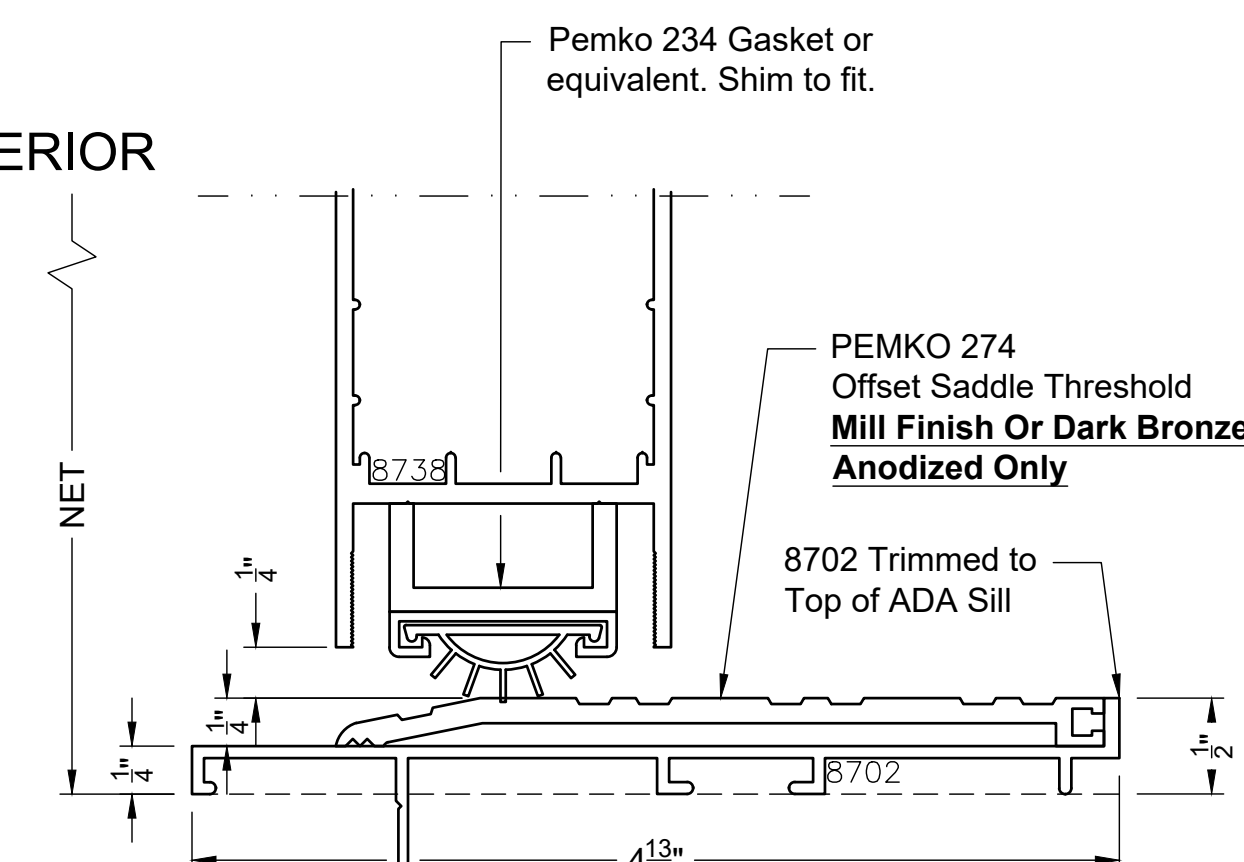
PEMCO Saddle is Not Weather Rated

Outswing Pemko Offset Saddle

Scale 1:1

«EXTERIOR

INTERIOR»



PEMCO Offset Saddle is Not Weather Rated

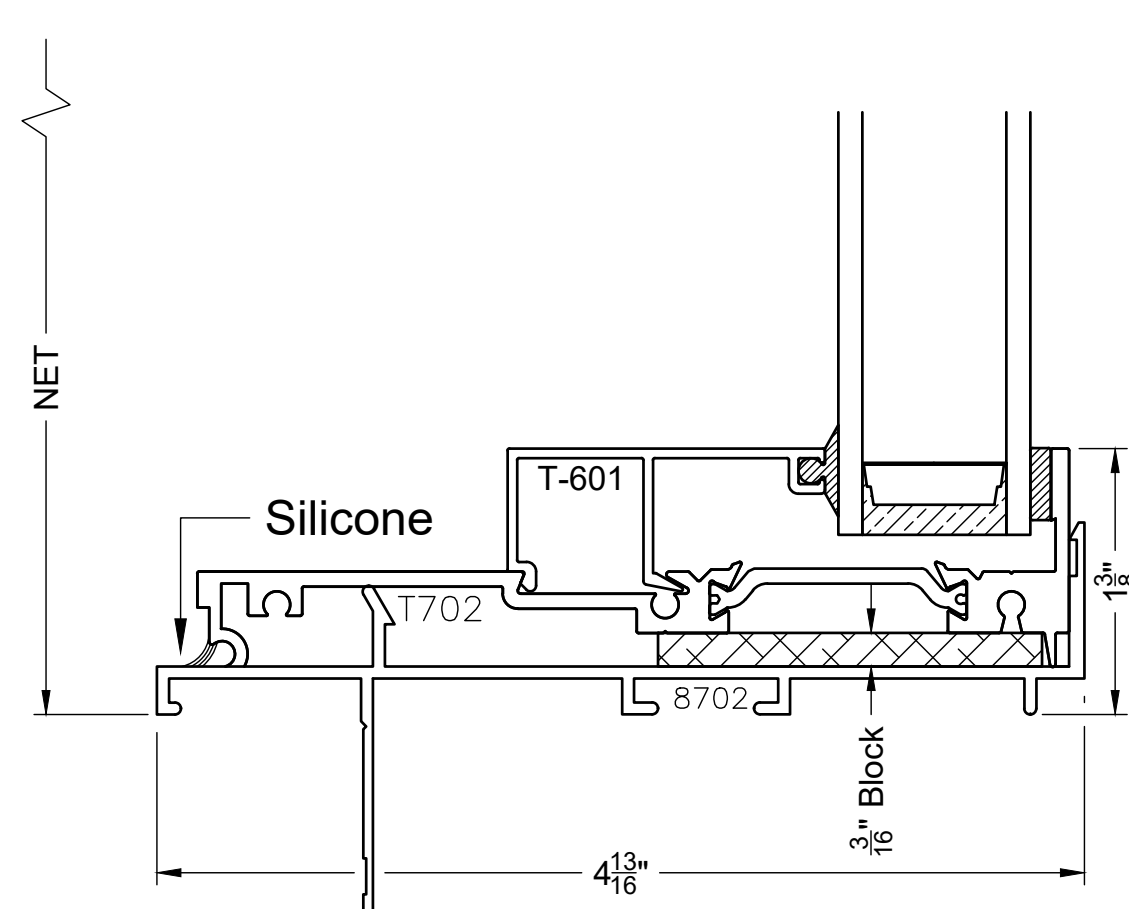
NOTE: NO WARRANTY FOR AIR / WATER INTRUSION AT NON-WEATHER RATED ADA SILLS

Sidelite Adapted Sill - FF

Scale 1:1

«EXTERIOR

INTERIOR»

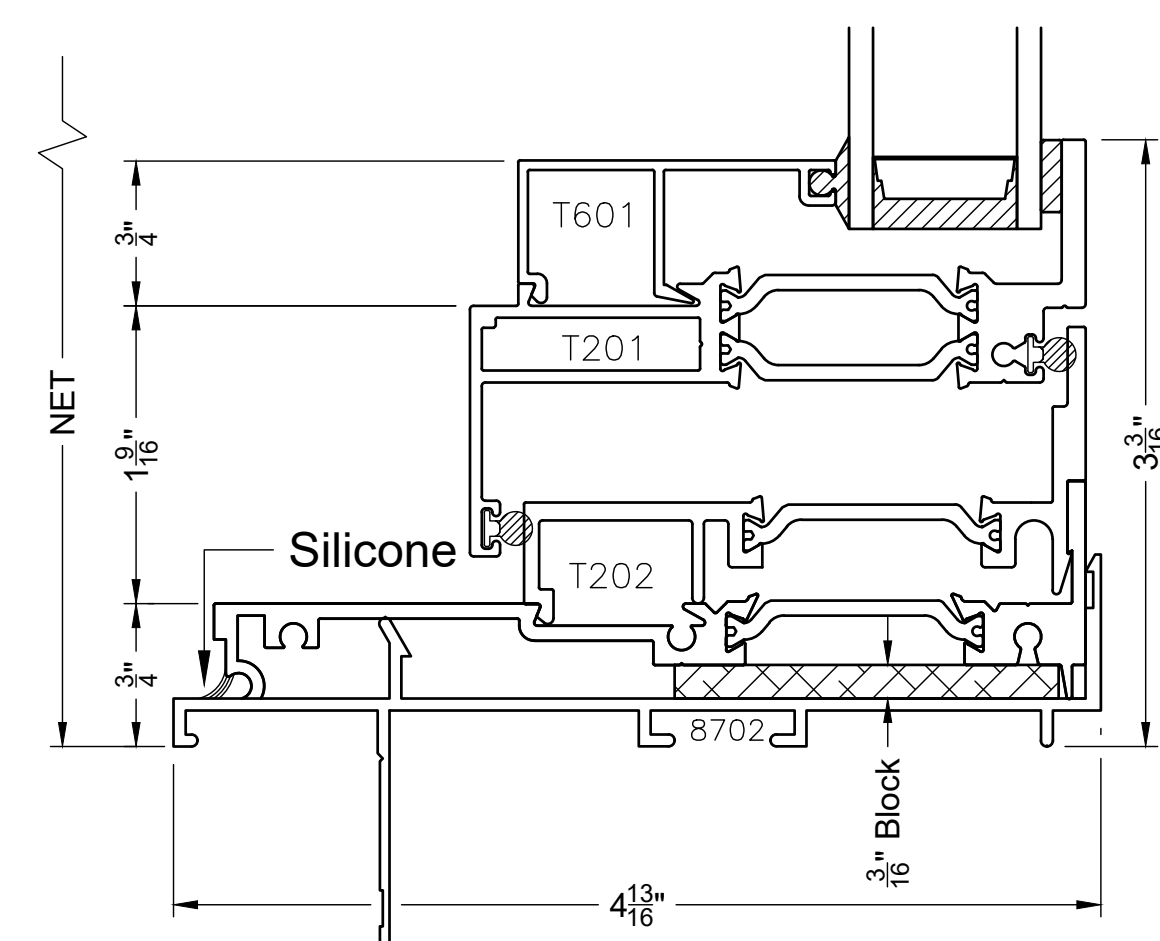


Sidelite Adapted Sill - Casement

Scale 1:1

«EXTERIOR

INTERIOR»

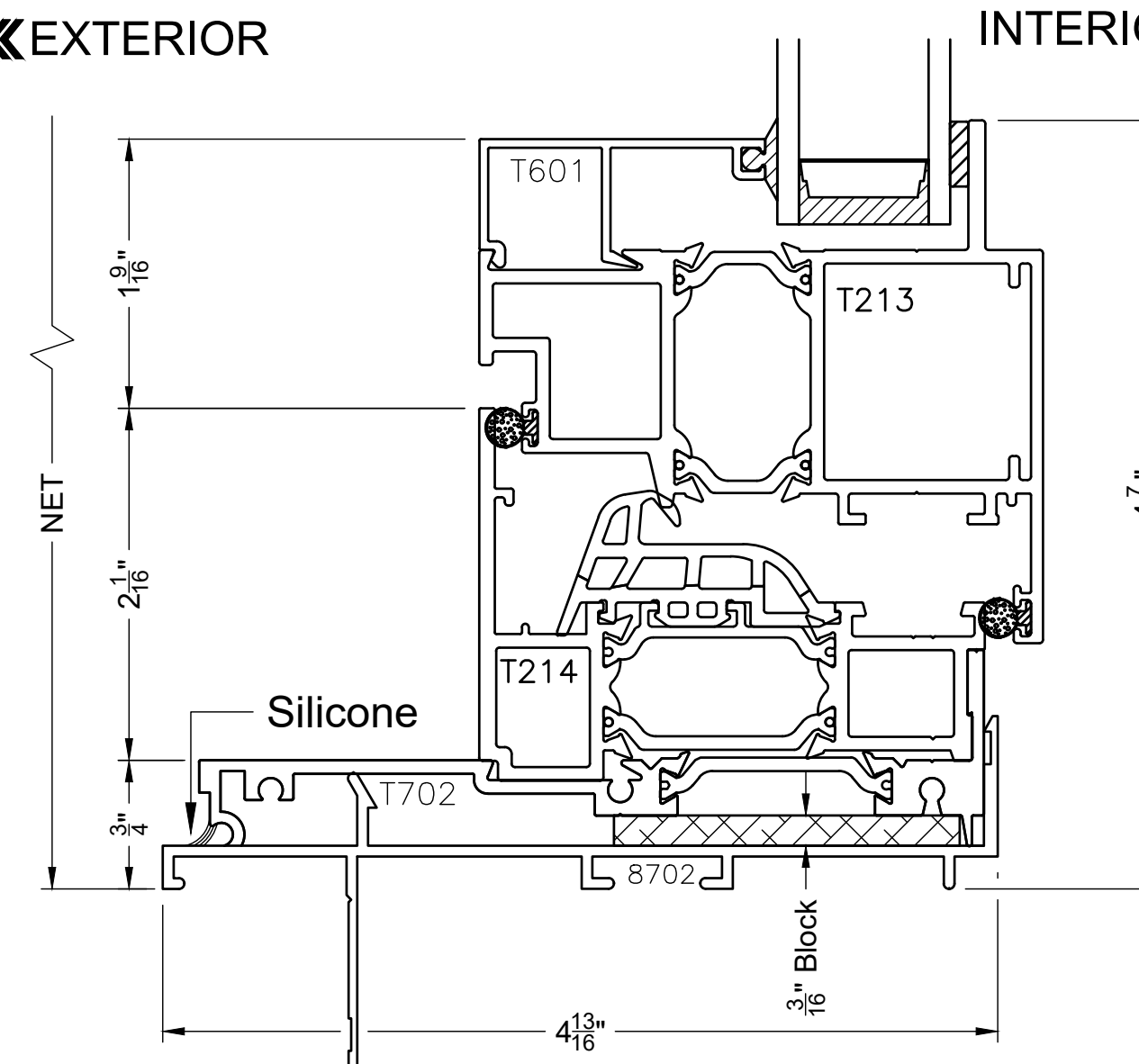


Sidelite Adapted Sill - XL Inswing

Scale 1:1

«EXTERIOR

INTERIOR»

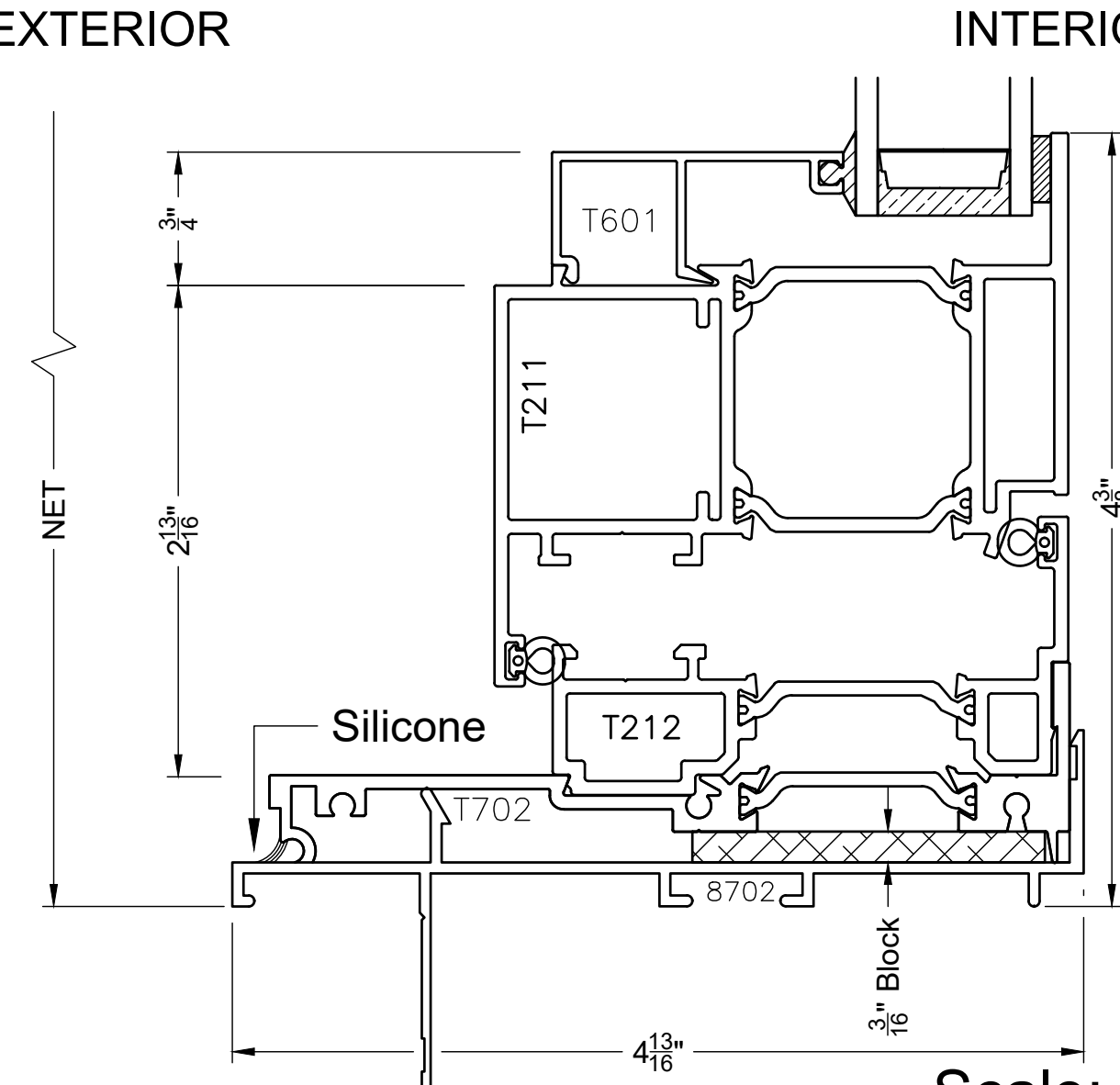


Sidelite Adapted Sill XL Outswing

Scale 1:1

«EXTERIOR

INTERIOR»



Scale: 1"=1"
Typical Details

VER.	DATE	CHANGE OR ADDITION
5/23/23		

DRAWN BY: SD Team